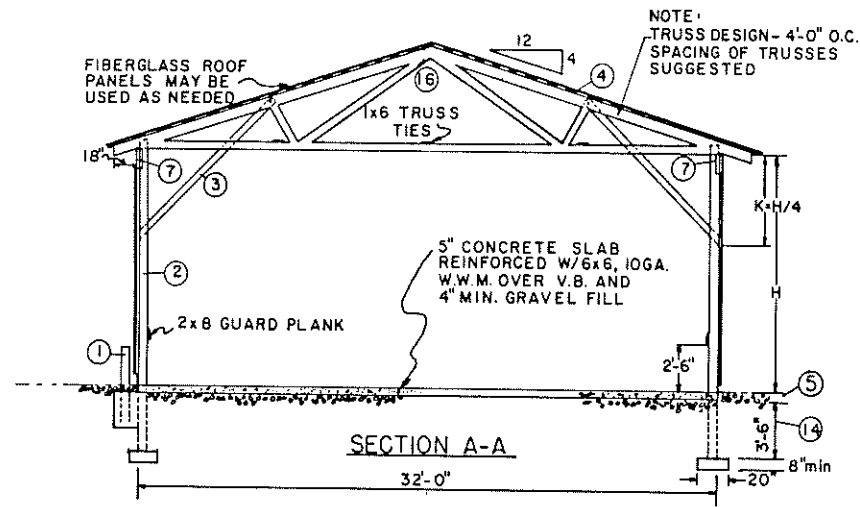
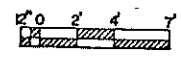


FLOOR PLAN



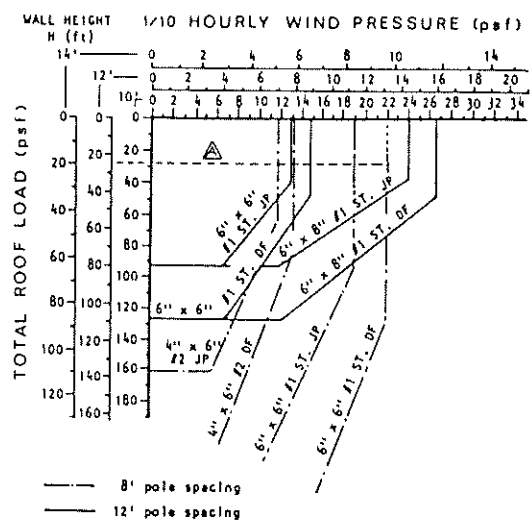
SECTION A-A



NOTE: BUILDING CAN BE SHORTENED OR LENGTHENED IN ACCORDANCE WITH POLE SPACING. * SEE POLE SPACING CHART.

- ① 6 x 6 x 6'-0" GUARD POST
- ② PRESSURE TREATED POLES - SEE POLE SELECTION CHART
- ③ KNEE BRACE - SEE SHEET 2
- ④ METAL ROOFING OVER PURLINS, SEE SHEET 2
- ⑤ 3'-0" WIDE x 4" DEEP COARSE GRAVEL SPLASH PAD, ALL AROUND BUILDING (SLOPE WITH GRADE)
- ⑥ INSULATION OF SHOP AREA OPTIONAL (SEE DETAIL ON SHEET 2) - DIFFICULT TO JUSTIFY UNLESS ADDING HEAT. EXHAUST VENTILATION MAY BE NEEDED WHEN WORKING WITH DOORS CLOSED.
- ⑦ GIRDER, STAGGER MEMBER END JOINTS 2' ON EITHER SIDE OF 8' O.C. POLES, 3' ON EITHER SIDE OF 12' O.C. POLES. GIRDER SIZE AND NAILING AS FOLLOWS: NOTCH INTO POLES

GIRDER MEMBERS	TOTAL ROOF LOAD (PSF)		# OF 3/4" NAILS, EACH SIDE OF JOINT, BOTH SIDES OF PLATE
	#2 SPRUCE	#2 DOUGLAS FIR	
POLES @ 8' O.C.			
2-2 x 6		30	2
2-2 x 8	32	50	4
2-2 x 10	52	78	6
2-2 x 12	80	117	9
POLES @ 12' O.C.			
2-2 x 10		35	4
2-2 x 12		53	6
2-2 x 8		26	3
2-2 x 10	28	45	4
2-2 x 12	48	69	6



⑮ POLE SELECTION CHART

NOTE: EXAMPLE: ASSUME MACHINERY STORAGE WITH H=12'-0"; WIND PRESSURE = 13 psf; SNOW LOAD = 20 psf.

FROM THE ABOVE CHART*-
 DEPENDING ON AVAILABILITY AND COST ANY OF THE FOLLOWING COULD BE USED:
 6x6 DOUGLAS FIR 8'-0" O.C.
 6x8 DOUGLAS FIR 12'-0" O.C.
 6x8 STRUCTURAL JACK PINE 12'-0" O.C.

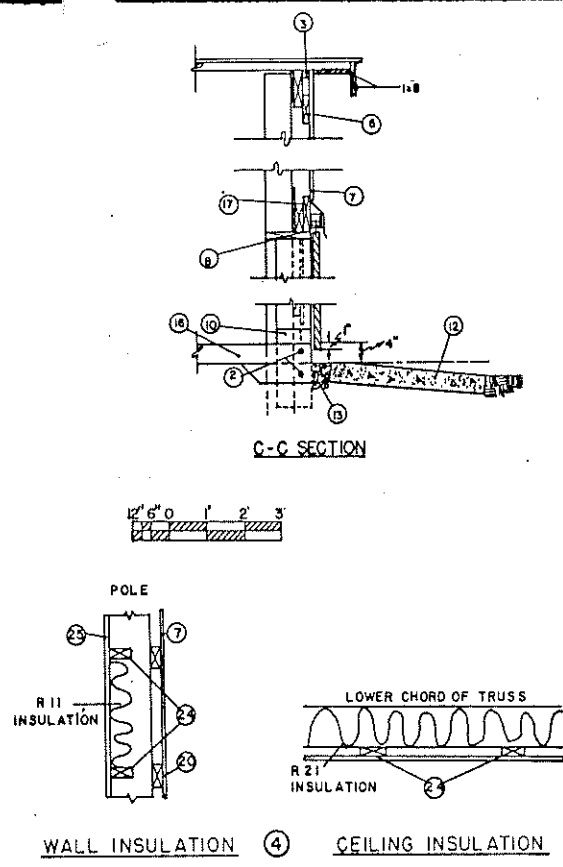
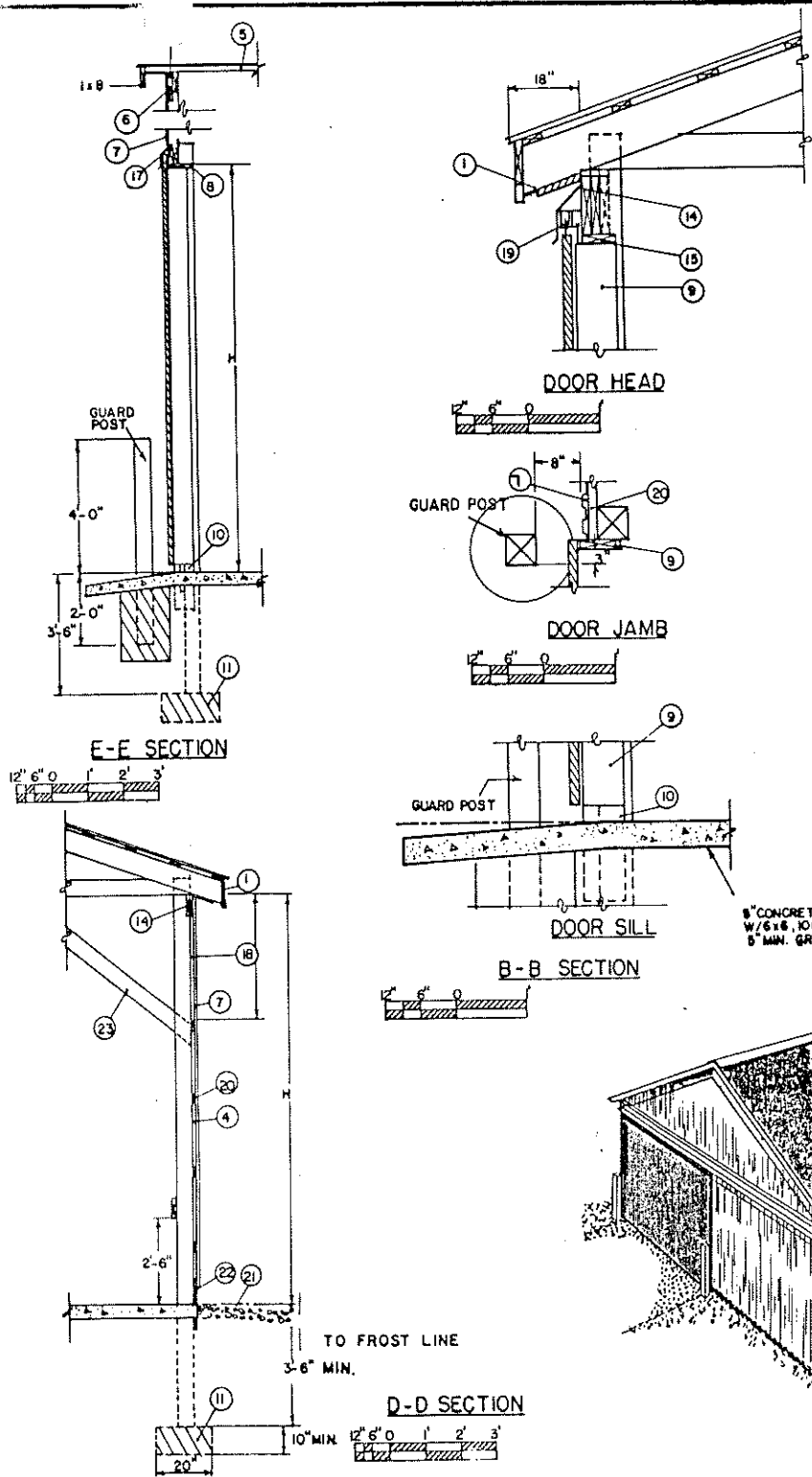
- ⑧ 3'-0" x 6'-8" DOOR
- ⑨ DOUBLE 7'-0" SIDE SLIDING DOORS (MAY BE WIDER IF DESIRED)
- ⑩ 12'-0" WIDE MACHINERY DOOR
- ⑪ 14'-0" WIDE MACHINERY DOOR (MAY BE WIDER)
- ⑫ DOOR JAMB AT SIDE DOOR IF REQUIRED
- ⑬ 2'-0" x 6'-0" MAN-DOOR IN SLIDING DOOR
- ⑭ INCREASE TO 5'-6" WHERE FROST PENETRATION EXCEEDS 4'-0"
- ⑮ POLE SELECTION CHART - APPLIES TO 32'-0" SPAN BUILDINGS WITH 4/12 DOUBLE SLOPED ROOF, KNEE BRACING AS INDICATED.
- ⑯ PURCHASE ROOF TRUSS TO SUIT LOCAL DESIGN LOADS, 32' SPAN, WITH 18" RAFTER EXTENSION AT EAVE. SPECIFY 4' O.C. SPACING

COOPERATIVE EXTENSION SERVICE
 AGRICULTURE AND HOME ECONOMICS

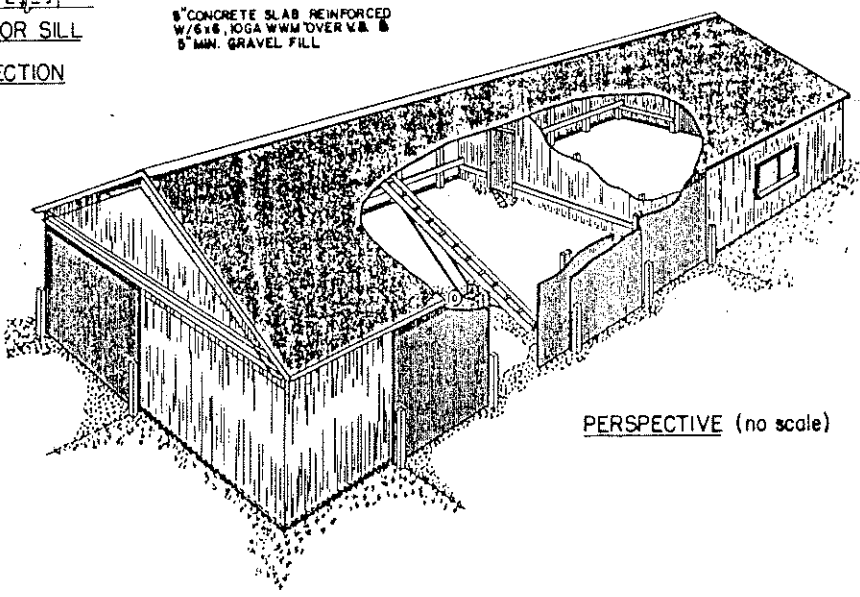
AND
 UNITED STATES DEPARTMENT OF AGRICULTURE COOPERATING

MACHINERY STORAGE
 (WITH SIDE OPENING DOORS)

MD. 1987	6392	SHEET 1 OF 2
----------	------	--------------



1. 1 x 10 FACE BOARD, 2" SCREENED AIR INLET AND 3/4" PLYWOOD OR LUMBER SOFFIT
 2. 2-4" DIA. REBARS CONTINUOUS UNDER DOORKAYS
 3. 2 x 2 BLOCKING
 4. FOR INSULATED SHOP WALL, SEE INSULATION DETAIL
 5. METAL ROOFING OVER 2 x 4 x 16'-0" PURLINS, 24" O.C. MAX. FOR ROOF LOADS UP TO 30LBS/FT² - 16" O.C. FOR 45 LB/FT²
 6. 2 x 6 GIRTS MAILED TO END TRUSS
 7. VERTICAL METAL SIDING
 8. 2 x 10 HEAD JAMB
 9. 2 x 8 SIDE JAMB OR WIDER AS NEEDED TO COVER POST AND PLATES (BEAMS)
 10. 2 x 6 x 1'-0" LONG PRESSURE TREATED DOOR STOP AT EACH SIDE OF DOOR
 11. ROUND CONCRETE FOOTING, EACH POLE
 12. 4" CONCRETE PAD, 3'-0" WIDE x 14'-0" LONG, IN FRONT OF DOOR, SLOPE WITH GRADE
 13. GRAVEL FILL TO ALLOW FOR MOVEMENT OF CONCRETE PAD
 14. GIRDER: IF A THIRD MEMBER IS REQUIRED, FIT BETWEEN POLES AND SUPPORT ON 2" SIDE JAMB, SEE SHEET 1. NOTCH INTO POLES 2" MIN. DEPTH
 15. 2 x 6 HEAD JAMB
 16. 5" CONCRETE FLOOR IN INSULATED WORKSHOP AREA, THICKEN CONCRETE AT DOOR, CONSTRUCTION JOINTS 20'-0" O.C. BOTH WAYS
 17. 2 x 8 DOOR HEADER
 18. SELECT FROM CHART BELOW AND FIT SCAB BETWEEN OUTER GIRDER MEMBER AND TOP MAILING GIRT. CENTER SCAB SIZE, NAIL AS SECURELY AS POSSIBLE WITH 40d NAILS.
- | GIRDER MEMBER | 4 x 6 POLE | 6 x 6 OR 6 x 8 POLE |
|----------------|------------|---------------------|
| #2 SPRUCE | | |
| 2x8 | 2x4x20" | 2x6x12" |
| 2x10 | 2x4x30" | 2x6x18" |
| 2x12 | | 2x6x24" |
| #2 DOUGLAS FIR | | |
| 2x8 | 2x4x24" | 2x6x15" |
| 2x10 | 2x4x36" | 2x6x24" |
| 2x12 | | 2x6x30" |
19. DOUBLE TRACK FOR SLIDING DOORS
 20. 2 x 4 NAILING GIRTS @ 24" O.C. FROM SCAB DOWNWARD
 21. 3'-0" WIDE x 5" DEEP COARSE GRAVEL SPLASH PAD, ALL AROUND BUILDING (SLOPE WITH GRADE)
 22. 3 - 2x6x16'-0" T&G PRESSURE TREATED SPLASH PLANKS: STAGGER JOINTS AT 8' O.C. ON POLES
 23. DOUBLE 2 x 6 KNEE BRACE, ON 2 x 6 LAPS POLE AND BUTTS TRUSS, OTHER ONE BUTTS POLE AND LAPS TRUSS (BRACES @ 8' O.C. EXCEPT WHERE POLES ARE 12' O.C. @ DOORS)
 24. 2 x 4 NAILING GIRTS 24" O.C. FOR FASTENING
 25. GALVANIZED STEEL OR OTHER FIRE RETARDENT INTERIOR SHEET MATERIAL



PERSPECTIVE (no scale)