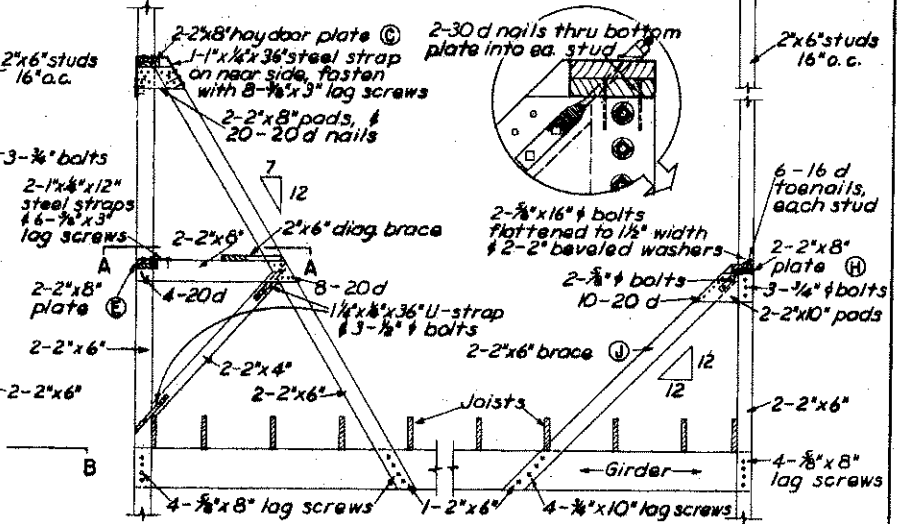
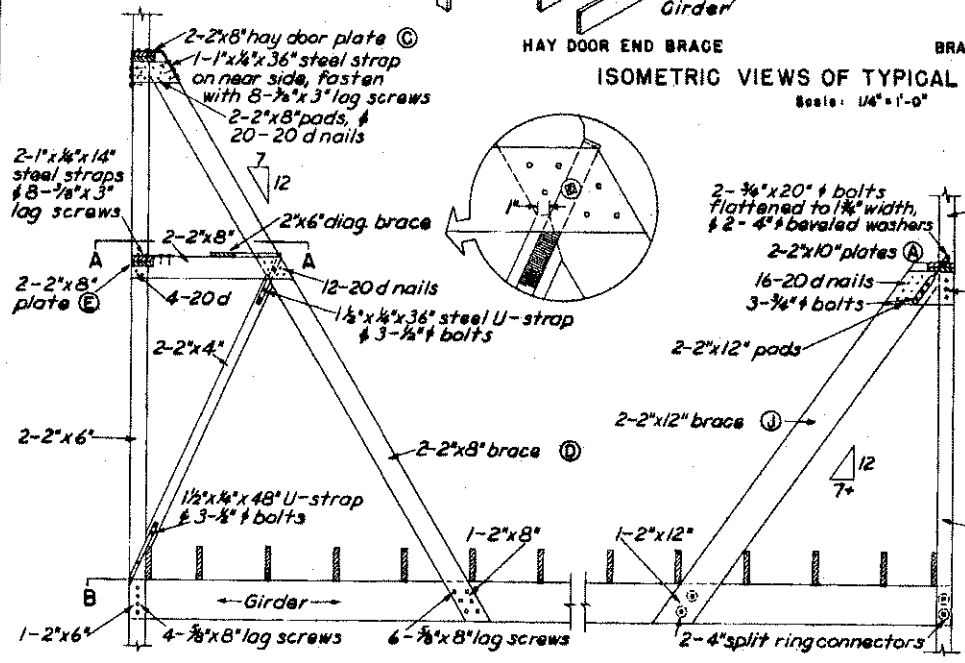
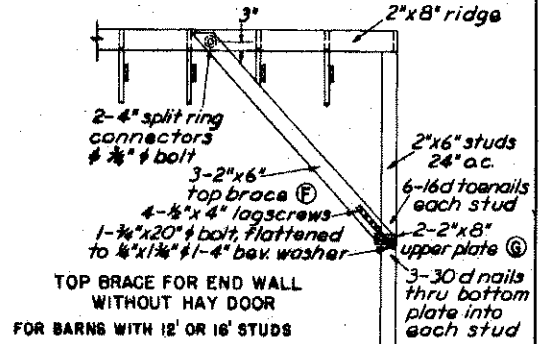


PLAN AT A-A

HAY DOOR END BRACE

BRACE FOR END WITHOUT HAY DOOR

ISOMETRIC VIEWS OF TYPICAL INSTALLATION  
Scale: 1/4"=1'-0"



WALL WITH HAY DOOR

WALL WITHOUT HAY DOOR

ELEVATIONS

WALL WITH HAY DOOR

WALL WITHOUT HAY DOOR

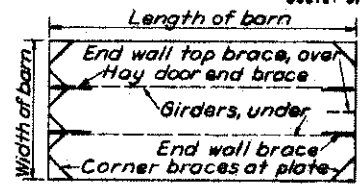
END WALL BRACES FOR BARN WITH 12'-0" STUDS  
Scale: 3/8"=1'-0"



PLAN AT B-B  
SIMILAR FOR BARN WITH 12'-0" STUDS

END WALL BRACES - FOR BARN WITH 16'-0" STUDS

Scale: 3/8"=1'-0"



PLAN AT PLATE  
ARRANGEMENT DIAGRAM

COOPERATIVE EXTENSION WORK IN AGRICULTURE AND HOME ECONOMICS  
STATE OF NORTH DAKOTA  
NORTH DAKOTA AGRICULTURAL COLLEGE  
AND  
UNITED STATES DEPARTMENT OF AGRICULTURE COOPERATING

**END WALL BRACES - GAMBREL BARN HURRICANE AREAS**

USDA '48 EXL 5639 SHEET 1 OF 1