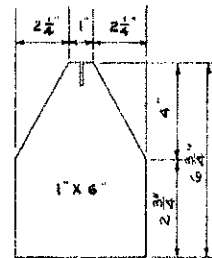
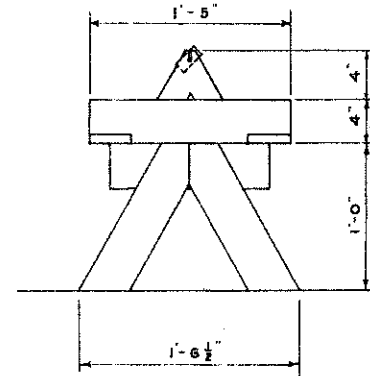


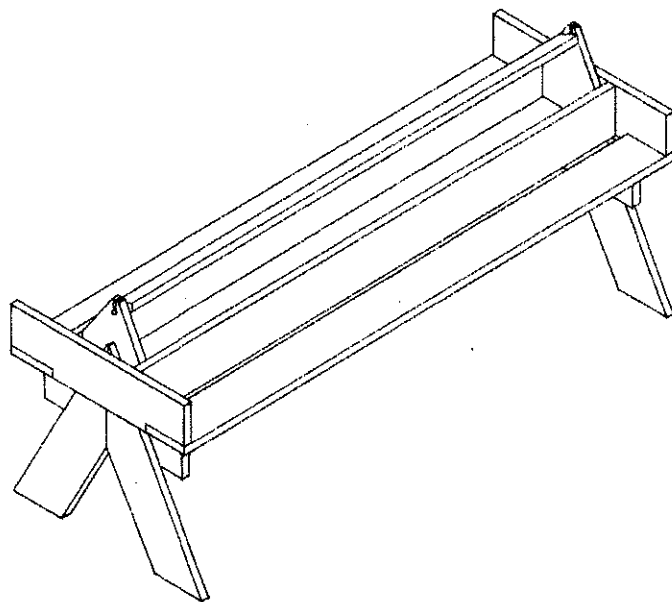
SIDE ELEVATION
SCALE $1\frac{1}{2}''=1'-0''$



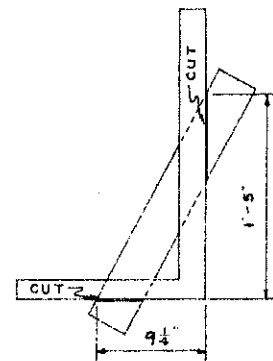
DETAIL OF END
BOARDS
SCALE $3''=1'-0''$



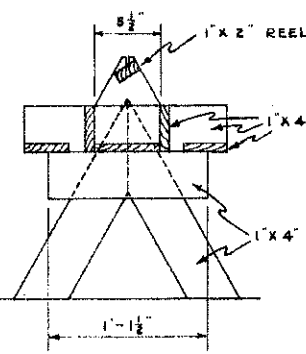
END ELEVATION
SCALE $1\frac{1}{2}''=1'-0''$



ISOMETRIC VIEW
SCALE $1\frac{1}{2}''=1'-0''$



DETAIL FOR CUTTING
LEG BOARDS
SCALE $1\frac{1}{2}''=1'-0''$



SECTION
SCALE $1\frac{1}{2}''=1'-0''$

BILL OF MATERIALS

NO	PCS	SIZE	DESCRIPTION
1		1"X4"X8'-0"	LEGS
1		1"X6"X6'-0"	TROUGH
1		1"X4"X8'-0"	TROUGH
1		1"X4"X12'-0"	TROUGH
1		1"X2"X4'-0"	REEL

COOPERATIVE EXTENSION WORK IN
AGRICULTURE AND HOME ECONOMICS
STATE OF NORTH DAKOTA
NORTH DAKOTA AGRICULTURAL COLLEGE
AND
U. S. DEPT. OF AGRICULTURE COOPERATING
EXT. AGR'L. ENGINEER- FARGO, N. DAK.

INSIDE FEEDER FOR POULTRY

MIDWEST 77/12 BUREAU 5394 SHEET 1 OF 1