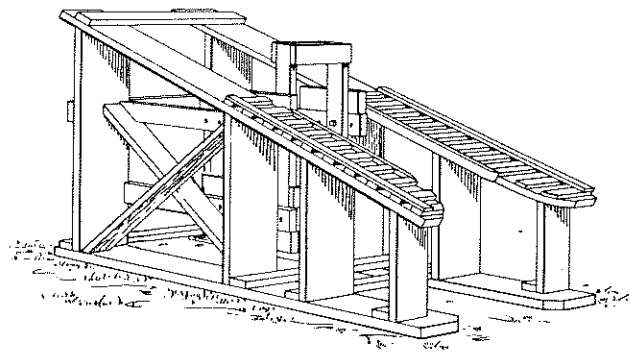
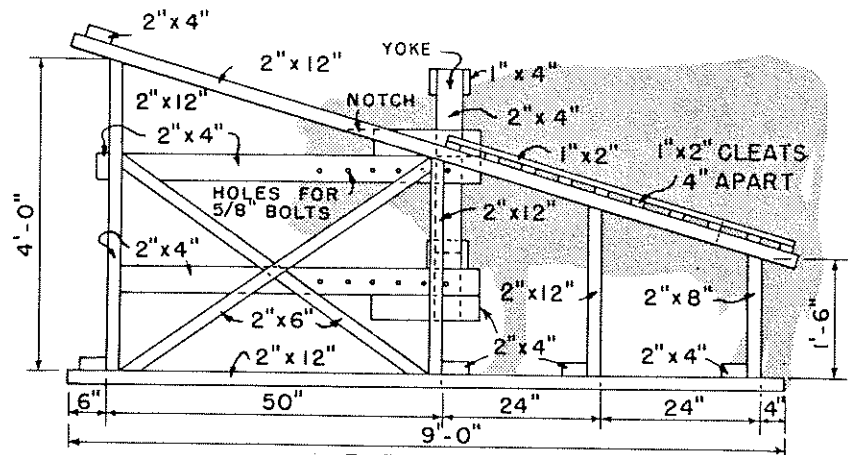


5037

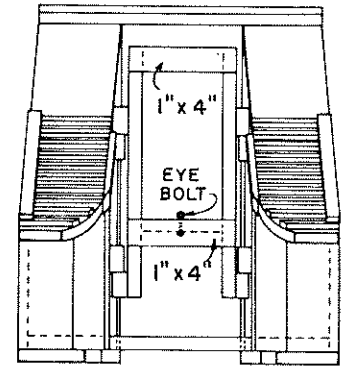


PERSPECTIVE

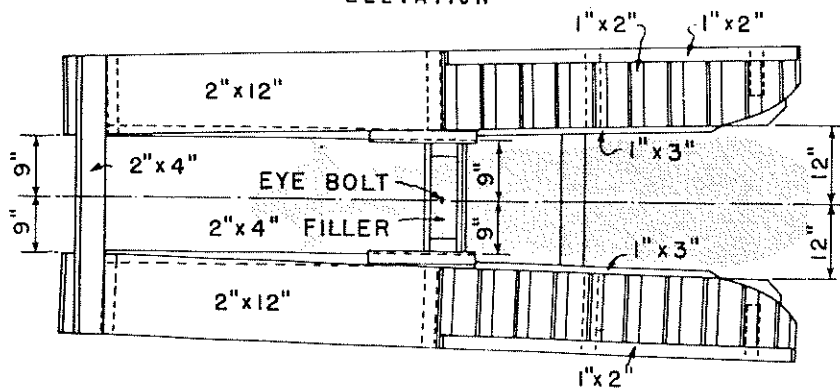
- LIST OF MATERIALS**
- 2—2" x 12" x 10'-0" bases
  - 2—2" x 12" x 10'-0" uprights
  - 1—2" x 8" x 6'-0" upright
  - 1—2" x 4" x 12'-0" bottom tie
  - 2—2" x 6" x 10'-0" diagonal braces
  - 2—2" x 4" x 12'-0" extension bars
  - 2—2" x 12" x 10'-0" foot rests
  - 1—2" x 4" x 8'-0" end tie
  - 1—2" x 4" x 10'-0" yoke
  - 1—1" x 4" x 6'-0" yoke
  - 1—1" x 3" x 8'-0" foot guard
  - 30—lin. ft. 1" x 2" cleats
  - 6—lbs. 20d nails
  - 2—lbs. 10d nails
  - 1— $\frac{1}{4}$ " eye bolt 4" long 1 $\frac{1}{2}$ " eye



ELEVATION



END VIEW



TOP VIEW

NOTE:  
 THE YOKE MAY BE MOVED FORWARD OR BACK TO SUIT SIZE OF ANIMAL.  
 ALL WOOD SHOULD BE TREATED WITH PRESERVATIVE.

**CATTLE BREEDING RACK**  
**PLAN NO. 5037**  
 ( 1 SHEET )

5142