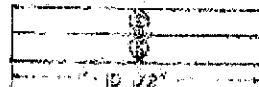
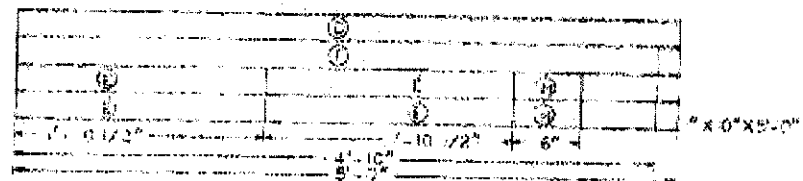


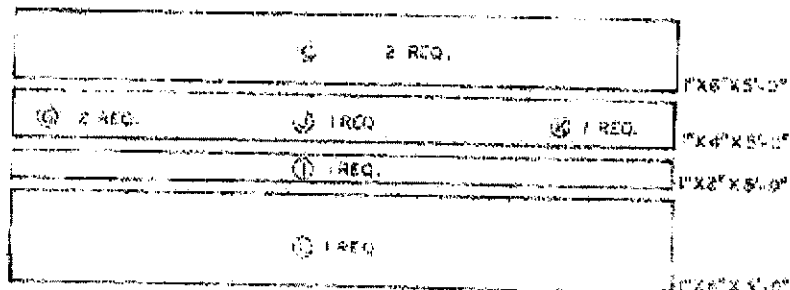
SCALE 1/2" = 1'-0"



1' X 8' X 2'-0"

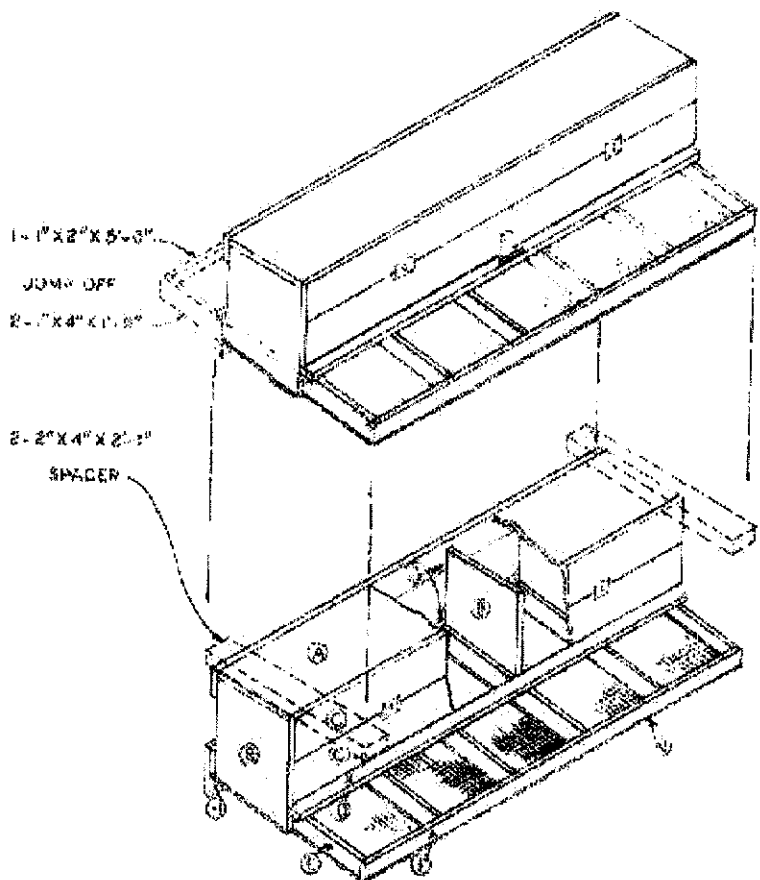


1' X 0' X 8'-0"



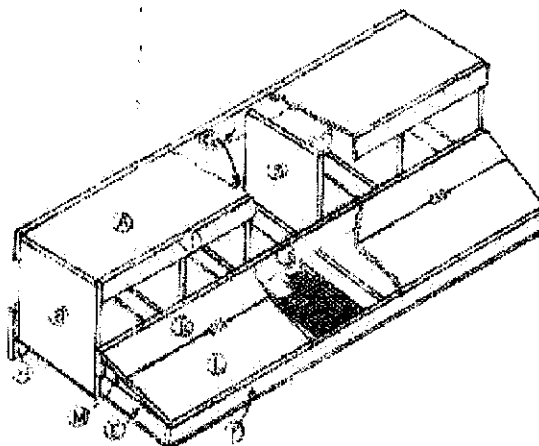
1' X 4' X 5'-0"

NOTE: USE 3" STRAP HINGES
 DASHED PARTS FOR STACKS ONLY
 BOTTOM- 1/2" HARDWARE CLOTH
 TOP WIRE RUNS FRONT TO BACK
 LATCH MADE OF CUT-OFFS
 (11) 7/8" LATH STRIPPING TO HOLD SCREEN



REVERSE ROLL-A-WAY

SCALE 1/4" = 1'-0"



ROLL-A-WAY

ROLL-A-WAY NEST

EXTENSION SERVICE

SOUTH DAKOTA STATE COLLEGE
 U.S. DEPARTMENT OF AGRICULTURE
 CO. OPERATIONS

DESIGNED BY _____ SHEET 1 OF _____
 APPROVED BY _____ NO. _____
 DRAWN BY _____

SCALE AS NOTED