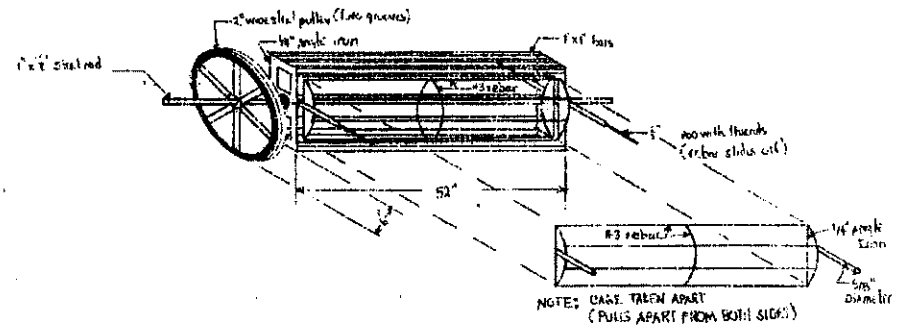
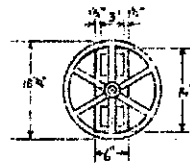
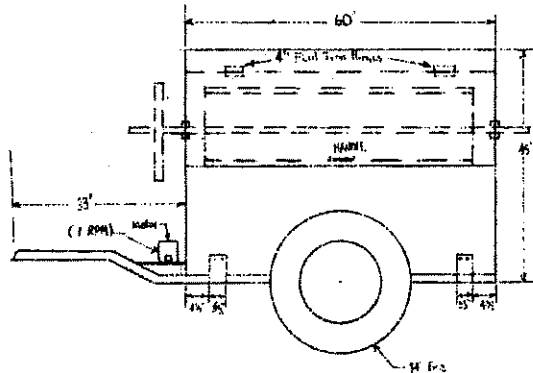
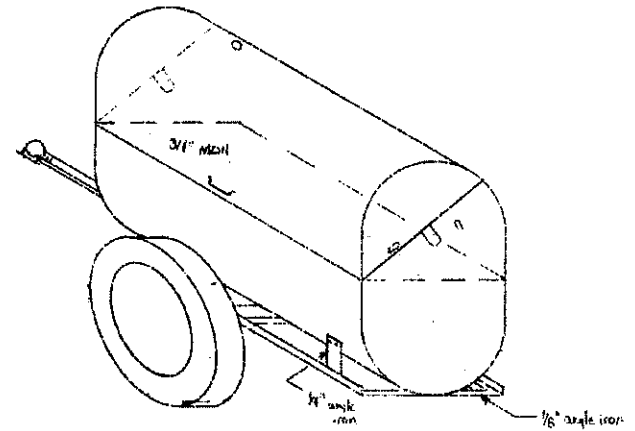
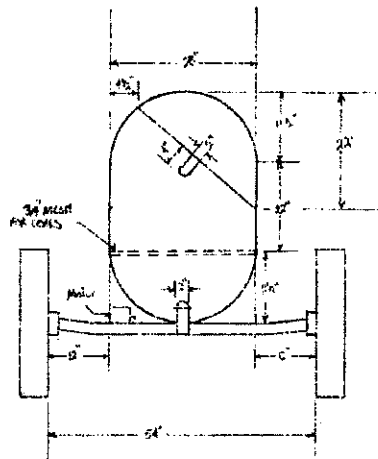


Approximate Materials List:

- 1 - 1" x 1" CAST IRON BARS
- 2 - 1/4" x 6" x 1/2" ANGLE IRON
- 3 - 3/4" x 6" x 3/8" REBAR
- 4 - 1/2" x 5 1/2" ANGLE IRON
- 5 - 1/2" x 60" x 1" ANGLE IRON
- 6 - 18 1/2" DIAMETER 1/2" W. STEEL ROLLER
- 7 - 1/8" x 5 1/2" ANGLE IRON



PORTABLE HOG BARBECUE		SCALE	DRAWN BY
Extension Engineering		1" = 16"	Richard H. Brown
DATE	APPROVED BY	DRAWING NUMBER	
4/85	N.D. 874-0-1	SP. I	