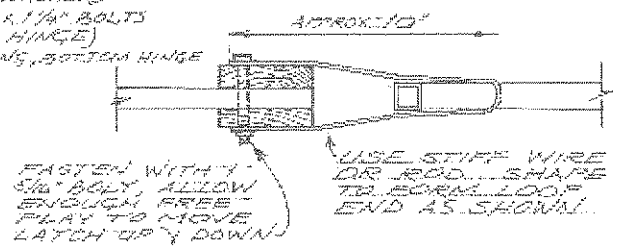
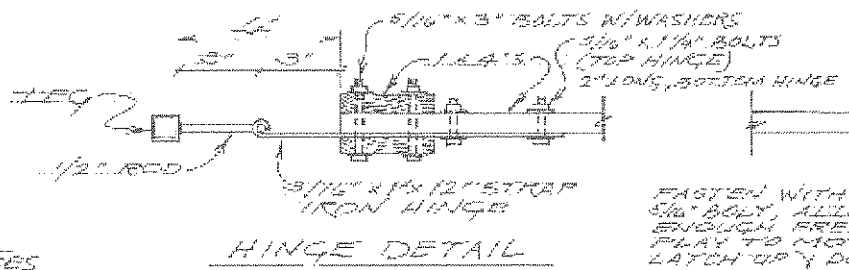
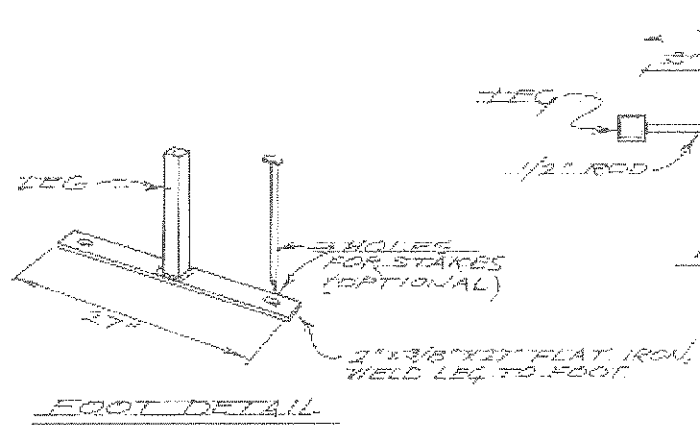


- BILL OF MATERIALS**
- 5... 1" SQ. I.D. TUBING, 10 FT. LONG
  - 4... 1" x 4" S, 8 FT. LONG
  - 4... 3/8" x 2" x 27" FLAT IRON
  - 2... 3/16" x 1" x 12" FLAT IRON
  - 3... 1/2" x 8" STEEL RODS
  - 1... WIRE OR ROD, 39" LONG
  - 5... 5/16" x 3" BOLTS W/WASHERS
  - 2... 5/16" x 2" "
  - 2... 5/16" x 1 1/4" "



ND 871-1-2

**GATE FOR 4-H WESTERN RIDING CLASS**

DESIGNED BY: GLENN HAUGEN  
STATSMAN COUNTY AGENT  
APPROVED: D.W.J. FEB. 1975

ND 871-1-4