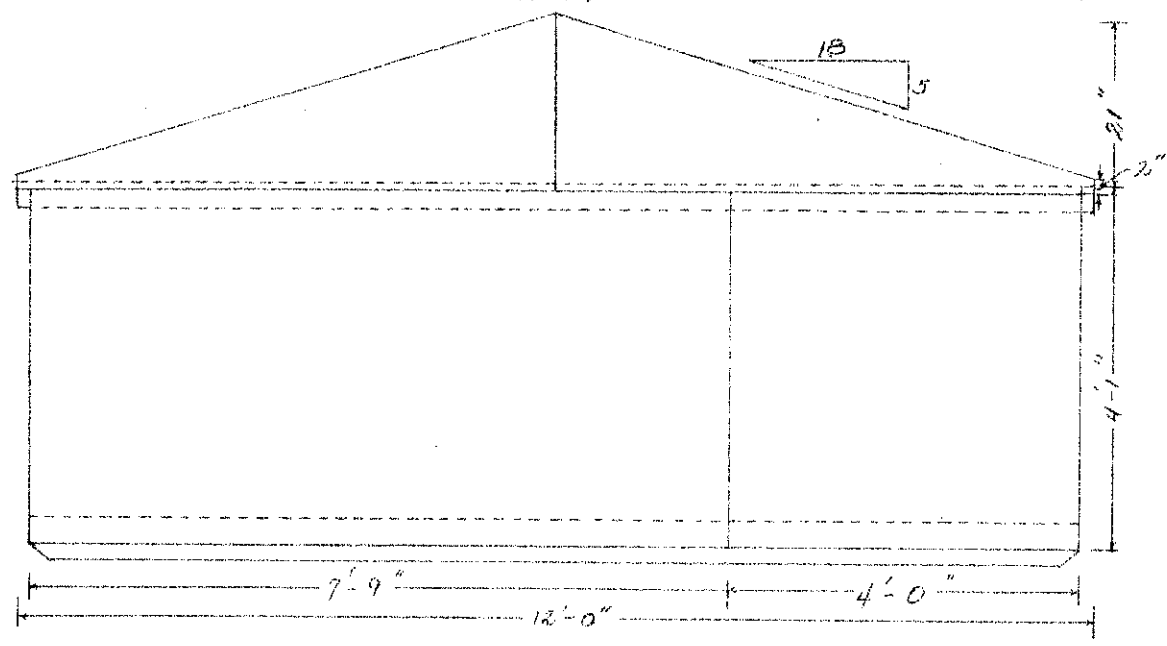
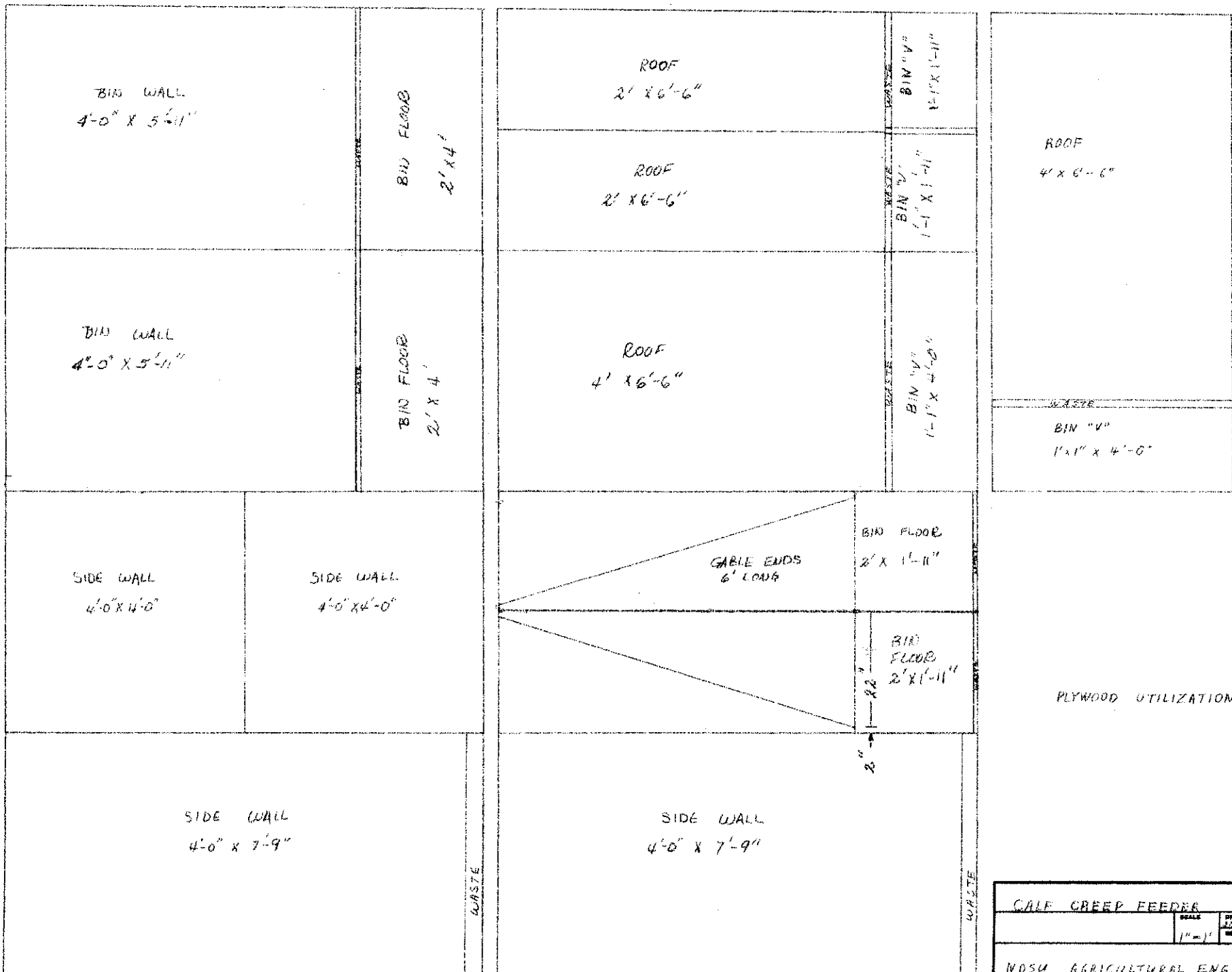


END VIEW FRAMING



CALF CREEP FEEDER			
		SCALE 1"=1'	DRAWN BY JOSHUA GARTNER
			REVISED
NDNU AGRICULTURAL ENGINEERING			
DATE OCT 14 2015	APPROVED BY ND 874-1-3	DRAWING NUMBER 1 of 2	



CALF CREEP FEEDER		SCALE	DRAWN BY
		1" = 1'	REYNOLD GARTNER
NDSU AGRICULTURAL ENGINEERING			
DATE	APPROVED BY	DRAWING NUMBER	
March 1975	N.D. 871-1-3	2 of 2	