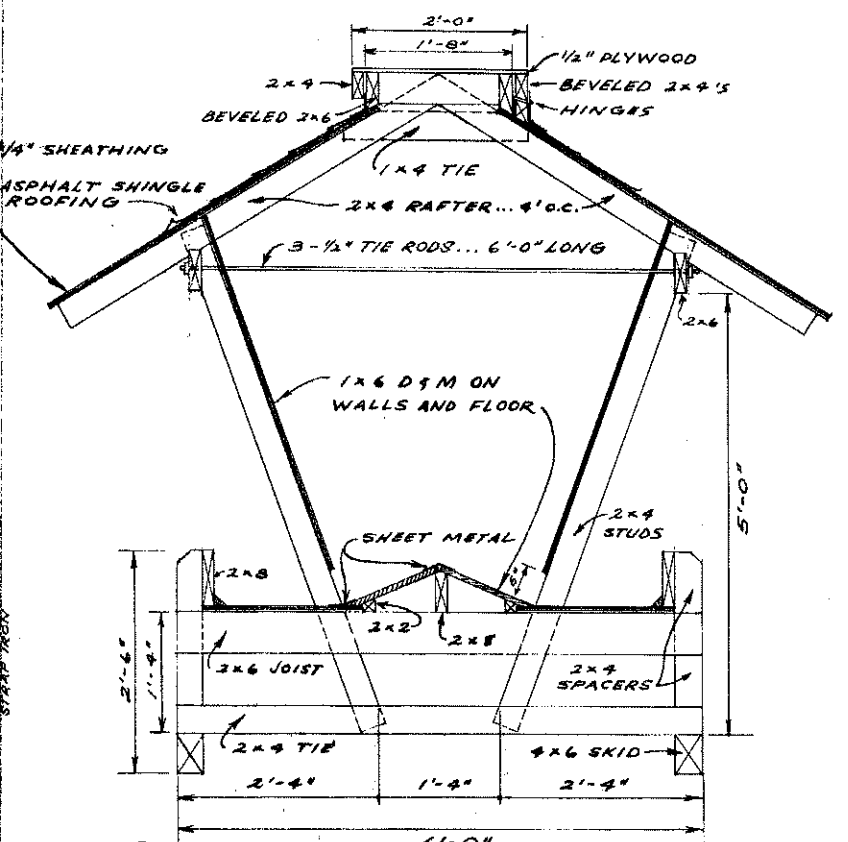
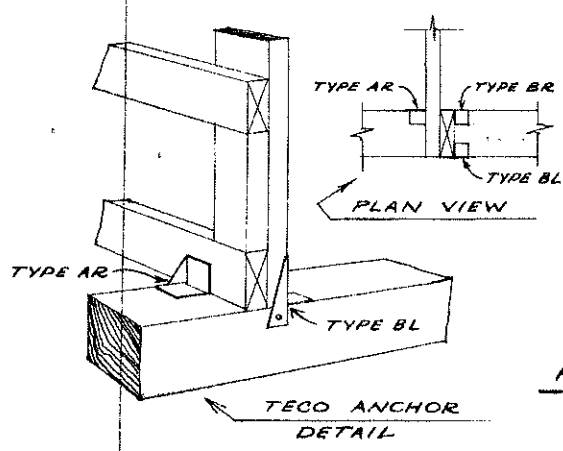


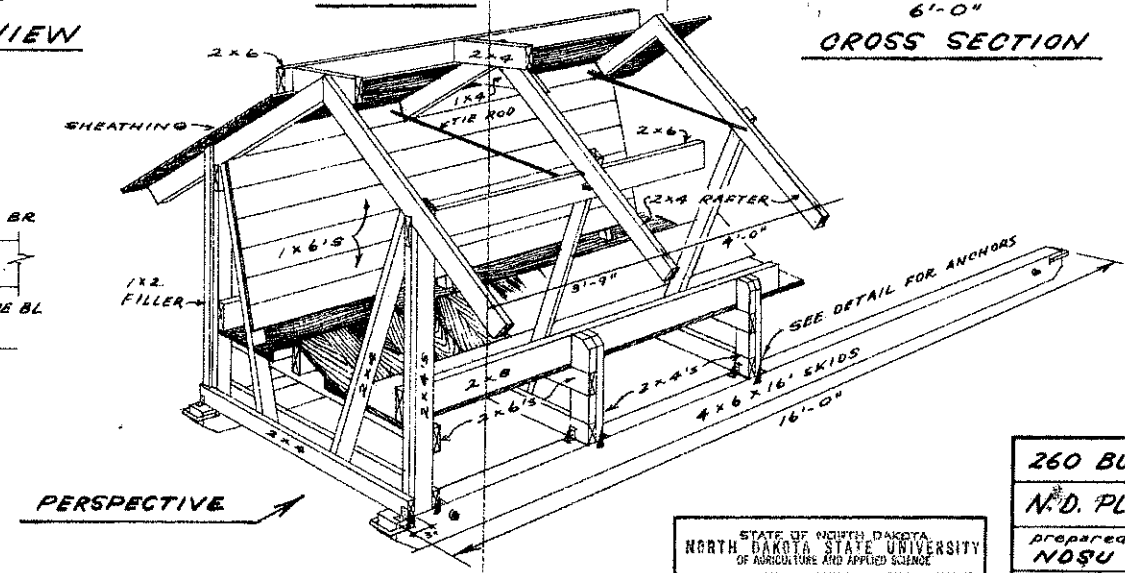
END VIEW



CROSS SECTION



**TECO ANCHOR
DETAIL**



PERSPECTIVE

STATE OF NORTH DAKOTA
NORTH DAKOTA STATE UNIVERSITY
 OF AGRICULTURE AND APPLIED SCIENCE

260 BUSHEL CATTLE FEEDER			
N.D. PLAN 871-1-1		SCALE 1"=1'	DRAWN BY C.H.C.
prepared by NDSU AGR. ENGR. DEPT.			REVISED
DATE May '63	APPROVED BY	DRAWING NUMBER SHEET 1 of 1	