

SHELTER BELT

DITCH

POUL YARD

TWO-STORY BARN

LEAN-TO

BACK YARD AREA

NORTH

WEST

SCALE 1/8" = 1'-0"

WATERER

WORKING FENCE

SLIDE GATE

LINE RAIL FENCE
(SEE DRAWINGS FOR DETAIL)

WORKING FENCE
(SEE DETAILS)

SLIDE GATE

SLIDE GATE

SLIDE GATE

LOADING CHUTE

EXISTING FEEDING PEN

SLIDING GATE

WEE TYPE WORKING CHUTE

SLIDING GATE

2' MAN GATE

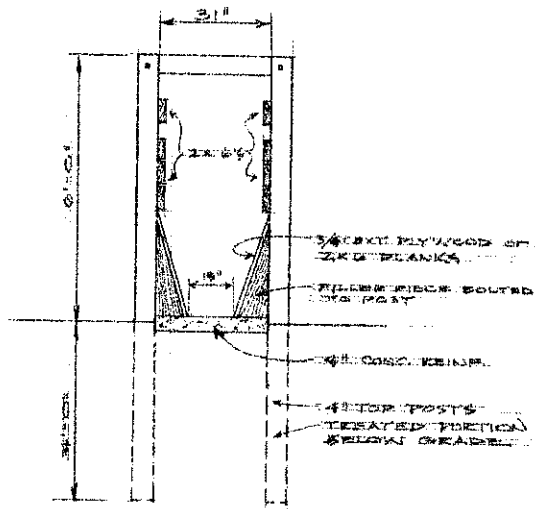
HEAD GATE
(SEE DRAWING FOR DETAILS)

LINE RAIL FENCE

COW AREA

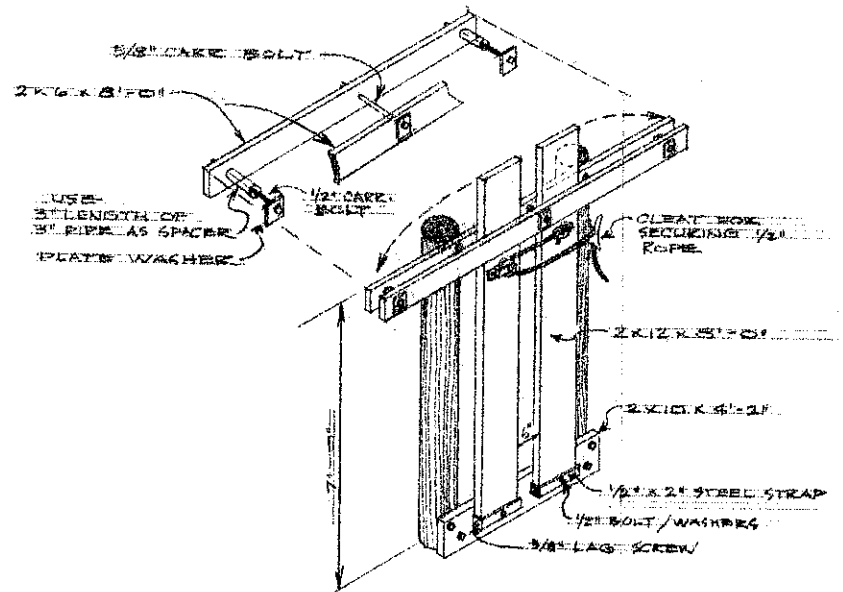
CATTLE YARD & WORKING CHUTE			
PREPARED BY Bos. Kaffon, LaMoine	SCALE	DRAWN BY E.C.	
DATE April, 68	APPROVED BY M.D. 872-3-8	REVISED	
NDSU Extension Agr. Engrs. Dept.			
DRAWING NUMBER		SHEET 1 of 2	

8/20/64

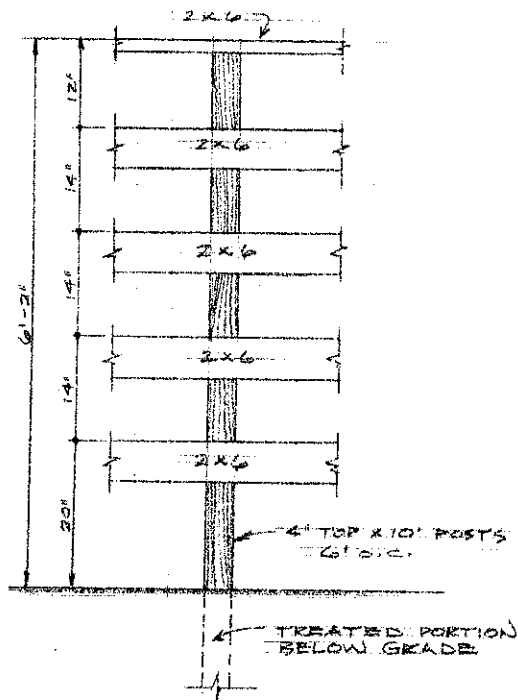


CROSS SECTION VIEW OF WORKING CHUTE

SCALE: 1/2" = 1'-0"

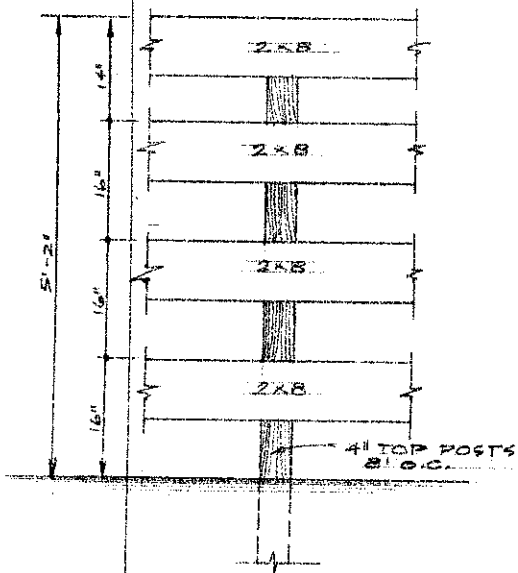


DETAILS OF FIXED HEADGATE



DETAIL OF WORKING FENCES

SCALE: 1/2" = 1'-0"



DETAIL OF LINE RAIL FENCES

SCALE: 1/2" = 1'-0"

CORKAL and WORKING CHUTE		
PREPARED FOR Geo. Katton; LaMoire	SCALE	DRAWN BY R.C.
PREPARED BY NDSU Extension Agr. Engr. Dept.	DATE April 68	APPROVED BY N.D. 870-3-6
		DRAWING NUMBER SHEET 2 of 2