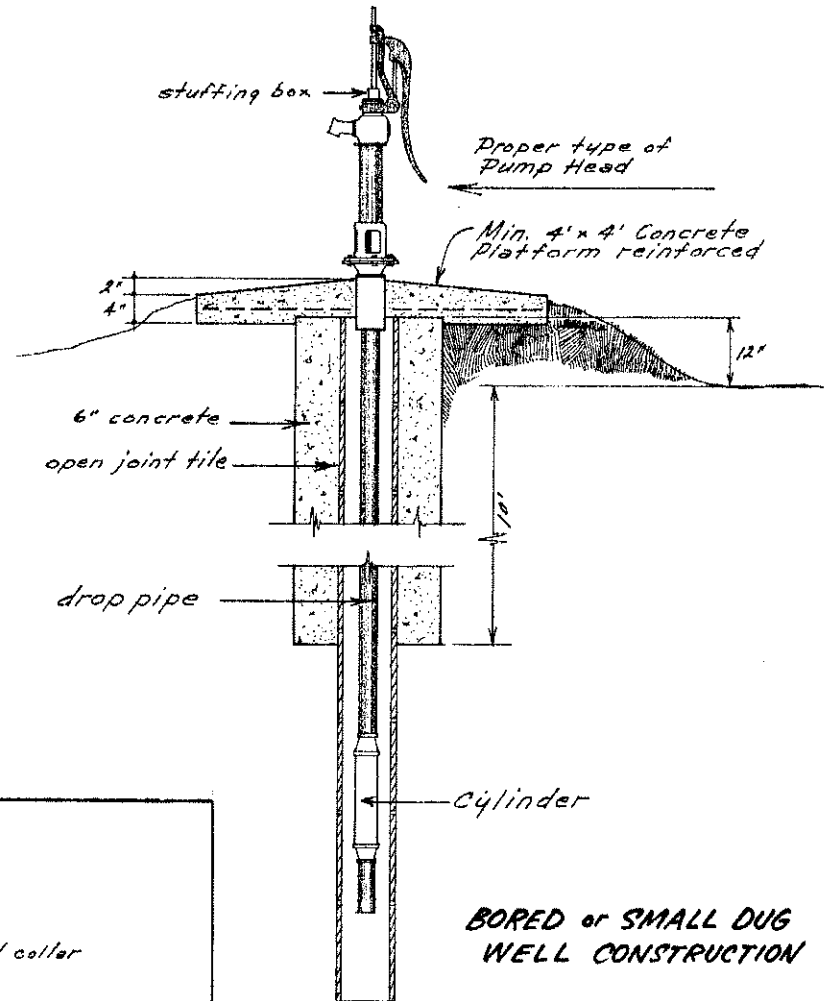
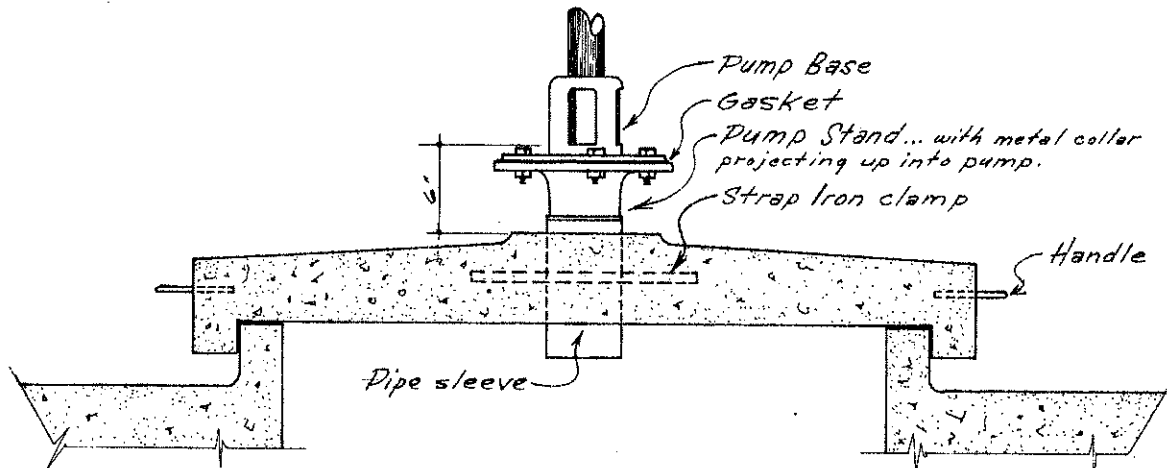


**DRILLED WELL
and PUMP SETTING**



**BORED or SMALL DUG
WELL CONSTRUCTION**



**METHOD of INSTALLING PUMP on
MANHOLE COVER to dug well or
to reservoir.**

SANITARY WATER SUPPLY...			
N. D. PLAN 864-0-1		SCALE	DRAWN BY <i>R. Cassette</i>
prepared by NDSU Extension Agr. Engr. Dept.		REVISED	
DATE 10/1/64	APPROVED BY	DRAWING NUMBER sheet 1 of 1	