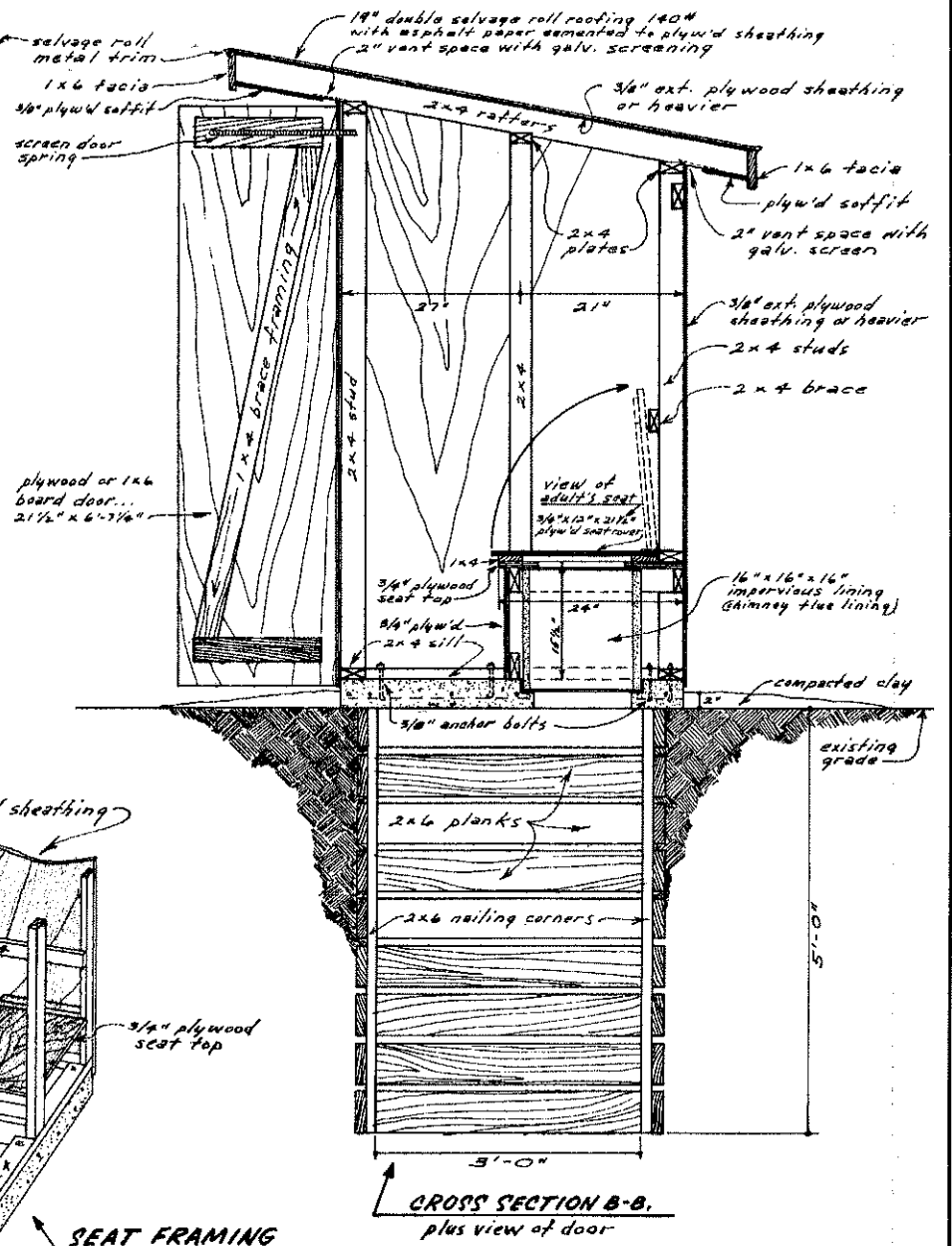
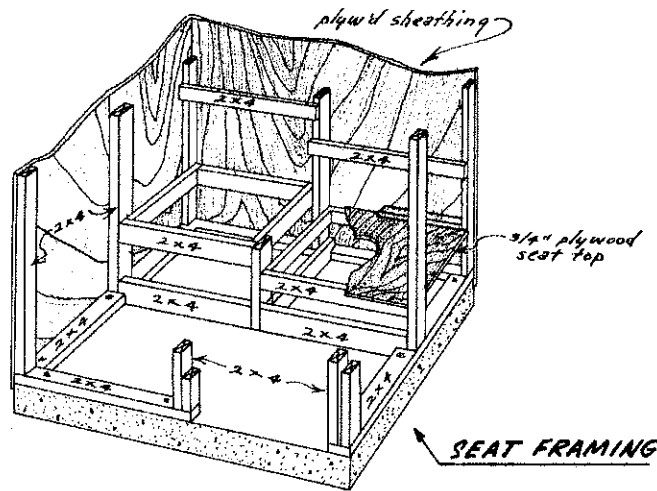
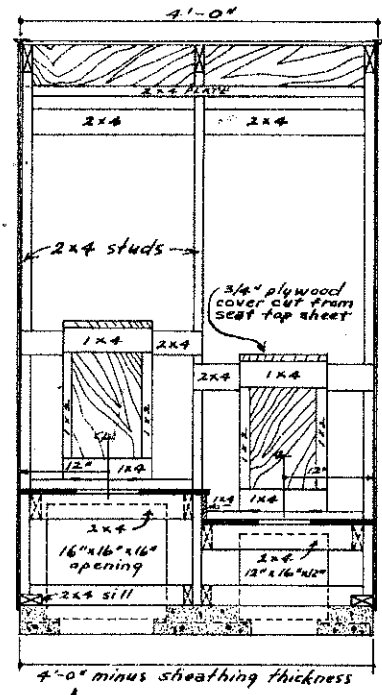
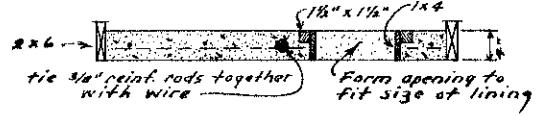


CONCRETE SLAB
Precast then set in place



SANITARY EARTH PIT PRIVY PLAN			
N.D. Plan # 851-2-1		SCALE	DRAWN BY R.C. & G.N.
prepared by NDSU Extension Agr. Engineering Dept.		REVISED	
DATE 10/1/64	APPROVED BY	DRAWING NUMBER sheet 1 of 1	