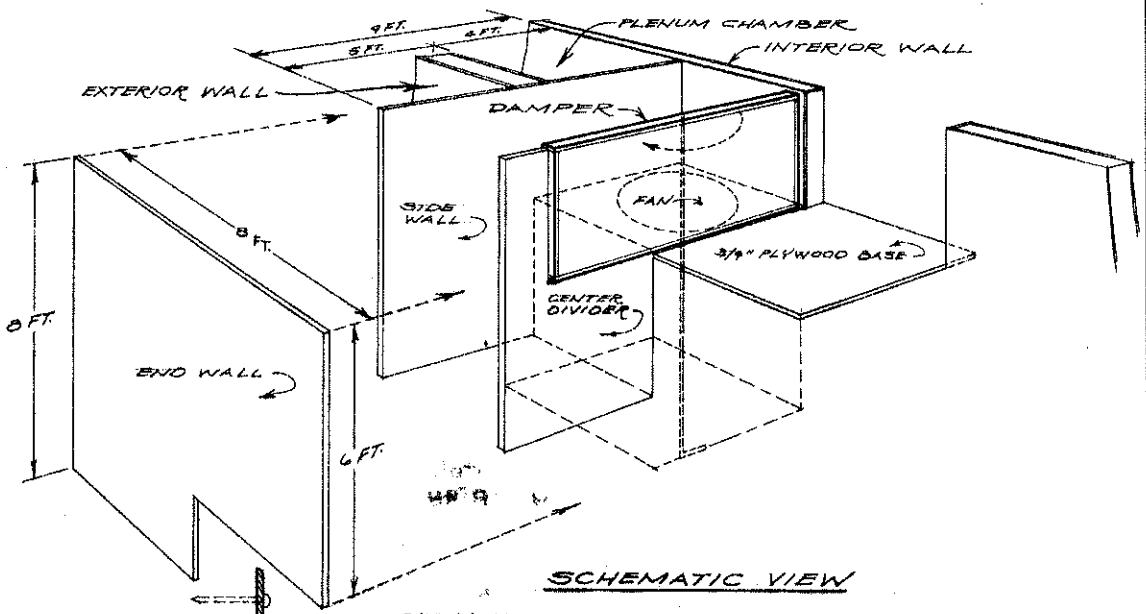
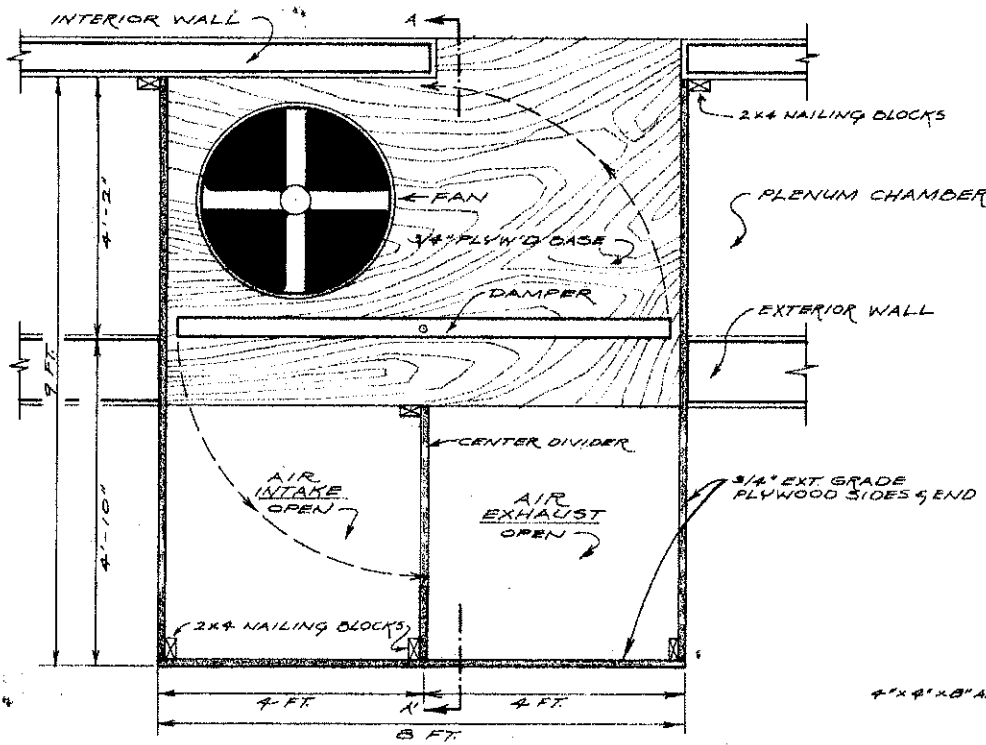


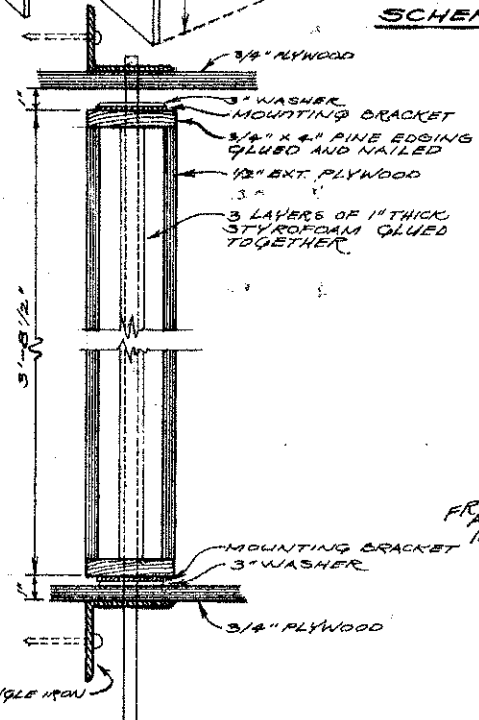
CROSS-SECTION A-A' VIEW



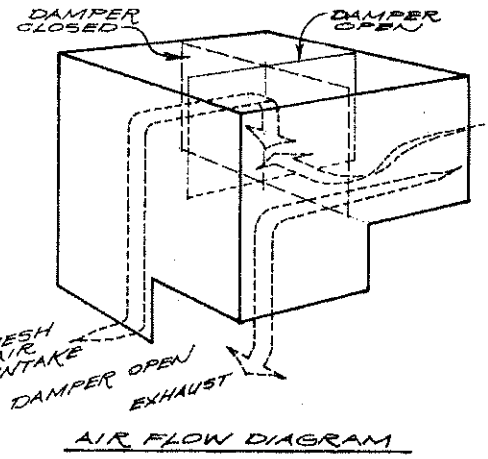
SCHEMATIC VIEW



FLOOR PLAN VIEW



DETAIL OF DAMPER ASSEMBLY



AIR FLOW DIAGRAM

POTATO STORAGE VENTILATION		
AIR INTAKE-EXHAUST HOOD / DAMPER UNIT	SCALE	DRAWN BY R. GOSSETT
		REVISED
PREPARED BY NDSU Extension Agr. Engr. Department		
DATE	APPROVED BY	DRAWING NUMBER
Oct. 1977	D. Lundstrom	587 / 001