

DRAFT GAGE

NOTE: THE DRAFT GAGE SHALL BE A "DWYER" #10015, OR EQUAL, "10" TO "100" H₂O MANOMETER, MANUFACTURED BY DWYER INSTRUMENTS INC., P.O. BOX 373 MICHIGAN CITY, INDIANA, 46300

INSTALL BUT HINGES ON BOTH EDGES OF DOOR.

3/8" PLASTIC TUBING THROUGH 3/8" DIA. HOLE DRILLED THROUGH DOOR. ATTACH TUBING TO DRAFT GAGE.

DOWNER CORD, SIZE #2, 115VOLT.

REVERSING DRUM SWITCH "DAYTON" #25490 OR EQUAL. FASTEN TO DOOR.

1/4 HP FAN DRIVE MOTOR

CONSTRUCT ADAPTER OUT OF 3/4" PLYWOOD CUT TO FIT NOZZEL AND FAN DIA. ANCHOR ADAPTER TO PLYWOOD WITH 1/4" WOOD SCREWS. MOUNTER SUNK INTO NOZZEL. SEAL JOINT AIR TIGHT WITH SEALANT.

FIBERGLASS BELL MOUTH NOZZEL FROM SASKATON FIBERGLASS CO., 1-825 50TH ST. EAST, SASKATON, CANADA, 1-306-242-2723, OR EQUAL.

ATTACH TO DRAFT GAGE

BOLT PLYWOOD ADAPTER TO FAN, USE WING NUTS. WEATHER STRIP IN BETWEEN JOINT.

DAMPER ADJUSTING ROD, (SEE DETAIL).

CUT HOLE IN DOOR TO FIT FAN DIAMETER

18" DIA. TUBE AXIAL FAN, "DAYTON" #45261, OR EQUAL, BOLT TO DOOR.

HEAVY DUTY CASERS BOLTED TO DOOR.

INTERIOR SIDE OF DOOR

20" x 20" ADJUSTABLE DAMPER, "HONEYWELL" #D 240, OR EQUAL, SLIDE INTO MOUNTING FRAME.

ATTACH TO DAMPER ADJUSTING ROD, SEE DETAIL.

INSTALL BUT HINGES ON BOTH EDGES OF DOOR.

3/8" PLASTIC TUBING THROUGH 3/8" HOLE DRILLED THROUGH DOOR.

1/4 HP DRIVE MOTOR.

BELL MOUTH NOZZEL BY SASKATON FIBERGLASS CO., 1-825 50TH ST. EAST, SASKATON, CANADA, 1-306-242-2723, OR EQUAL.

INSTALL LOCKSETS ON BOTH SIDES OF DOOR.

DAMPER MOUNTING FRAME, (SEE DETAIL).

CUT HOLE IN DOOR TO FIT FAN DIAMETER.

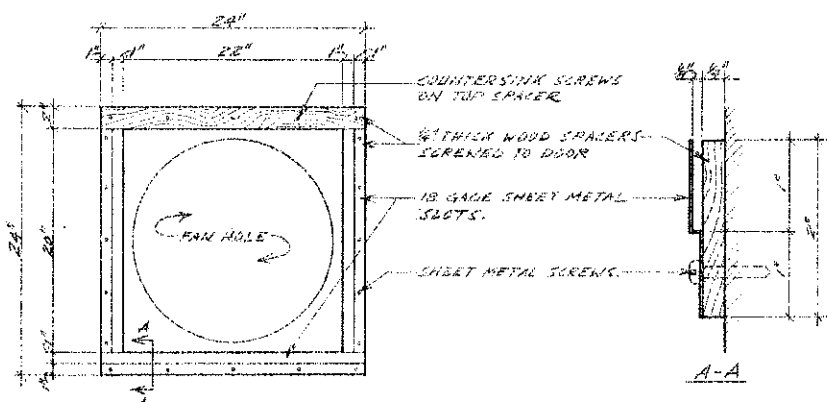
18" DIA. TUBE AXIAL FAN, "DAYTON" #45261, OR EQUAL.

STANDARD 3/4" x 1/8" EXTERIOR DOOR, WOOD OR STEEL.

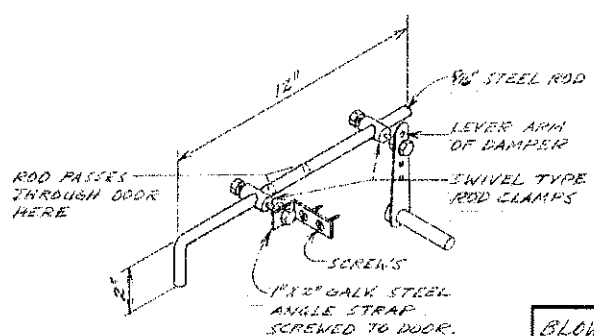
ATTACH TO DRAFT GAGE

DAMPER ADJUSTING ROD (SEE DETAIL).

EXTERIOR SIDE OF DOOR



DAMPER MOUNTING FRAME



DAMPER ADJUSTING ROD

BLOWER DOOR FOR INFILTRATION TESTS

N.D. PLAN #B19.2-5	SCALE	DRAWN BY G. FALKENBERG
PREPARED BY N.D.S.U. ENERGY EXTENSION SERVICE		REVISED
DATE 5-3-83	APPROVED BY Robert Vogel	DRAWING NUMBER 1 OF ONE