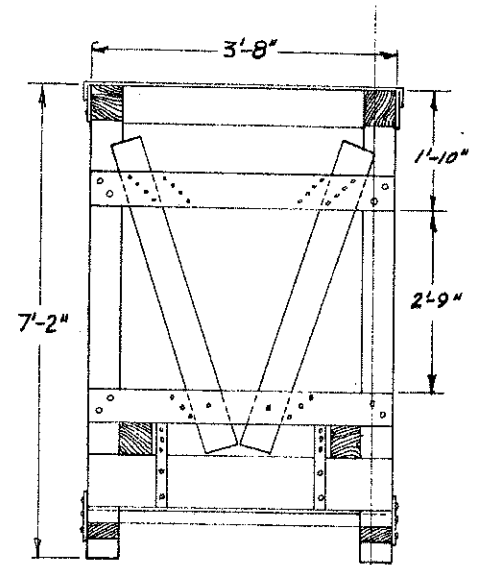
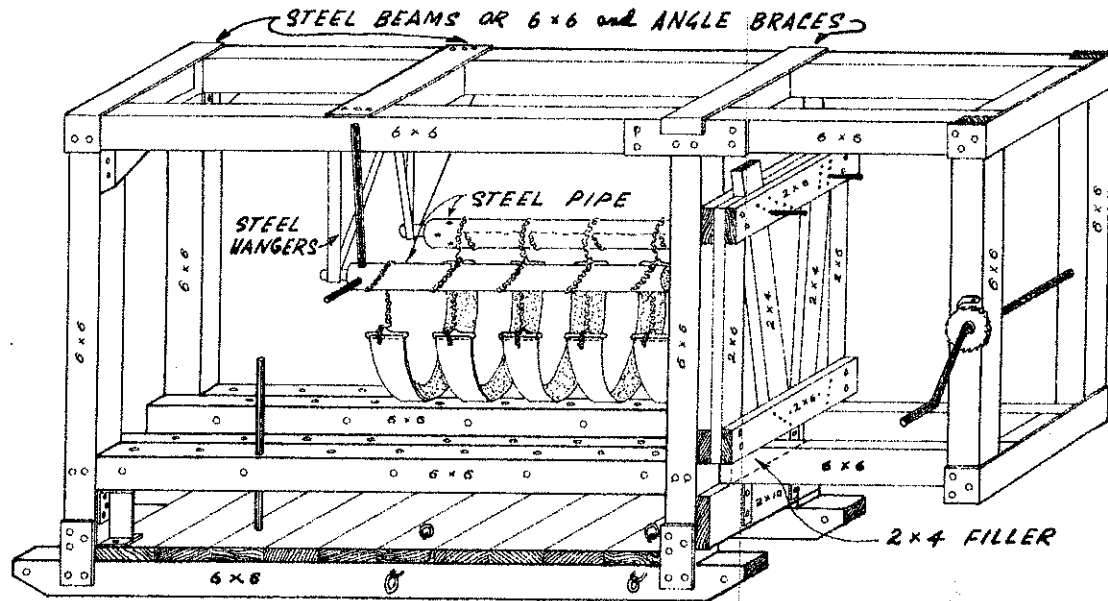


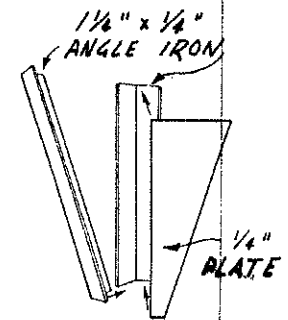
SIDE VIEW



FRONT VIEW SECTION A-A



PERSPECTIVE



STEEL HANGER DETAIL

STATE OF NORTH DAKOTA
 NORTH DAKOTA STATE UNIVERSITY
 DEPARTMENT OF AGRICULTURE AND APPLIED SCIENCE

CATTLE STOCK			
PLAN * 774-3-1	SCALE	DRAWN BY M. R. HAMMER	
PREPARED BY NDSU EXTENSION AGRI. ENGR. DEPT.	DATE	APPROVED BY	DRAWING NUMBER 1 OF 1
4-21-66			