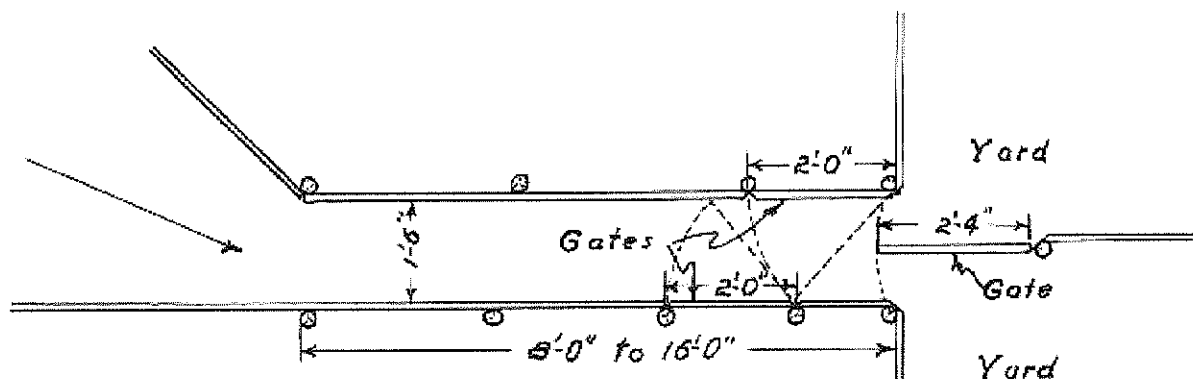
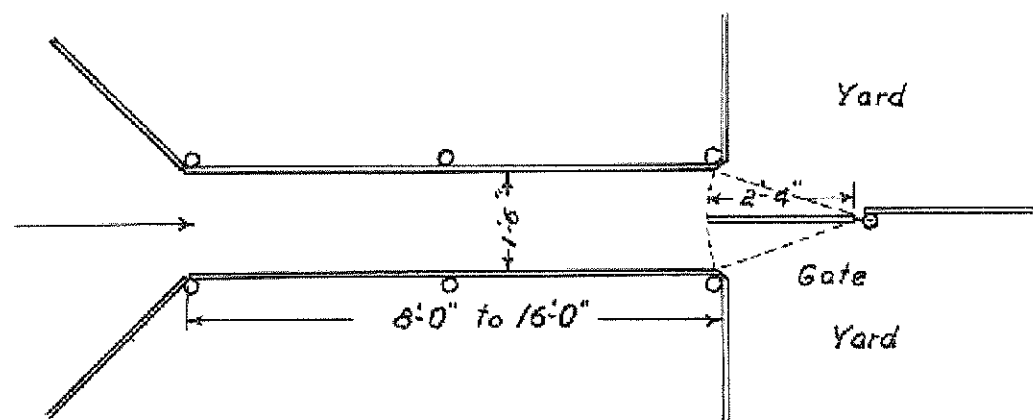


TWO-WAY CUTTING CHUTE



FOUR-WAY CUTTING CHUTE



TWO-WAY CUTTING CHUTE

NORTH DAKOTA AGRICULTURAL COLLEGE  
 AGRICULTURAL ENGINEERING EXTENSION  
 SHEEP CUTTING CHUTES  
 PLAN NO. ND 774-1-1/4 DATE-SEPT '32  
 Designed by C.L.H. Drawn by C.F.K.