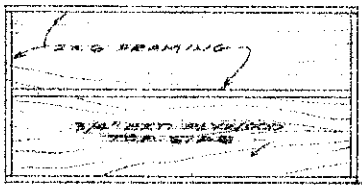
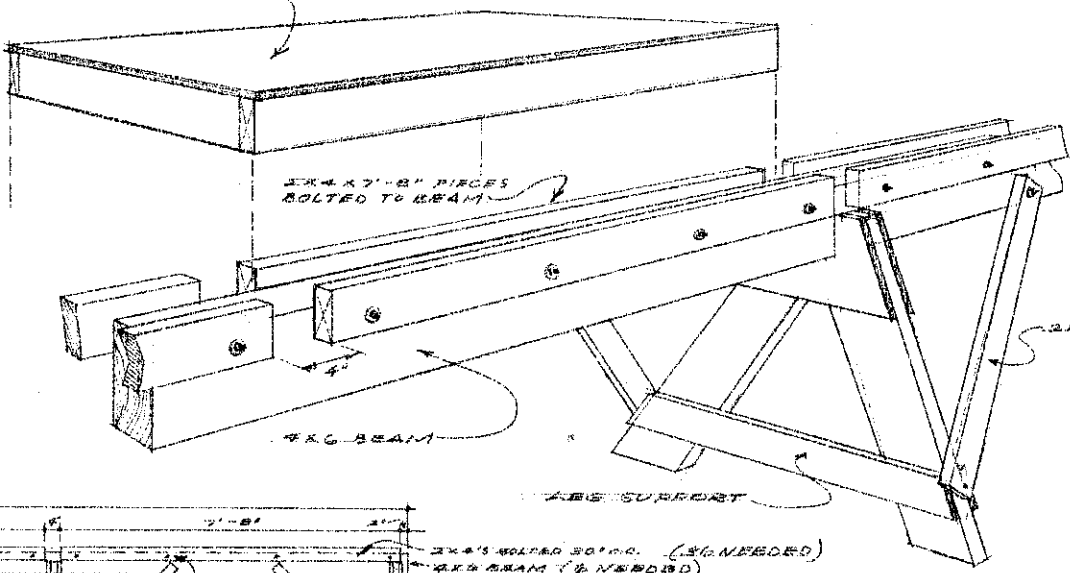
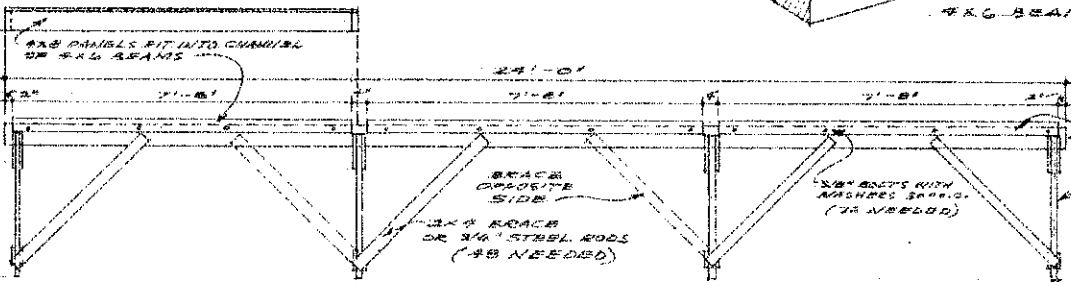


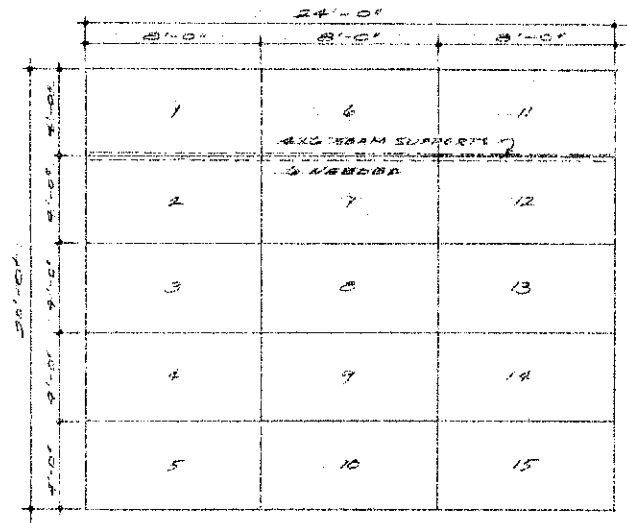
4x8 FRAMED PANEL



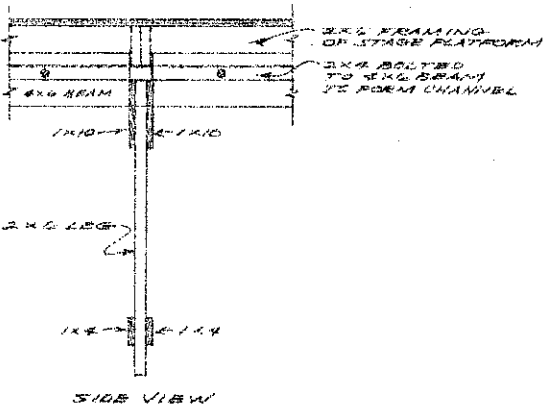
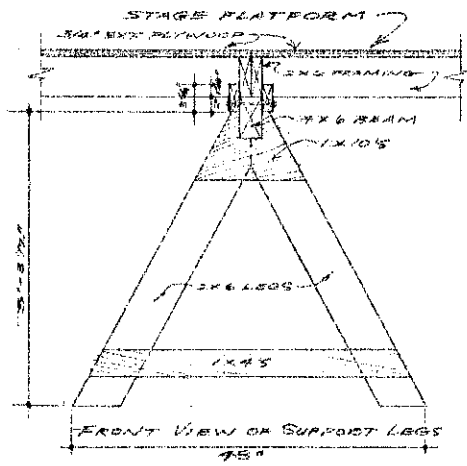
REMAINING OF TYPICAL PANEL
(IF NEEDED)



TYPICAL 4x8 BEAM WITH LEG
SUPPORTS AND CROSS BRACING
SCALE: 1/4\"/>



STAGE LAYOUT
4' x 8' PLYWOOD PANELS
BEAMED WITH 2x6'S



SCALE: 1/2\"/>

PORTABLE STAGE LAYOUT			
Prepared for TRI-COUNTY FAIR, Wishek	SCALE	DRAWN BY R. Gault	
Prepared by NDSU Extension Agr. Engr. Dept.		REVISED	
DATE Aug. 1966	APPROVED BY ND 760-0-10	DRAWING NUMBER Sheet 1 of 1	