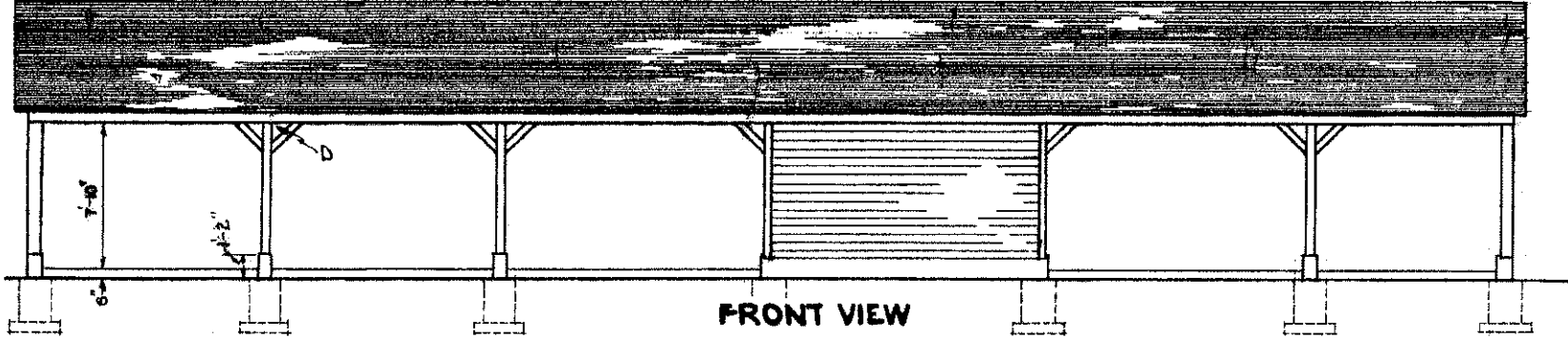
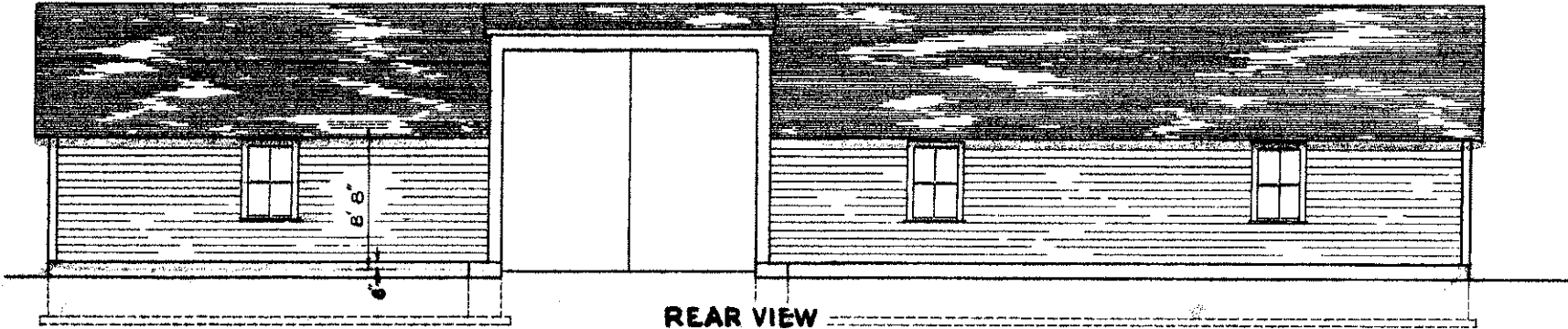


FLOOR PLAN
SCALE 3/16" = 1'-0"

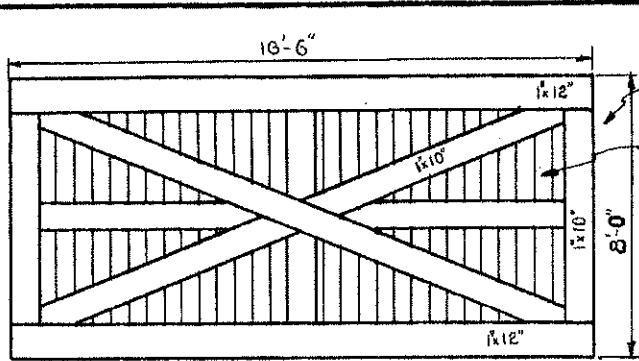


FRONT VIEW



REAR VIEW

COOPERATIVE EXTENSION WORK IN
AGRICULTURE AND HOME ECONOMICS
STATE OF NORTH DAKOTA
NORTH DAKOTA AGRICULTURAL COLLEGE
AND
U. S. DEPT. OF AGRICULTURE COOPERATING
EXT. AGENT, FARGO, N. DAK.
NORTH CENTRAL MACHINE SHED
NORTH DAKOTA STATE COLLEGE



16'-6" SLIDING DOORS
SCALE 3/8"=1'-0"

DOOR MAY BE MADE
IN TWO PARTS

1x6" T&G FLOORING

2" SIDING
FASCIA

STEEL BARN
DOOR HANGER
AND TRACK

2x10"

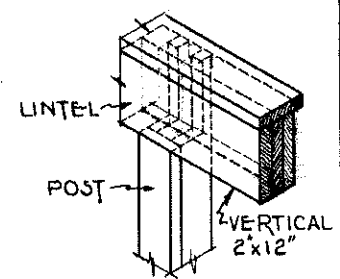
2x6"

2x6"

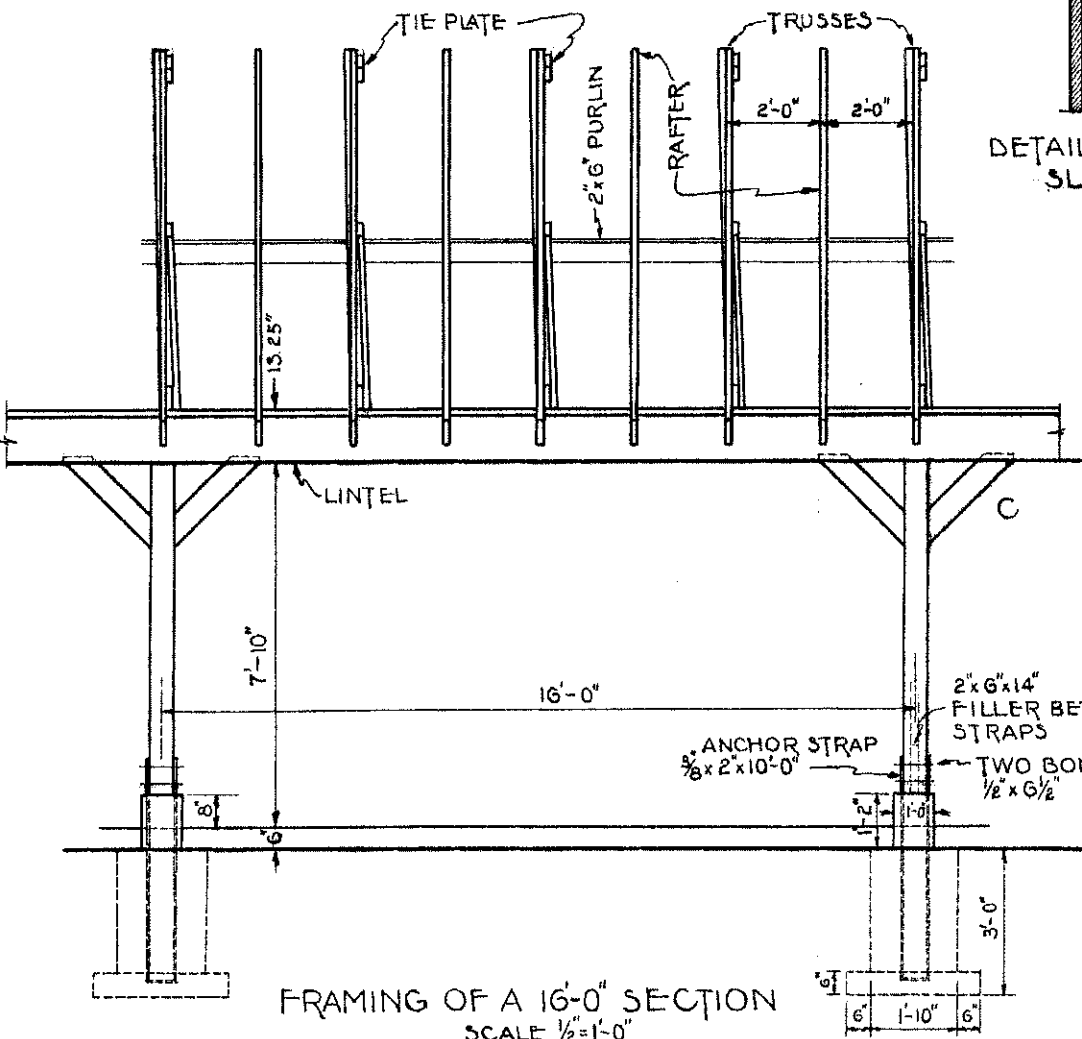
3-2x12"
POST

LINTEL FOR 16'-0" OPENING

4-2x12"

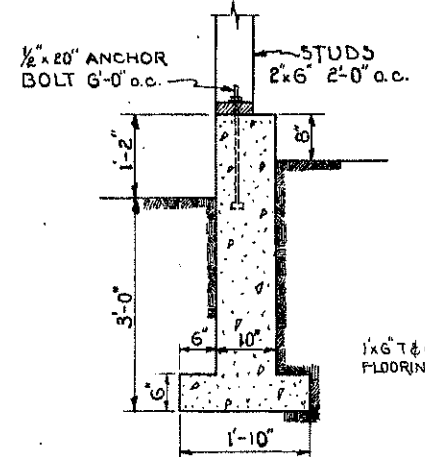


DETAIL AT "D"
USE 3 VERTICAL 2x12" FOR
14'-0" OPENING
USE 2 VERTICAL 2x12" FOR
12'-0" OPENING

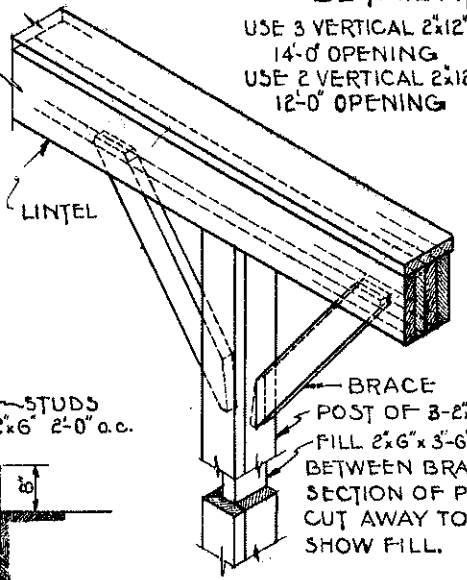


FRAMING OF A 16'-0" SECTION
SCALE 1/2"=1'-0"

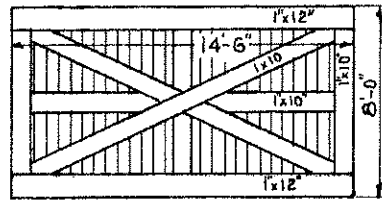
DETAIL OF LINTEL OVER
SLIDING DOORS
SCALE 1 1/2"=1'-0"



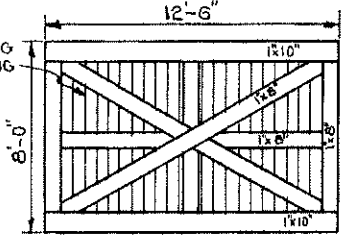
SECTION THRU
FOUNDATION WALL
SCALE 3/4"=1'-0"



DETAIL AT "C"
SCALE 3/4"=1'-0"



14'-6" DOOR
SCALE 1/4"=1'-0"

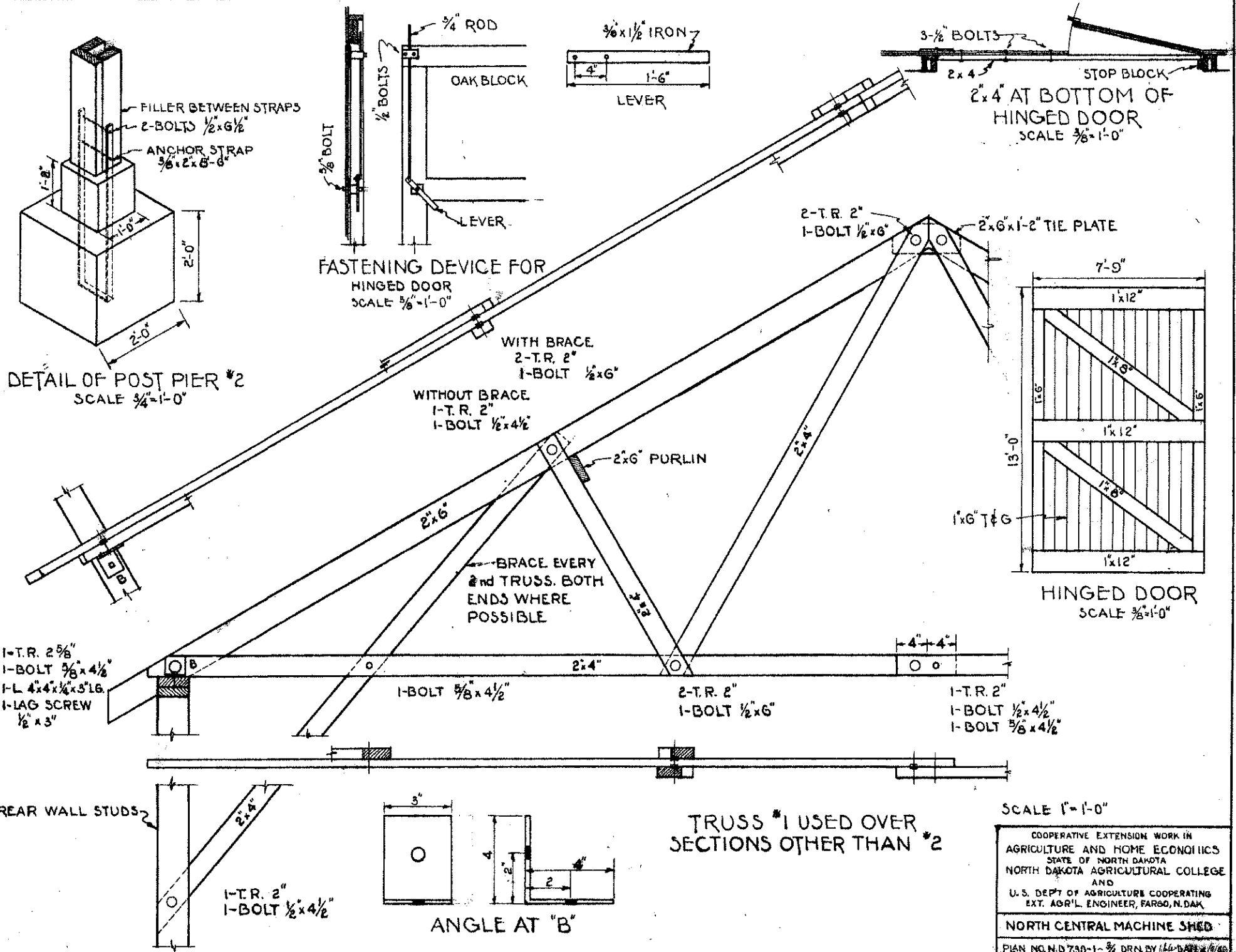


12'-6" DOOR
SCALE 1/4"=1'-0"

COOPERATIVE EXTENSION WORK IN
AGRICULTURE AND HOME ECONOMICS
STATE OF NORTH DAKOTA
NORTH DAKOTA AGRICULTURAL COLLEGE
AND
U. S. DEPT. OF AGRICULTURE COOPERATING
EXT. AGR'L ENGINEER FAROO, N. DAK.

NORTH CENTRAL MACHINE SHED

PLAN NO. D. 730-1-2/4 DRN BY G. W. BART #140



DETAIL OF POST PIER #2
SCALE 3/4"=1'-0"

FASTENING DEVICE FOR
HINGED DOOR
SCALE 3/8"=1'-0"

STOP BLOCK
2x4 AT BOTTOM OF
HINGED DOOR
SCALE 3/8"=1'-0"

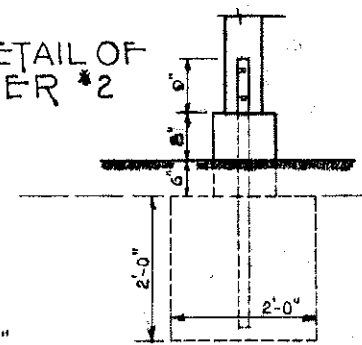
HINGED DOOR
SCALE 3/8"=1'-0"

TRUSS #1 USED OVER
SECTIONS OTHER THAN #2

SCALE 1"=1'-0"

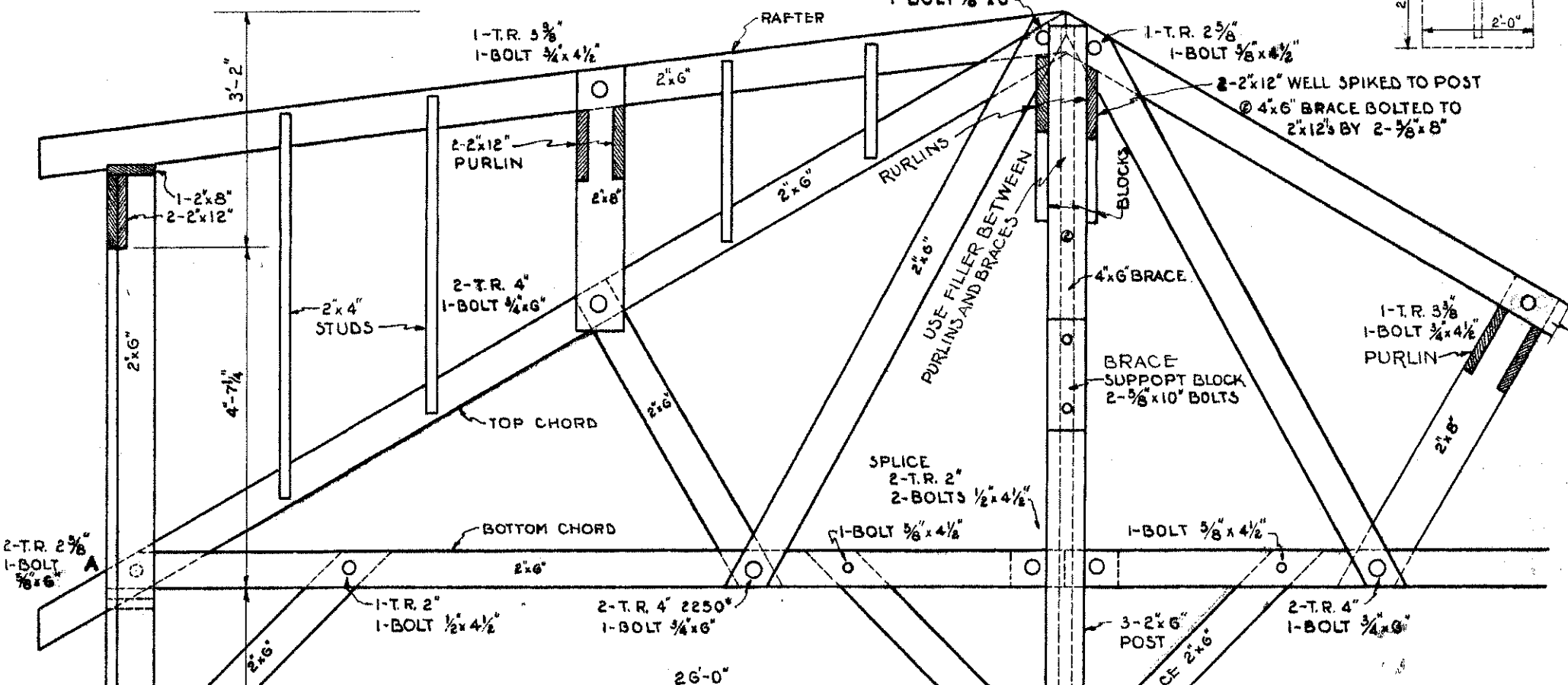
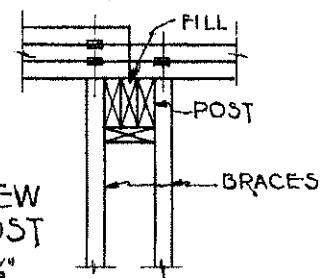
COOPERATIVE EXTENSION WORK IN
AGRICULTURE AND HOME ECONOMICS
STATE OF NORTH DAKOTA
NORTH DAKOTA AGRICULTURAL COLLEGE
AND
U.S. DEPT. OF AGRICULTURE COOPERATING
EXT. AGR'L. ENGINEER, FARGO, N. DAK.
NORTH CENTRAL MACHINE SHED
PLAN NO. N.D. 730-1-3/4 DRN BY J. L. DAVIS 1/24/40

DETAIL OF PIER #2

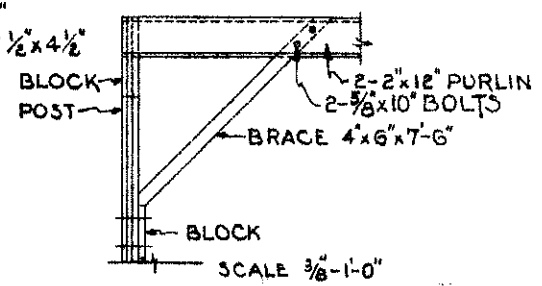


TOP VIEW OF POST

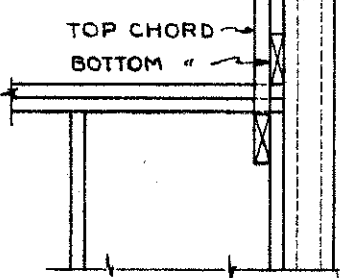
2-T.R. 2 5/8"
1-BOLT 3/8" x 6"



DETAIL SHOWING BRACE @



DETAIL AT 'A'



TRUSS #2 OVER POST

SCALE 1" = 1'-0"

COOPERATIVE EXTENSION WORK IN
AGRICULTURE AND HOME ECONOMICS
STATE OF NORTH DAKOTA
NORTH DAKOTA AGRICULTURAL COLLEGE
AND
U.S. DEPT. OF AGRICULTURE COOPERATING
EXT. AGR'L. ENGINEER FARGO, N. DAK.

NORTH CENTRAL MACHINE SHED

PLAN NO. N. D. 73D-1-1/4 DRN BY [signature]

BILL OF MATERIALS
 NORTE CENTRAL MACHINE SHED
 26' x 88'

Truss # 1

32 - 2 x 6 x 16 - 0	Top Chord
32 - 2 x 4 x 9 - 0	Web Member
32 - 2 x 4 x 5 - 0	Web Memeber
11 - 2 x 4 x 11 - 0	Braces (3 front and 8 rear)
34 - 2 x 4 x 16 - 0	Bottom Chord

Rafters

40 - 2 x 6 x 16 - 0	Rafters
7 - 2 x 6 x 16 - 0	Rafters over combine stall
6 - 2 x 12 x 16 - 0	Purlins over combine stall
8 - 2 x 6 x 12 - 0	Purlins to support rafters
4 - 2 x 6 x 14 - 0	Purlins to support rafters

Truss # 2

4 - 2 x 6 x 16 - 0	Top Chord
4 - 2 x 6 x 9 - 0	Web Member
2 - 2 x 6 x 5 - 0	Web Member
2 - 2 x 8 x 5 - 0	Web Member Purlin support rear
2 - 2 x 6 x 14 - 0	Rafter Top
2 - 2 x 8 x 3 - 9	Purlin support on door side
4 - 2 x 6 x 5 - 6	Brace to Wall
6 - 2 x 4 x 5 - 0	Studs
6 - 2 x 6 x 16 - 0	Posts for # 2
2 - 4 x 6 x 7 - 6	Braces between ridge purlins and post # 2
8 - 2 x 6 x 1 - 6	Support Blocks
4 - 2 x 6 x 5 - 0	Braces between post & bottom chord
2 - 2 x 6 x 12 - 0	Fills

6 - 2 x 6 x 14 - 0

Two posts at entrance

2 - 2 x 12 x 16 - 0

Lintel

1 - 2 x 8 x 16 - 0

Lintel

Framing

70 - 2 x 6 x 8 - 0

Studs

9 - 2 x 6 x 10 - 0

Sills & Plates

450' - 2 x 6

Sills and Plates

Lintels on Front Side

8 - 2 x 12 x 16 - 0

Verticle Members on 16' sections

2 - 2 x 10 x 16 - 0

Top members on 16' sections

6 - 2 x 12 x 14 - 0

Verticle members on 14' sections

2 - 2 x 10 x 14 - 0

Top members on 14' sections

2 - 2 x 12 x 12 - 0

Verticle members on 12' sections

1 - 2 x 10 x 12 - 0

Top members on 12' sections

8 - 2 x 12 x 3 - 0

Braces under Lintels

23 - 2 x 12 x 9 - 0

For posts and fills

Hinged Combine Doors - (2)

36 - 1 x 6 x 14 - 0

T. & G. Flooring

6 - 1 x 12 x 8 - 0

Framing

4 - 1 x 6 x 12 - 0

Framing

4 - 1 x 8 x 10 - 0

Framing

16' Sliding Door (2)

80 - 1 x 6 x 8 - 0

T. & G. Flooring

6 - 1 x 10 x 16 - 0

Framing

6 - 1 x 10 x 7 - 0

Framing

4 - 1 x 12 x 18 - 0

Framing

14' Sliding Door (2)

70 - 1 x 6 x 8 - 0	T. & G. Flooring
4 - 1 x 12 x 16 - 0	Framing
2 - 1 x 10 x 14 - 0	Framing
6 - 1 x 10 x 7 - 0	Framing
4 - 1 x 10 x 14 - 0	Framing

12' Sliding Door (1)

30 - 1 x 6 x 8 - 0	T. & G. Flooring
2 - 1 x 10 x 14 - 0	Framing
1 - 1 x 8 x 12 - 0	Framing
3 - 1 x 8 x 7 - 0	Framing
2 - 1 x 8 x 14 - 0	Framing

Foundations

11 - 3/8 x 2 x 8 - 6	Anchor straps
22 - 1/2 x 6 1/2	Machine bolts
162 sacks	Cement
15 cubic yards	Fine aggregate
30 cubic yards	Coarse aggregate

(1 : 2 : 5 ~~mix~~ mix)

(32.5 cu. yds. of concrete)

Windows (Optional)

5 -	Four-light double-hing windows
5 -	Window frames for above

Roof Covering

317 - 1 x 10 x 12 - 0 Shiplap
or
(514 - 1 x 6 x 12 - 0 T. & G. Flooring)
2200 asphalt strip shingles 12" x 3' - 0" (5" exposure)

Siding

260 - 1 x 6 x 12 - 0	Drop siding
16 - 1 x 6 x 12 - 0	For combine entrance sides

Trim

15 - 1 x 6 x 8 - 0	Vertical strips
4 - 1 x 6 x 16 - 0	End eaves
6 - 1 x 6 x 12 - 0	Rear eaves
8 - 1 x 10 x 12 - 0	Front eaves
2 - 1 x 6 x 15 - 0	Trim of combine door-way
1 - 1 x 6 x 16 - 0	Trim of combine door-way
5 - 1 x 4 x 6 - 0	Trim of windows (optional)
3 - 1 x 4 x 7 - 0	Trim of small-door (optional)
1 - 12 - 0	Drip cap.
1 - 12 - 0	Flashing

Hardware and Nails

80 # - 1 3/4"	Asphalt large headed nails
69 # - 8 d	Common nails for roof sheeting
15 # - 10 d	Common nails for rafters
15 # - 10 d	Common nails for studding
15 # - 8 d	Common nails for drop siding
3 # - 8 d	Casing nails for trim
10 # - 20 d	Common nails for plates and braces
15 # - 30 d	Common nails for posts
12 - 4"	Toothed ring
4 - 3 3/8"	Toothed ring
53 - 2 5/8"	Toothed ring
198 - 2"	Toothed ring
4 - 3/4 x 4 1/2"	Machine bolts
6 - 3/4 x 6"	Machine bolts
64 - 5/8" x 4 1/2"	Machine bolts
4 - 5/8" x 6"	Machine bolts
10 - 5/8" x 10"	Machine bolts
60 - 1/2" x 4 1/2"	Machine bolts

75 - 1/2" x 6"	Machine bolts
34 - 1/2" x 3"	Lag screws
32 - 4 x 4 x 1/4" x 3" long	Angles
2 # - 3/4"	Washers
10 # - 5/8"	Washers
10 # - 1/2"	Washers