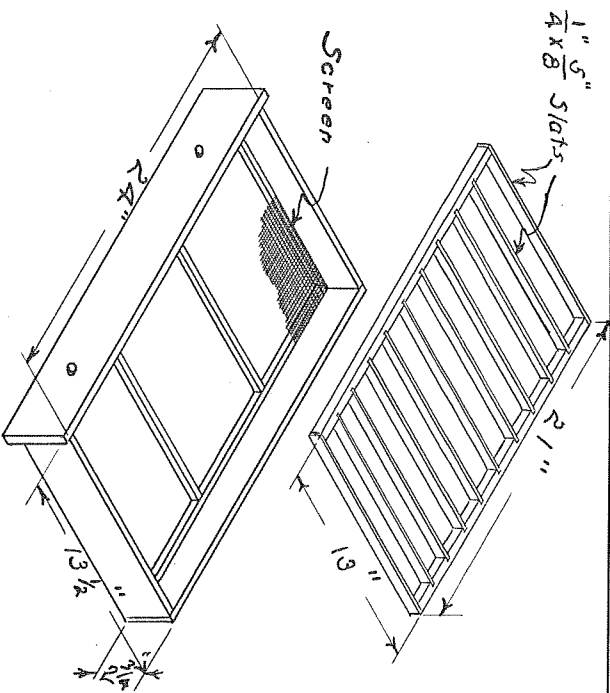


FRONT & SECTION

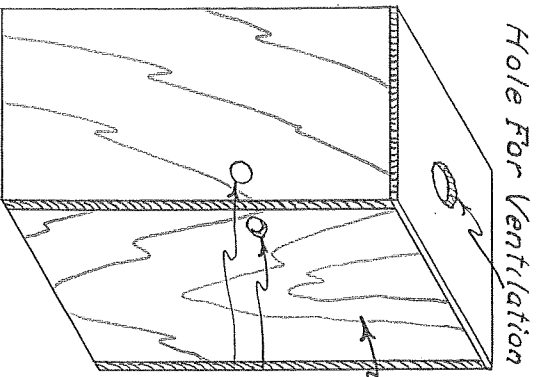
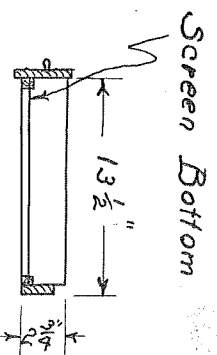
END SECTION

EGG CABINET - Scale: 1" = 1'-0"

EGG DRAWER & RACK



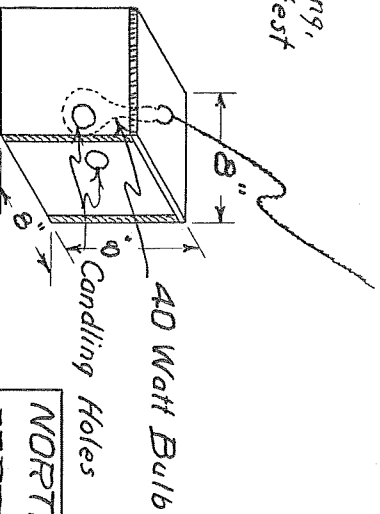
DRAWER SECTION



Hole For Ventilation

Wooden Box, Dimensions To Fit Lamp Used

Holes For Candling, Opposite Brightest Light.



40 Watt Bulb

Candling Holes

LAMP TYPE EGG CANDLER

ELECTRIC CANDLER

NORTH DAKOTA AGRICULTURAL COLLEGE
 DEPT. OF AGRI. ENGINEERING - H. F. McCollly.
 POULTRY HUSBANDRY - G. P. GORDON
 POULTRY EGG EQUIPMENT
 PLAN NO. ND-7271-5-1 DATE: MARCH '32
 C.E.K.