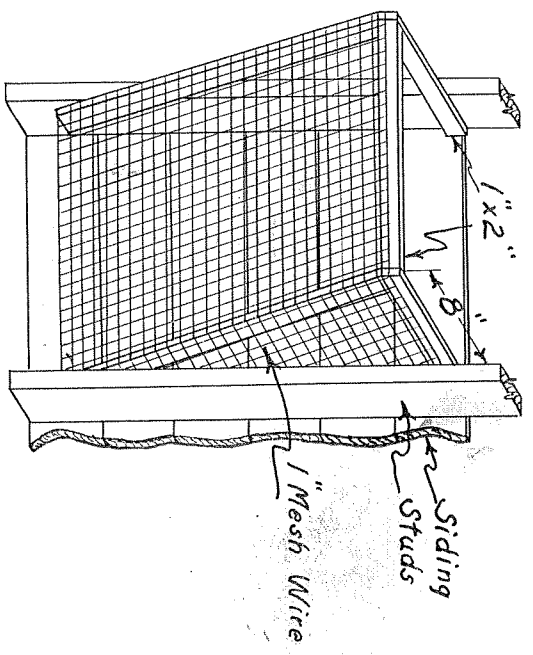
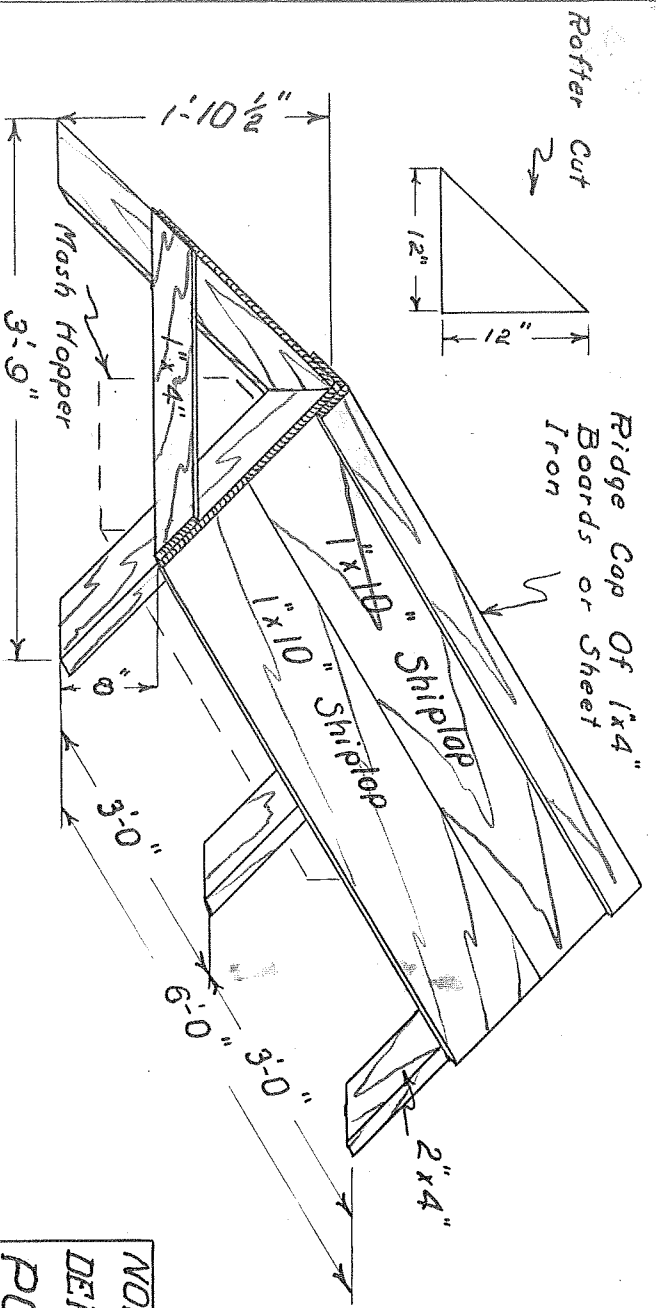


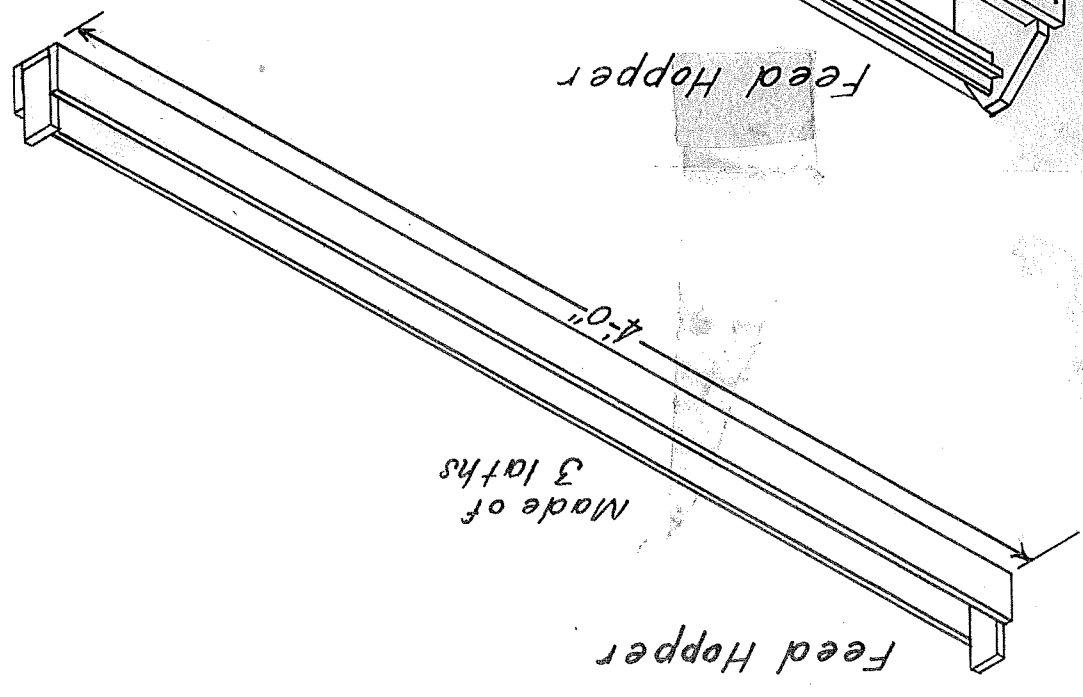
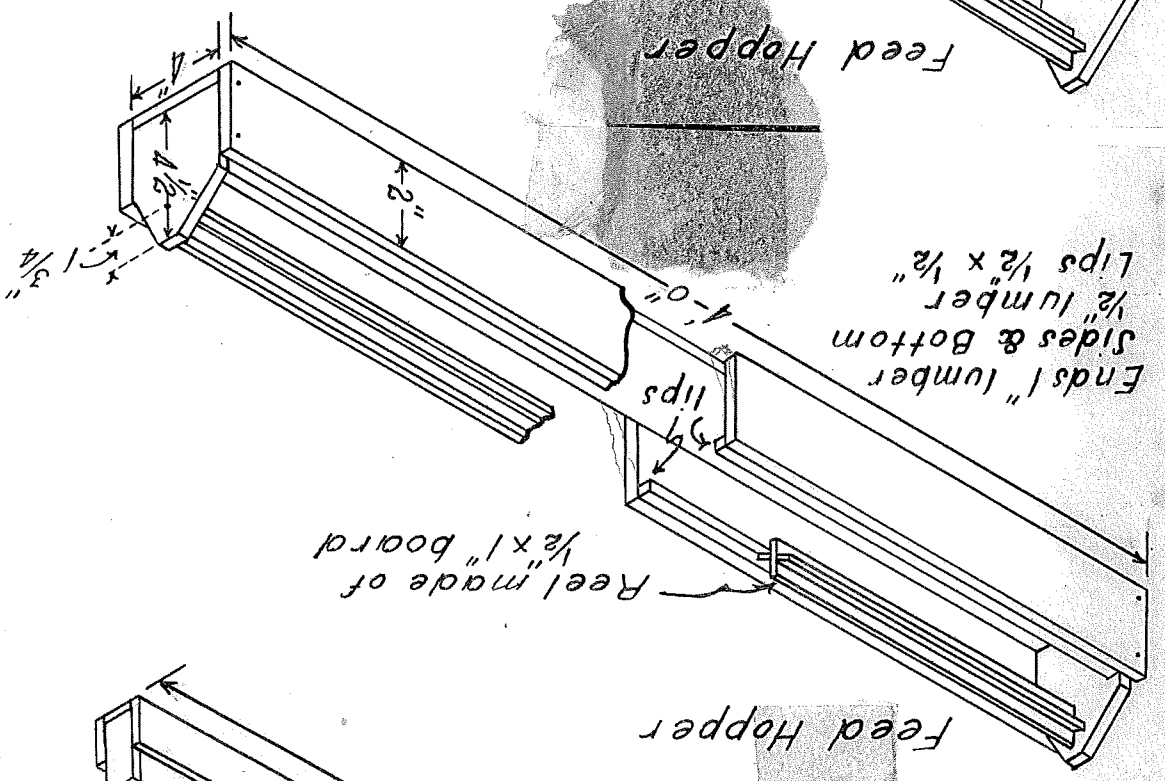
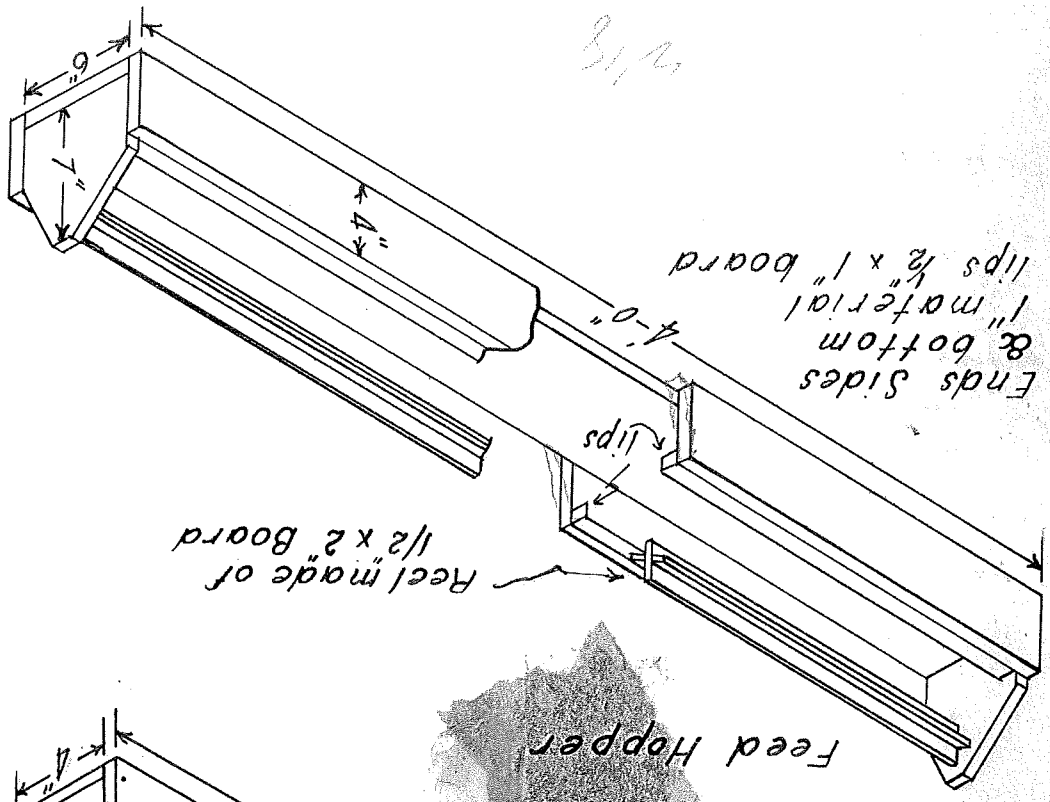
Side View
MASH HOPPER WITH INDOOR STAND



MASH HOPPER COVER FOR RANGE USE

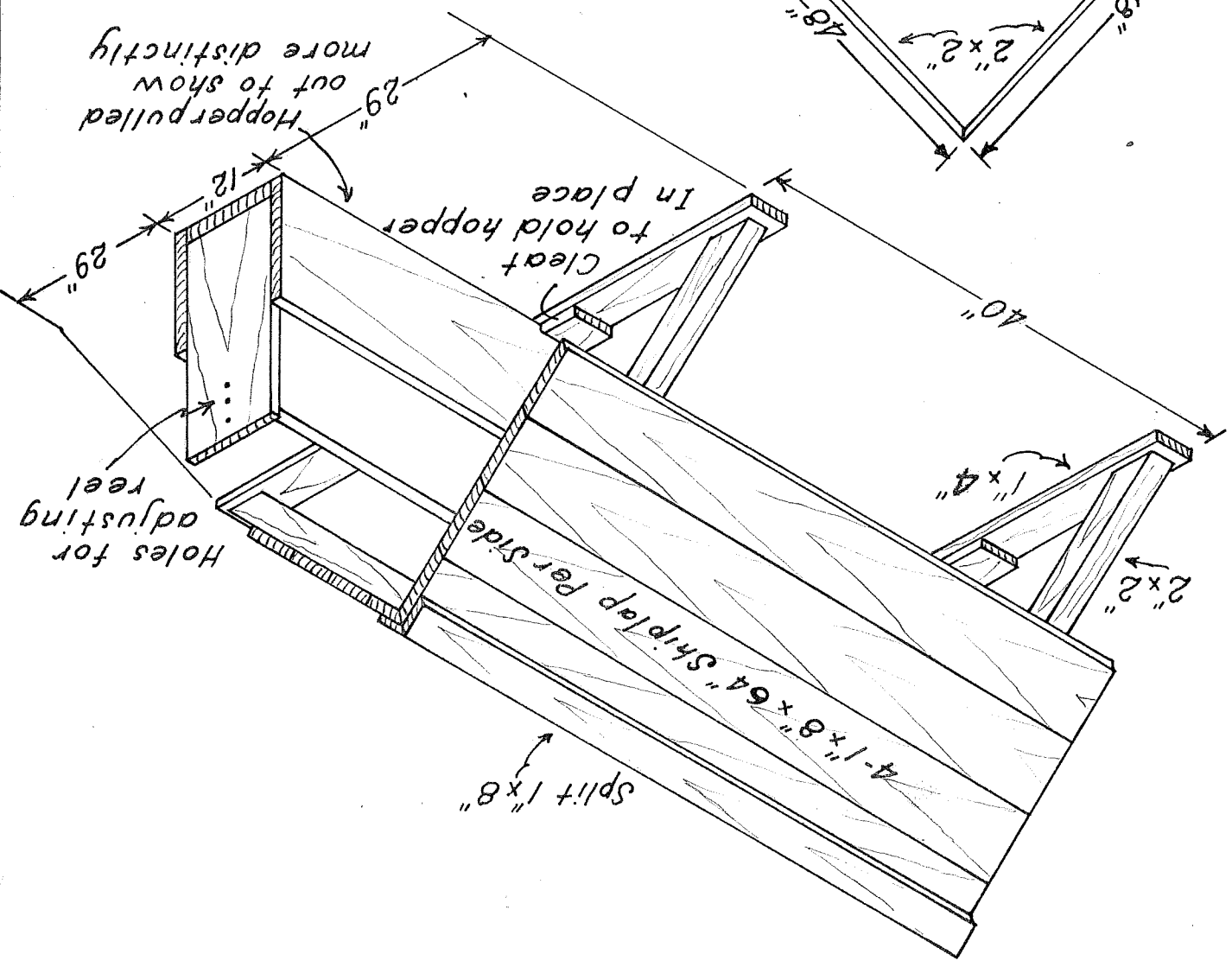
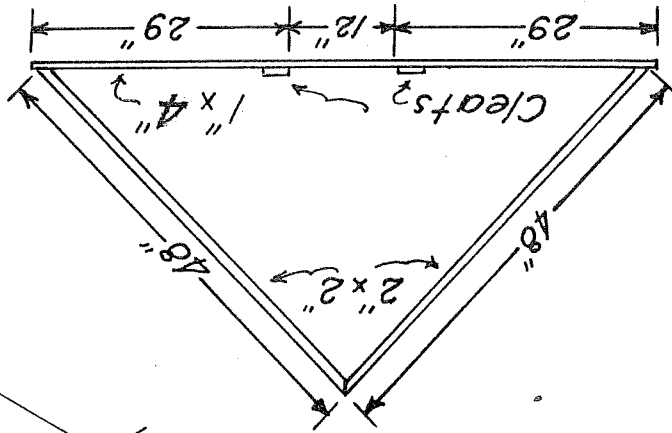
NORTH DAKOTA AGRICULTURAL COLLEGE
DEPT. { AGR. ENGINEERING
POULTRY HUSBANDRY, ETC. Co. 0000
POULTRY FEEDING EQUIPMENT
PLAN NO. ND 7271-1-1 DATE: MARCH '32
C.F.K.

2/18



Drawn By
 Agri. Eng. Dept.
 3/20/39 S.M.J.
 OK. H.M.

End View of Frame



Hopper pulled
 out to show
 more distinctly

Cleat
 to hold hopper
 in place

Holes for
 adjusting
 reel

Turkey Feed Hopper Shelter

271

56

27