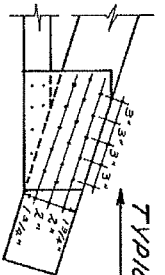
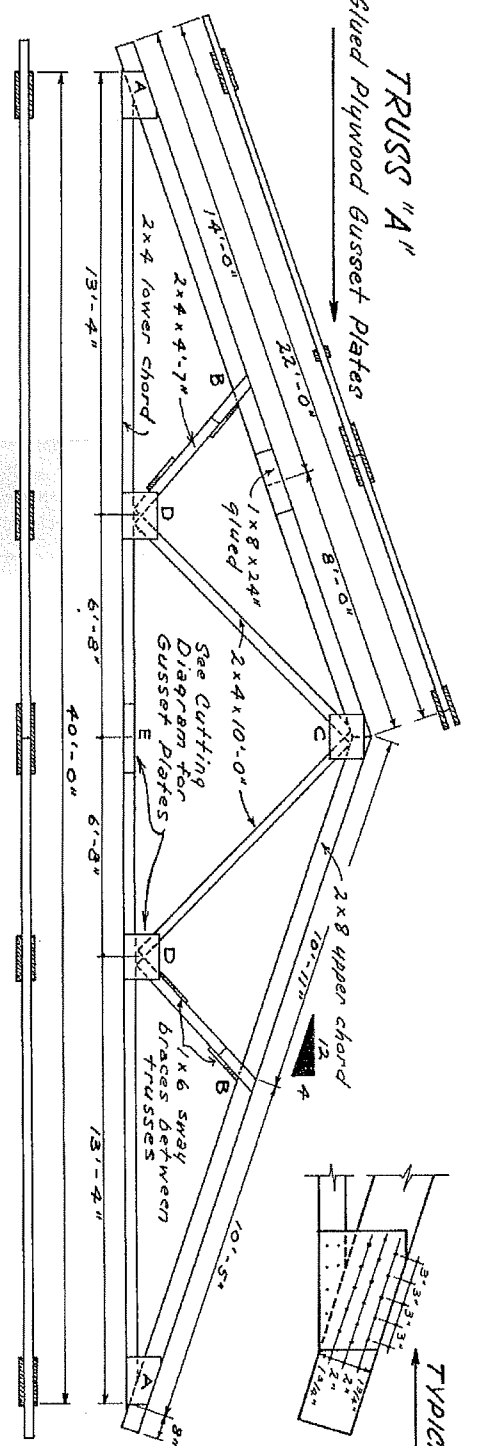


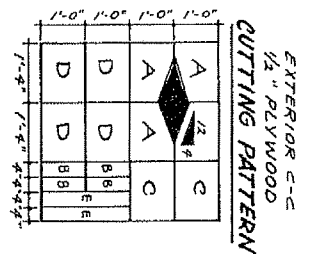




**TRUSS "A"**  
 Glued Plywood Gusset Plates

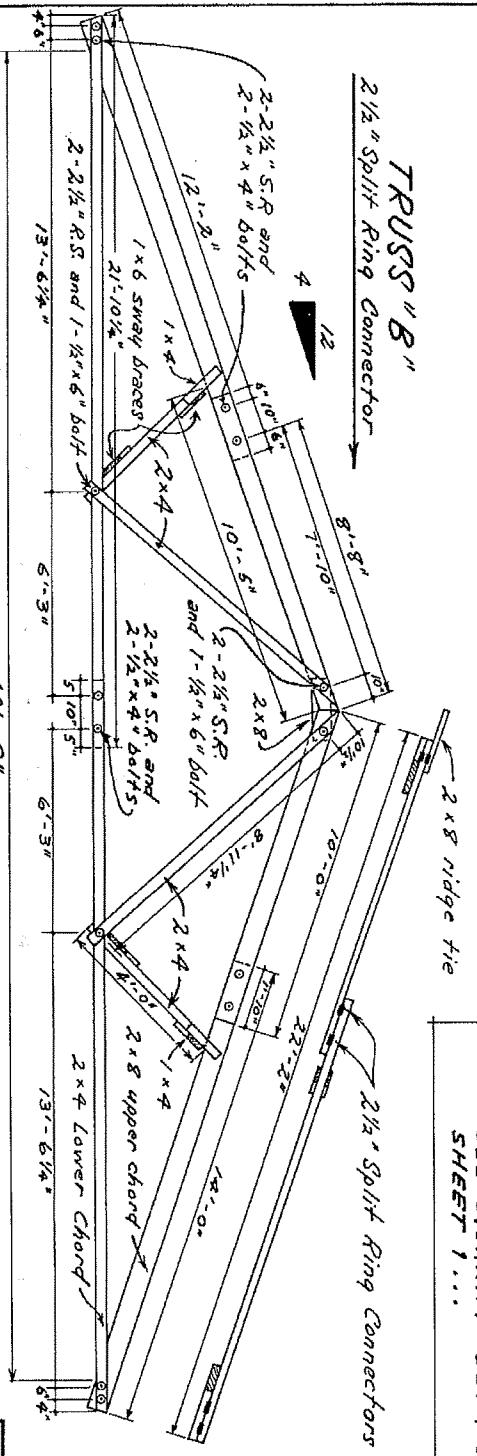


TYPICAL NAILING PATTERN



NOTE: USE 2-2x8x14' TOP CHORDS.  
 WHEN OVERHANG IS DESIRED.  
 SEE OVERHANG DETAIL ON SHEET 1...

**TRUSS "B"**  
 2 1/2" Split Ring Connector



21'-10 1/4"

COOPERATIVE EXTENSION WORK IN  
 AGRICULTURE AND HOME ECONOMICS  
 STATE COLLEGE OF NORTH DAKOTA  
 NORTH DAKOTA STATE UNIVERSITY  
 OF AGRICULTURE AND APPLIED SCIENCE AND  
 MECHANICAL ENGINEERING DEPARTMENT  
 40' CLEAR SPAN POLE  
 TYPE LIVESTOCK BARN  
 N.D. 724-1-5 Sheet 3 of 3  
 DATE: 8-1-64 (REV)