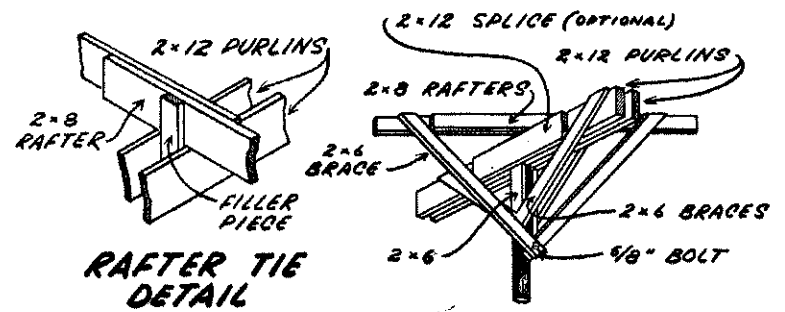


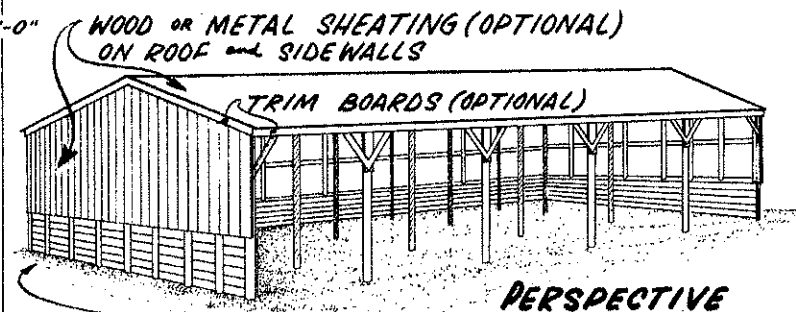
NOTE: USE RING SHANK OR SCREW TYPE NAILS FOR ALL NAILING INTO PRESSURE TREATED POLES...

FLOOR PLAN

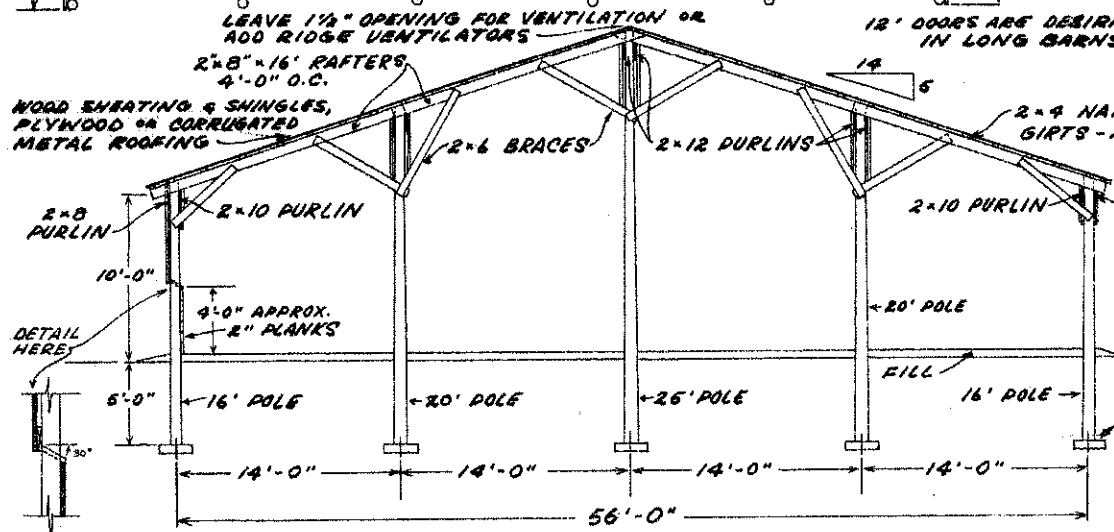


RAFTER TIE DETAIL

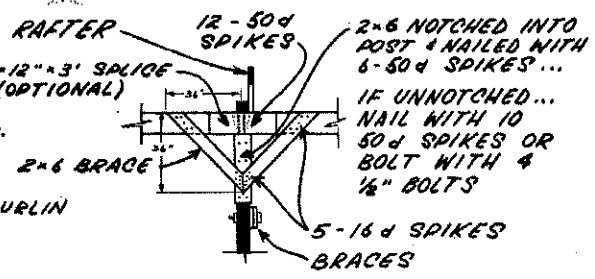
RAFTER JOINT DETAIL



PERSPECTIVE



CROSS SECTION



DETAIL OF BRACES AT PURLIN

LEAVE 1/2" OPENING FOR VENTILATION OR ADD RIDGE VENTILATORS

12' DOORS ARE DESIRABLE IN LONG BARN

WOOD SHEATHING & SHINGLES, PLYWOOD OR CORRUGATED METAL ROOFING

2x4 NAILING GIRTS - 2'-0" O.C.

2x12"x3" SPLICE (OPTIONAL)

IF UNNOTCHED... NAIL WITH 10 50d SPIKES OR BOLT WITH 4 1/2" BOLTS

USE PRESSURE TREATED POLES AND FRAMING MATERIALS FOR ALL SECTIONS IN CONTACT WITH THE GROUND.

COOPERATIVE EXTENSION WORK IN AGRICULTURE AND HOME ECONOMICS
STATE OF NORTH DAKOTA
NORTH DAKOTA AGRICULTURAL COLLEGE
AND
UNITED STATES DEPARTMENT OF AGRICULTURE COOPERATING

**56 FT. POLE BARN
GABLE ROOF**

N.D. 724-1-4 DATE: 12-1-56

Reference to 13