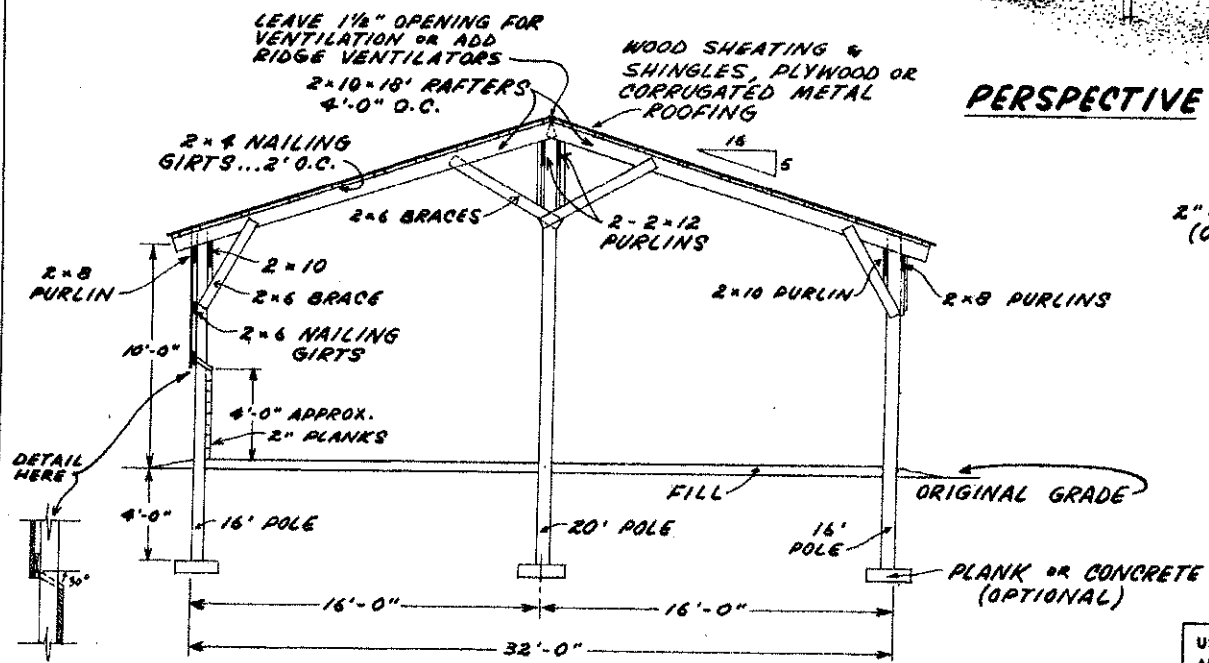
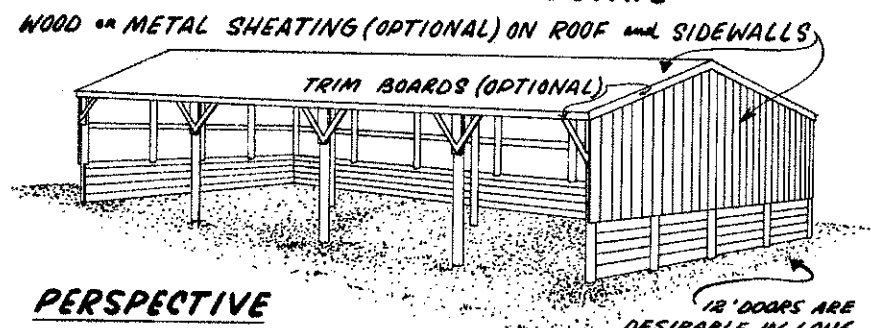
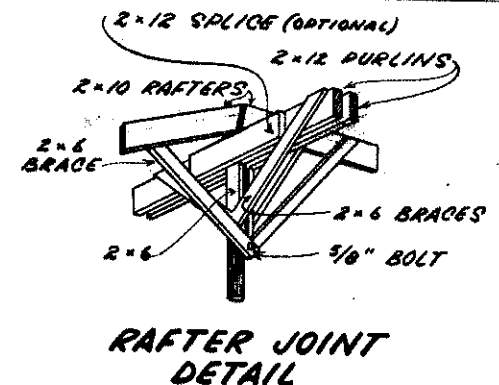
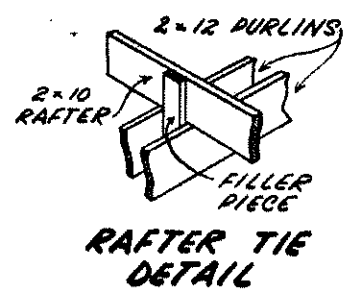
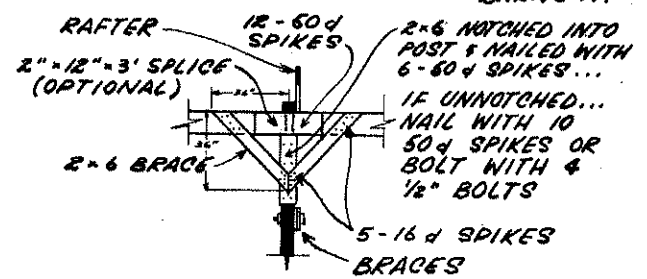


FLOOR PLAN



CROSS SECTION



DETAIL OF BRACES AT PURLIN

USE PRESSURE TREATED POLES AND FRAMING MATERIALS FOR ALL SECTIONS IN CONTACT WITH THE GROUND.

COOPERATIVE EXTENSION WORK IN AGRICULTURE AND HOME ECONOMICS
STATE OF NORTH DAKOTA
NORTH DAKOTA AGRICULTURAL COLLEGE
AND
UNITED STATES DEPARTMENT OF AGRICULTURE COOPERATING

**32 FT. POLE BARN
GABLE ROOF**

N.O. 724-1-2 DATE: 12-1-56

Reference 13'