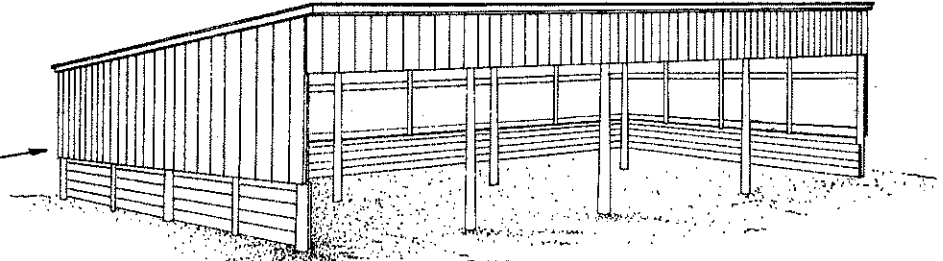
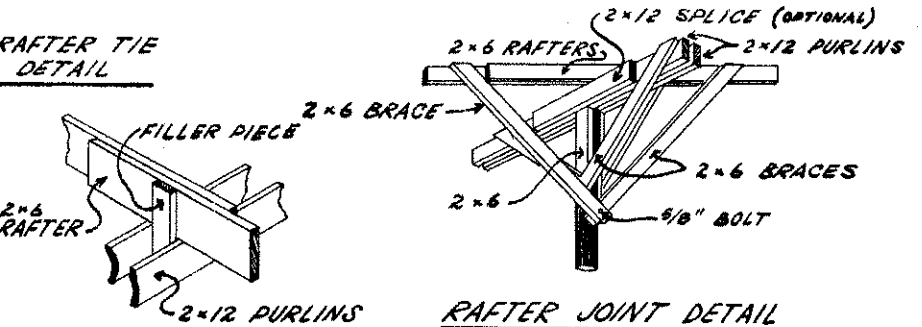


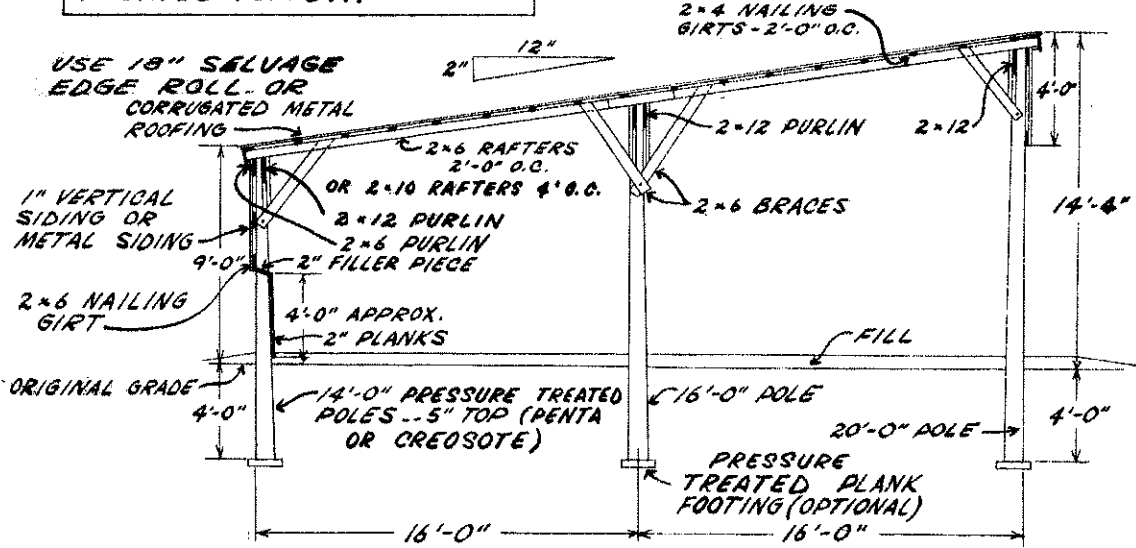
FLOOR PLAN

12 FT. END DOORS ARE DESIRABLE IN LONG BARN

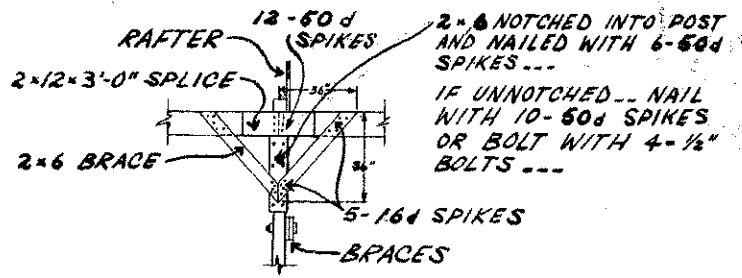


PERSPECTIVE

NOTE: USE RING SHANK OR SCREW TYPE NAILS FOR ALL NAILING INTO PRESSURE TREATED POLES...



SECTION



DETAIL OF BRACES AT PURLIN

USE PRESSURE TREATED POLES AND FRAMING MATERIALS FOR ALL SECTIONS IN CONTACT WITH THE GROUND.

COOPERATIVE EXTENSION WORK IN AGRICULTURE & HOME ECONOMICS
STATE OF NORTH DAKOTA
NORTH DAKOTA AGRICULTURE COLLEGE
and
UNITED STATES DEPARTMENT OF AGRICULTURE COOPERATING

32 FT. POLE-TYPE LIVESTOCK BARN
N.D. 724-1-1 DATE 10-1-55

Revised to 14"