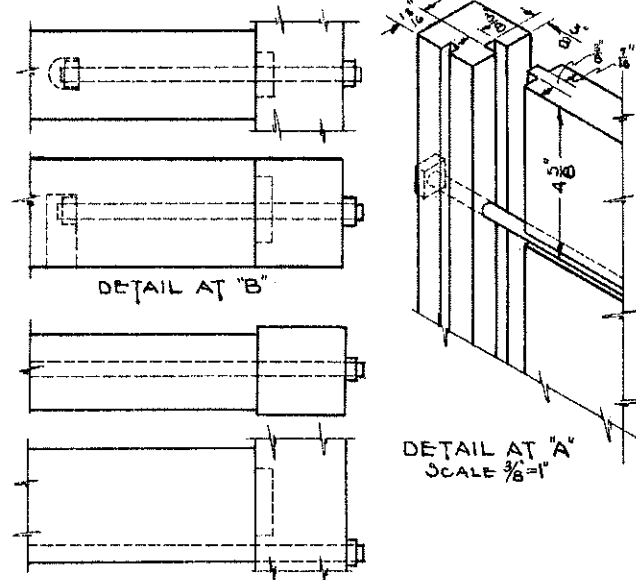
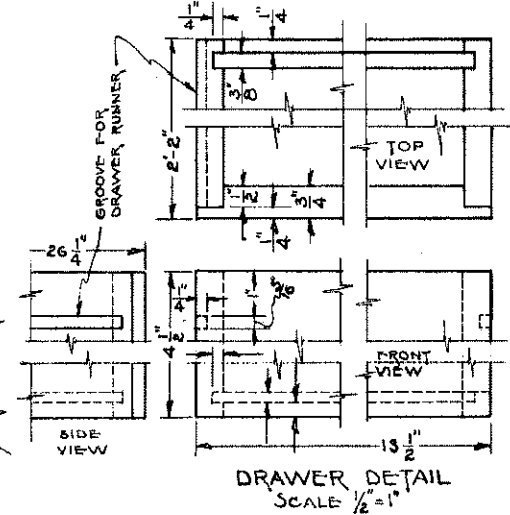


TOP VIEW

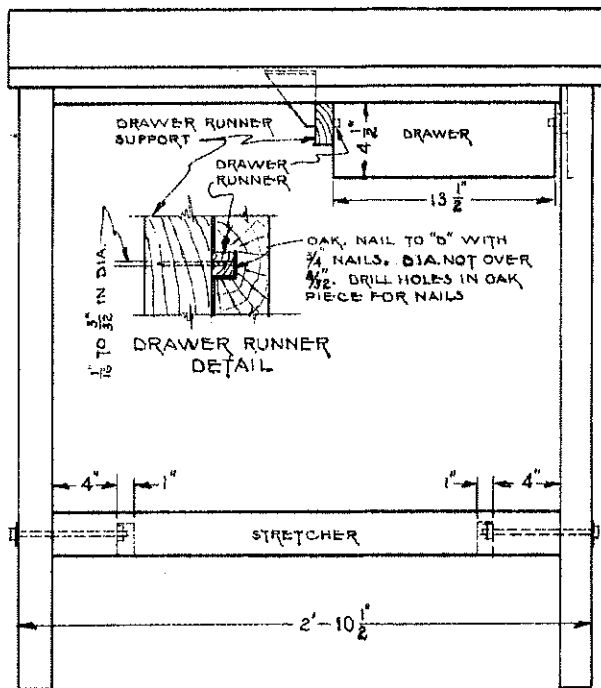


DETAIL AT "B"

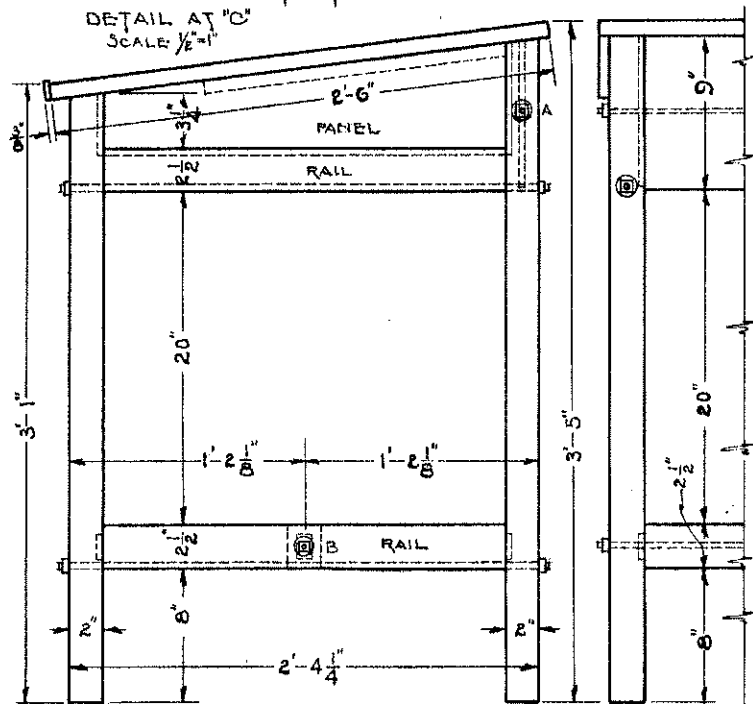
DETAIL AT "A"
SCALE 3/8"=1"



DRAWER DETAIL
SCALE 1/2"=1"



FRONT VIEW
SCALE 3/16"=1"



SIDE VIEW
SCALE 3/16"=1"

BACK VIEW

BILL OF MATERIALS		
NO.	SIZE	DESCRIPTION
2	2 1/2" x 37"	FRONT LEGS
2	2 1/2" x 40"	BACK "
4	2 x 2 1/2 x 26 1/2	SIDE RAILS
1	1 1/4" x 9 1/4" x 31"	BACK RAIL
1	2 x 2 1/2 x 32"	STRETCHER
1	1 1/2" x 31"	FRONT RAIL
1	1/2" x 12" x 26"	PLY-WOOD PANELS
2	1 1/2" x 18"	CLEATS
1	1/2" x 30 x 36"	5 PLY TABLE TOP
1	1/2" x 1" x 36"	OAK FOR " " CLEAT
1	1/4" x 1 1/2" x 18 1/2"	DRAWER FRONT
2	1/2" x 1 1/2" x 26 1/2"	" " SIDES
1	1/2" x 4 x 18"	" " BACK
1	1/2" x 13" x 26"	5 PLY " BOTTOM
2	1/4" x 3/16" x 26"	OAK " RUNNERS
1	1/4" x 6" x 26 1/2"	DRAWER " SUPPORT
1	1/4" x 1 1/4" x 26"	RIGHT " " "
		BRACE " " "
4	3/8" x 30"	BOLTS
1	3/8" x 35 3/8"	" " "
2	1/2" x 7"	" " "
14		WASHERS

COOPERATIVE EXTENSION WORK IN
 AGRICULTURE AND HOME ECONOMICS
 STATE OF NORTH DAKOTA
 NORTH DAKOTA AGRICULTURAL COLLEGE
 AND
 U.S. DEPT. OF AGRICULTURE COOPERATING
 EXT. AGR'L ENGINEER FARGO, N. DAK.

DRAWING TABLE
 PLAN NO. ND 72-5-107N BY J.S. BO DATE 5/4/37