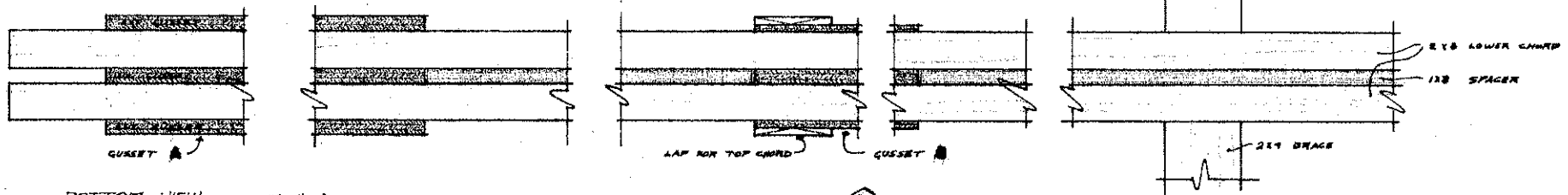


ELEVATION SCALE 1/4" = 1'-0"

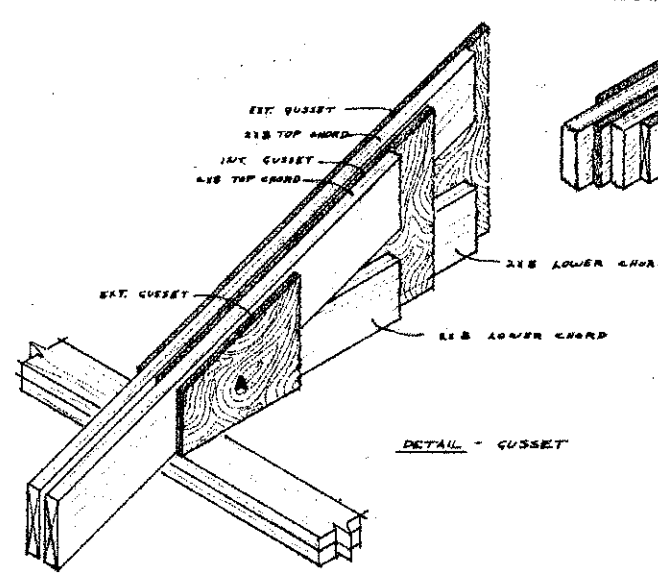


BOTTOM VIEW SCALE 3/4" = 1'-0"

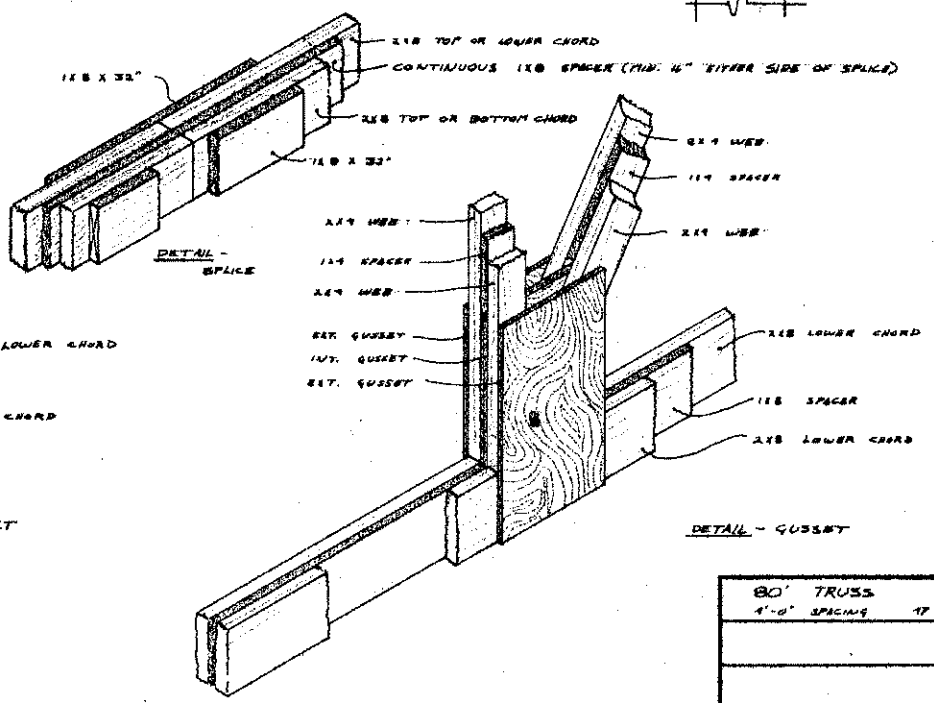
GUSSET	(THICKNESS GRAY)	(THICKNESS GRAY)	HEIGHT	WIDTH
A	1/2"	1/2"	1"	12"
B	1/2"	1/2"	1"	12"
C	1/2"	1/2"	1"	12"
D	1/2"	1/2"	1"	12"
E	1/2"	1/2"	1"	12"
F	1/2"	1/2"	1"	12"
G	1/2"	1/2"	1"	12"

WEB	HEIGHT	WEB SIZE
W1	8'-8"	2-2x4
W2	11'-1"	2-2x4
W3	6'-0"	2-2x4
W4	13'-3"	2-2x4
W5	9'-4"	2-2x4
W6	15'-9"	2-2x4
W7	12'-0"	2-2x4

NOTE:
 1x4 SPACER BETWEEN ALL WEBS.
 1x8 SPACER BETWEEN ALL CHORDS.
 GLUE-NAIL ALL GUSSETS (16d NAILS) AS SHOWN ON P. 5. GLUE TRUSS BOSS
 ALL GUSSETS ARE C-C EXT. PLYWOOD
 LAP JOINTS ARE 1x4 x 18"
 GUSSETS C, D, E, F, G ARE ASSEMBLED IN SAME WAY AS B
 SPLICES ARE 1x8 x 32"



DETAIL - GUSSET



DETAIL - GUSSET

NOTE: See MWPS-3
 DESIGNS FOR GLUE TRUSSES
 FOR ADD'L DETAILS.

80' TRUSS		SCALE		DESIGNED BY	
4'-0" SPACING		17" TOTAL LOAD		A. GARDNER	
DATE		APPROVED BY		DESIGNED BY	
MAY, '70		N.D. 708-1-5		C.G.P.	