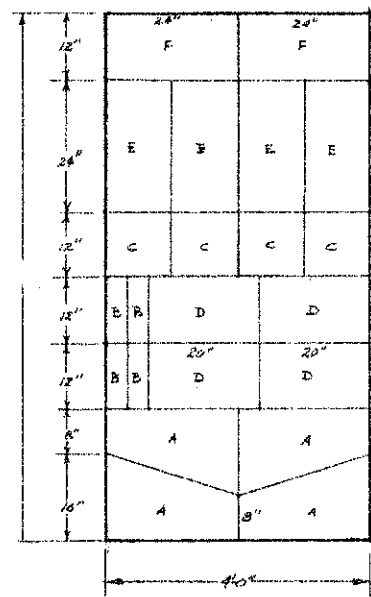
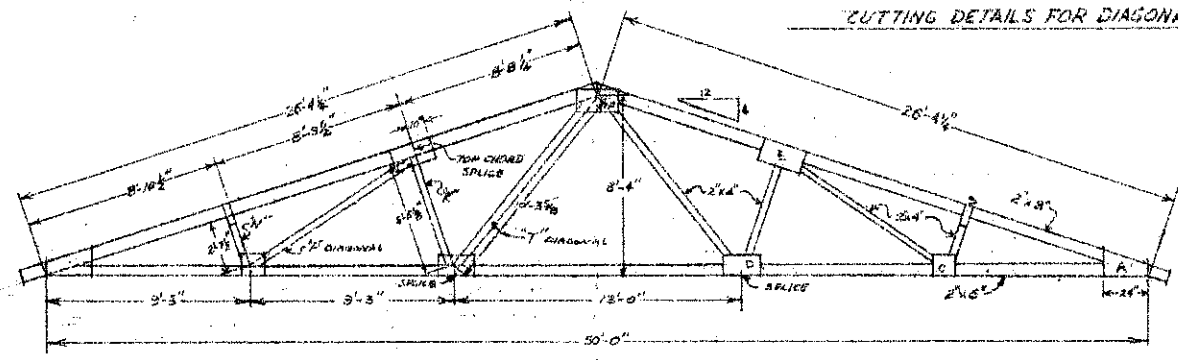


CUTTING DETAILS FOR DIAGONALS



CUTTING DIAGRAM FOR GUSSET PLATES
SCALE: 3/4"=1'-0"



TRUSS PLAN
SCALE: 1/4"=1'-0"

TRUSS SPACING 4'-0" O.C.

IMPORTANT SPECIFICATIONS	LIST OF MATERIALS PER TRUSS			
1. USE 5/8" TH EXTERIOR PLYWOOD FOR GUSSET PLATES ON BOTH SIDES OF ALL JOINTS.	MEMBER	NO. OF PCS	SIZE	RB. FT.
2. ALL GUSSET PLATES ARE GLUED AND NAILED IN PLACE. USE CASHIN OR RESORCINOL RESIN GLUE & 6D BOX NAILS.	TOP CHORD (LONG SECTION)	2	2X8X18	48
3. MIX GLUE ACCORDING TO MANUFACTURER'S SPECIFICATIONS AND APPLY TO BOTH SURFACES TO BE JOINED.	TOP CHORD (SHORT SECTION)	2	2X8X10	27
4. ALL TRUSS MEMBERS ARE IN THE SAME PLANE & ALL JOINTS ARE BUTT JOINTS.	BOTTOM CHORD (LONG SEC.)	2	2X8X20	40
5. TRUSS MEMBERS ARE CUT TO LENGTH AND THE TRUSS IS ASSEMBLED IN A JIG IN A HORIZONTAL POSITION.	BOTTOM CHORD (SHORT SEC.)	1	2X8X14	14
6. THE ASSEMBLED TRUSS MAY BE MOVED CAREFULLY FROM THE JIG AFTER GUSSET PLATES HAVE BEEN APPLIED.	DIAGONALS (LONG)	4	2X4X10	27
7. LEAVE TRUSSES STACKED IN A HORIZONTAL POSITION FOR AT LEAST 24 HOURS AFTER ASSEMBLY.	DIAGONALS (S)	2	2X4X12	15
8. TRUSSES MAY BE PLACED ON FRAM WALLS, MASONRY WALLS OR POLE CONSTRUCTION.	6 D BOX NAILS	1 1/2	6D	1 1/2
9. IMPORTANT - ANCHOR TRUSSES TO WALLS.	PLYWOOD 5/8" EXTERIOR	1	5/8" X 4' X 8'	17 1/2
	CASHEIN OR RESORCINOL RESIN GLUE	1 1/2		

50 FT. CLEAR-SPAN TRUSS
GLUE-NAIL CONSTRUCTION
1/4 PITCH
ADOPTED FROM MICHIGAN STATE UNIVERSITY PLAN NO. 708-CI-74
COOPERATIVE EXTENSION SERVICE
AGRICULTURAL ENGINEERING DEPT.
M.S.U. JULY 1962
ME-708-1-3