

FIG. 6 ATTACHING BUCKLE TO STRAP

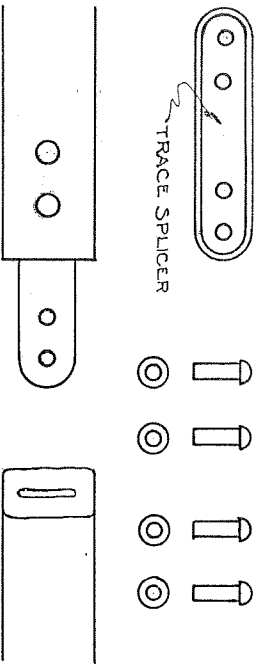


FIG. 5. TRACE REPAIR

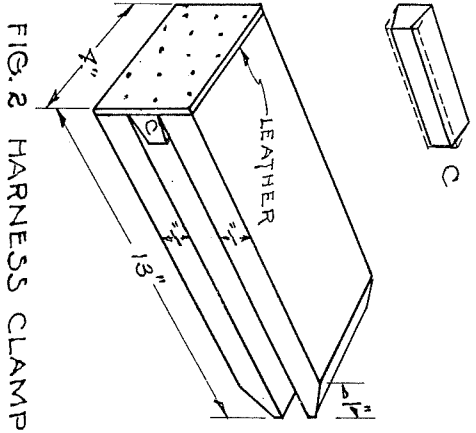


FIG. 2 HARNESS CLAMP

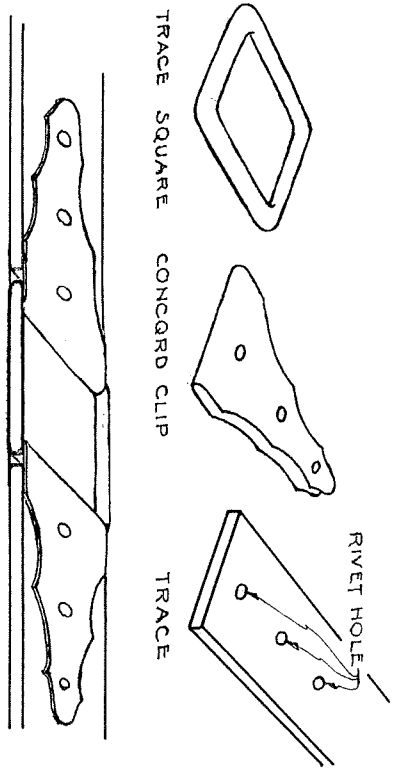


FIG. 3 TRACE REPAIR

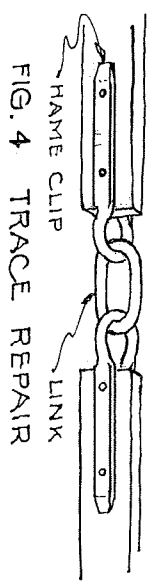


FIG. 4 TRACE REPAIR

COOPERATIVE EXTENSION WORK IN
 AGRICULTURE AND HOME ECONOMICS
 STATE OF NORTH DAKOTA
 NORTH DAKOTA AGRICULTURAL COLLEGE
 AND
 U.S. DEPT. OF AGRICULTURE COOPERATING
 EXT. AGR. L. ENGINEER - FARGO, N. DAK.

HARNESS REPAIR

PLAN NO. ND. 4121-1 DRAWN BY *WGS* DATE *24/2/37*
GRK