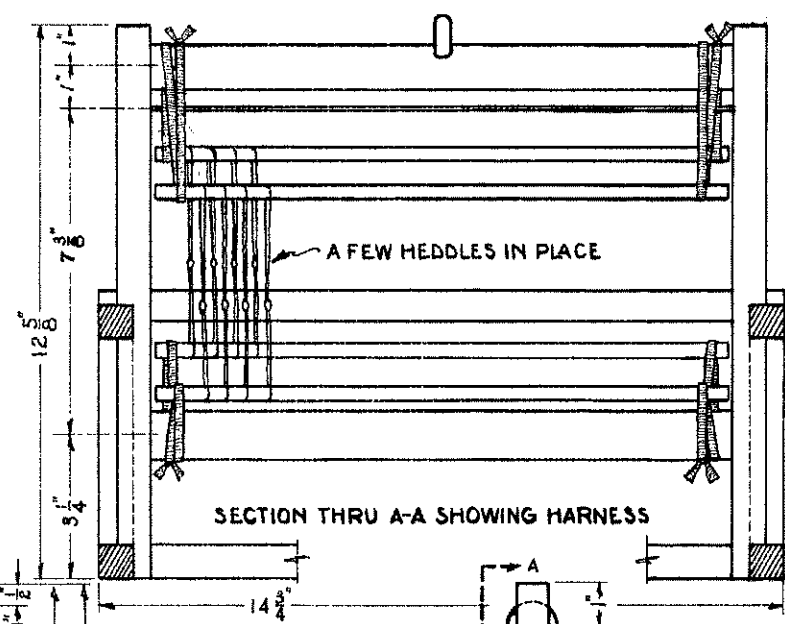
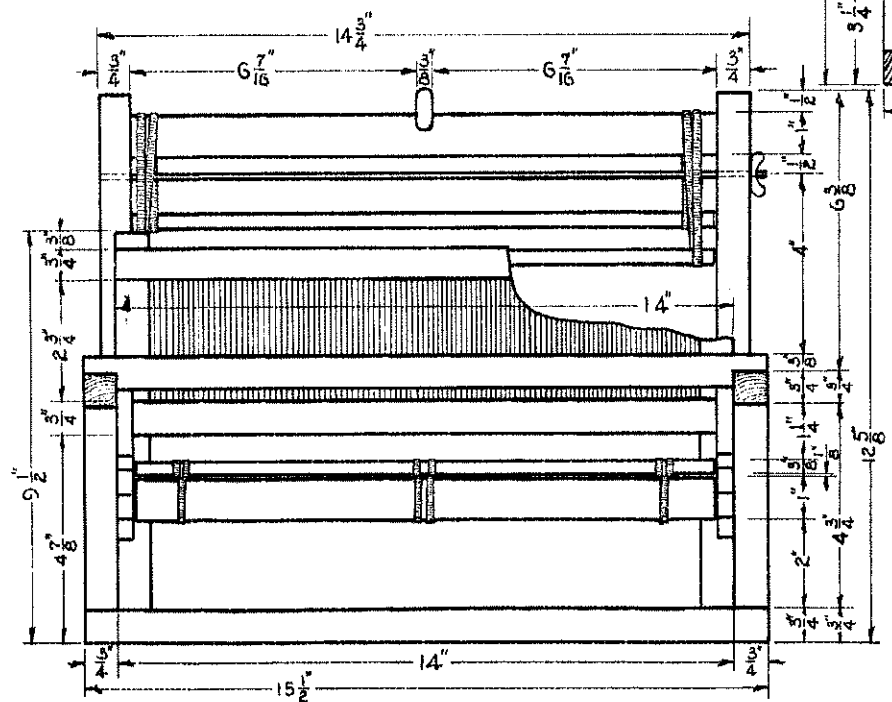


BEATER

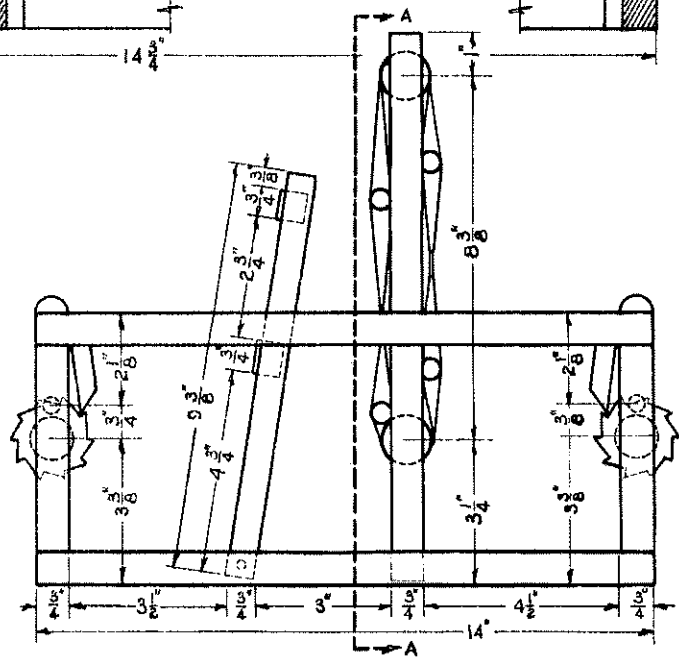


A FEW HEDDLES IN PLACE

SECTION THRU A-A SHOWING HARNESS



FRONT VIEW



END VIEW

SCALE 1/2" = 1"

COOPERATIVE EXTENSION WORK IN  
 AGRICULTURE AND HOME ECONOMICS  
 STATE OF NORTH DAKOTA  
 NORTH DAKOTA AGRICULTURAL COLLEGE  
 AND  
 U.S. DEPT. OF AGRICULTURE COOPERATING  
 EXT. AGRI. ENGINEER, FARGO, N. DAK.  
 12-INCH LOOM  
 PLAN NO. N.D. 380-3-1 DRN BY J.S.C.B./7/AB