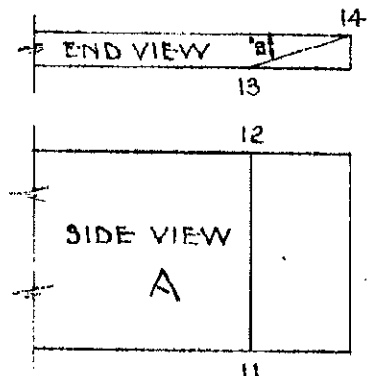
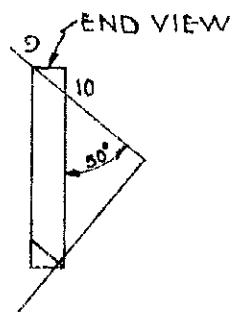
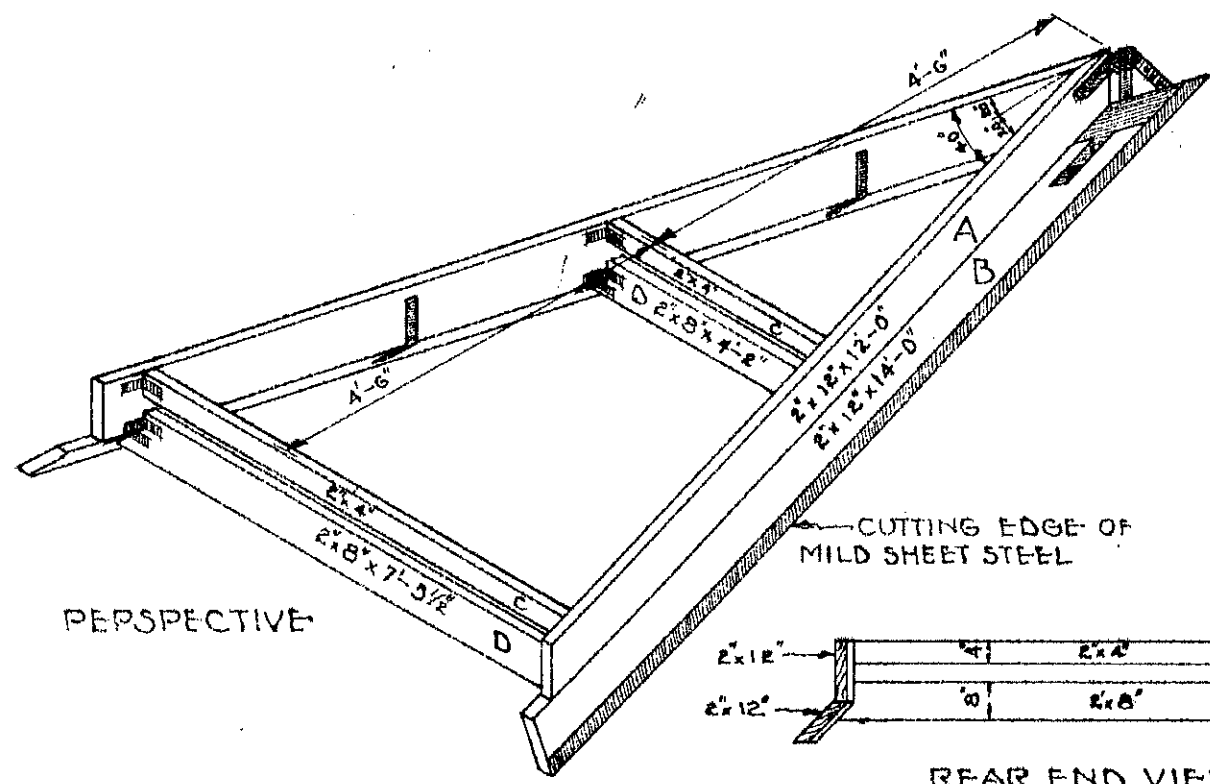


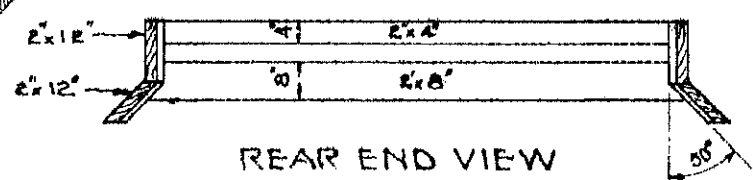
BEVEL CUTS FOR PLANK "B"



BEVEL CUT FOR PLANK "A"



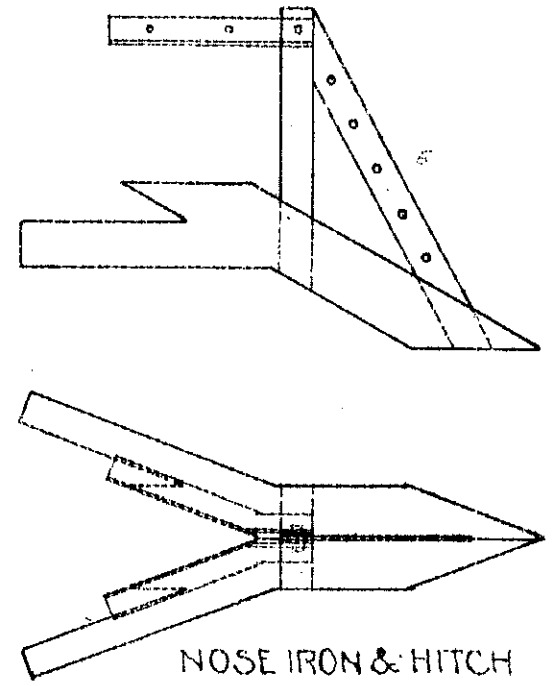
PERSPECTIVE



REAR END VIEW

BILL OF MATERIALS

- 1-2'x4'x12'-0"
- 1-2'x8'x12'-0"
- 2-2'x12'x14'-0"
- 2-2'x12'x12'-0"
- 1 BAR MILD STEEL 1/4"x1 1/2"x16'-0"
- 2 " " 3/8"x2"x16'-0"
- 1 PIECE COULTER STEEL 1/2"x2'x2'-2"
- 1 " PLOW STEEL SOFT CENTER 1/4"x4'x5'-6"
- 1 " MILD STEEL 1/4"x2'x4'-0"
- 60 CARRIAGE BOLTS 3/8"x2 1/2"
- 16 COUNTERSUNK BOLTS 5/16"x2 1/2"



NOSE IRON & HITCH

COOPERATIVE EXTENSION WORK IN
 AGRICULTURE AND HOME ECONOMICS
 STATE OF NORTH DAKOTA
 NORTH DAKOTA AGRICULTURAL COLLEGE
 AND
 U. S. DEPT. OF AGRICULTURE COOPERATING
 EXT. AGR'L. ENGINEER - FARGO, N. DAK.

V-SNOW PLOW

PLAN NO. N.D. 3610 DRAWN BY J/6 DATE 3/1/39