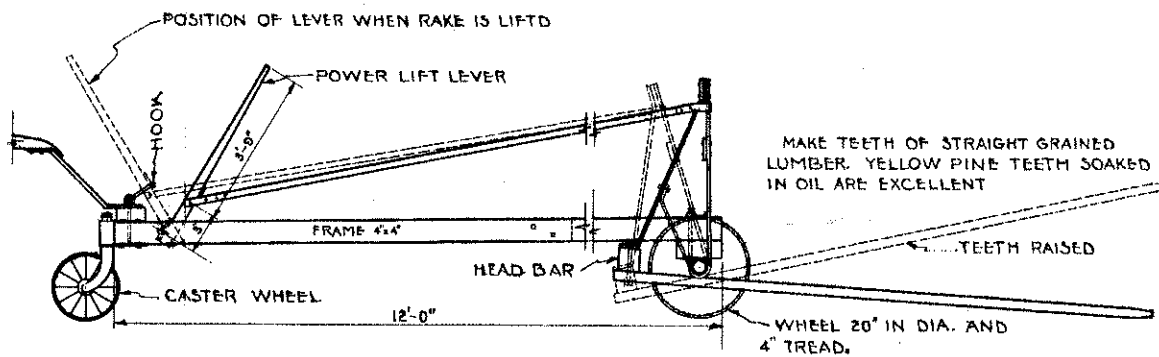
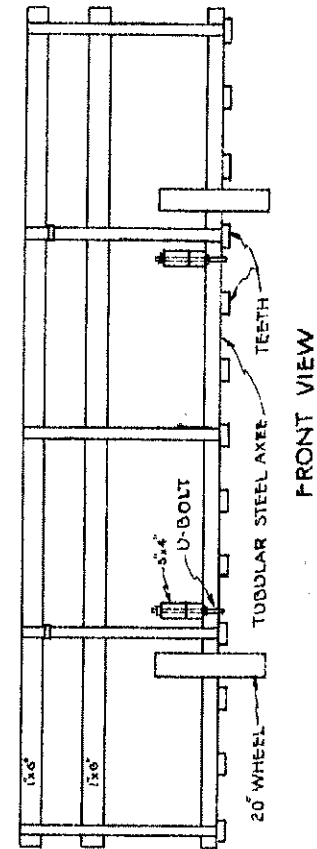
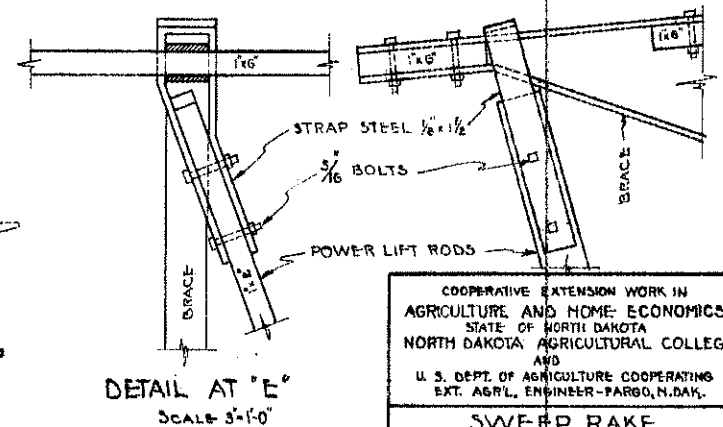


TOP VIEW



SIDE VIEW

SCALE 3/4"=1'-0"



COOPERATIVE EXTENSION WORK IN
AGRICULTURE AND HOME ECONOMICS
STATE OF NORTH DAKOTA
NORTH DAKOTA AGRICULTURAL COLLEGE
AND
U. S. DEPT. OF AGRICULTURE COOPERATING
EXT. AGR'L. ENGINEER-FARGO, N. DAK.
SWEEP RAKE 17
PLAN No. N. D. 358 DRAWN BY *W. O.* OCT. 9 '41