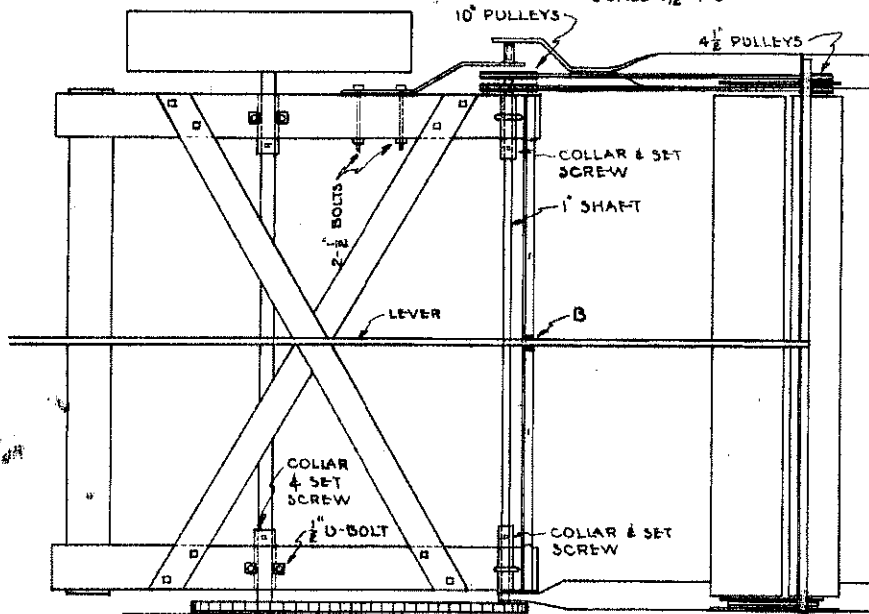
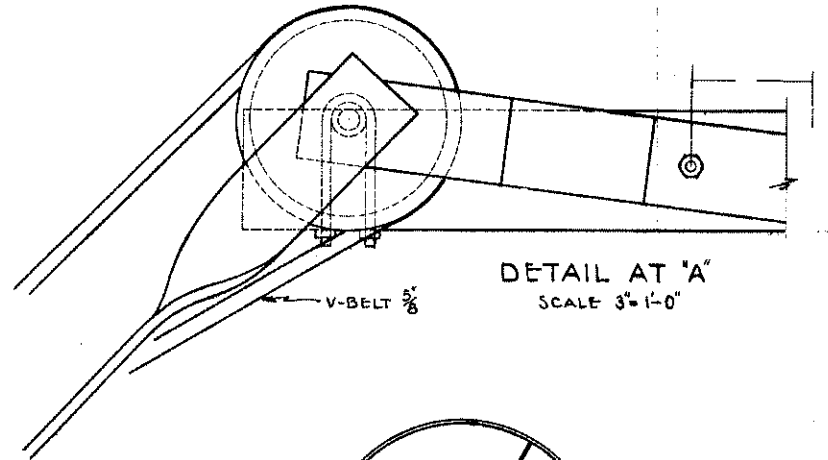
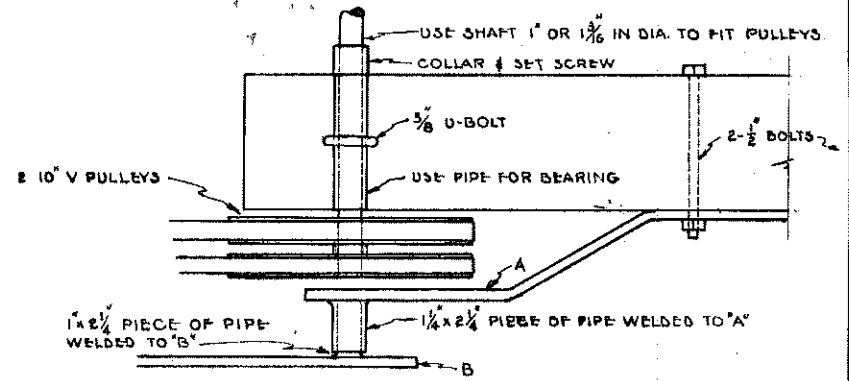


DETAIL AT 'B'

SCALE 1 1/2" = 1'-0"

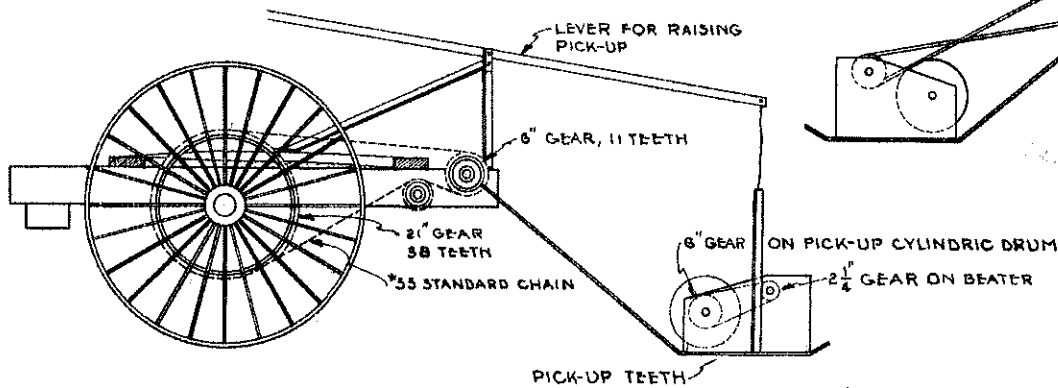


PLAN



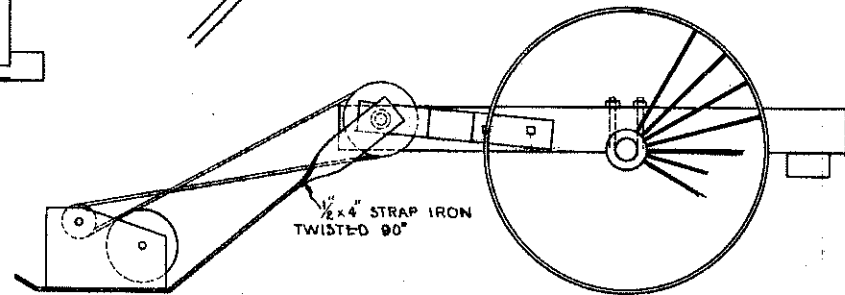
DETAIL AT 'A'

SCALE 3" = 1'-0"



LEFT END VIEW

SCALE 1 1/2" = 1'-0"



RIGHT END VIEW

COOPERATIVE EXTENSION WORK IN
 AGRICULTURE AND HOME ECONOMICS
 STATE OF NORTH DAKOTA
 NORTH DAKOTA AGRICULTURAL COLLEGE
 AND
 U. S. DEPT. OF AGRICULTURE COOPERATING
 EXT. AGR'L. ENGINEER, FARGO, N. DAK.
 SWATH VENTILATOR
 DESIGNED BY J. CLAYTON RUCKEL
 PLAN NO. N. D. 334-11-1 DRN BY M. DATE 6/17/44