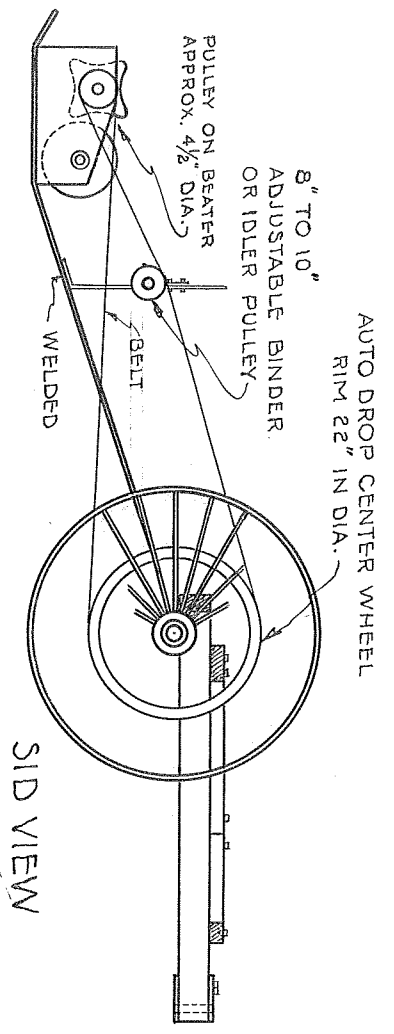


TOP VIEW



SID VIEW

COOPERATIVE EXTENSION WORK IN
 AGRICULTURE AND HOME ECONOMICS
 STATE OF NORTH DAKOTA
 NORTH DAKOTA AGRICULTURAL COLLEGE
 AND
 U. S. DEPT. OF AGRICULTURE COOPERATING
 EXT. AGR'L. ENGINEER, FARGO, N. DAK.

SWATH VENTILATOR

PLAN NO. N. D. 334-ID-1 DRWN BY *gld* DATE 26/3/43