

SIDE VIEW

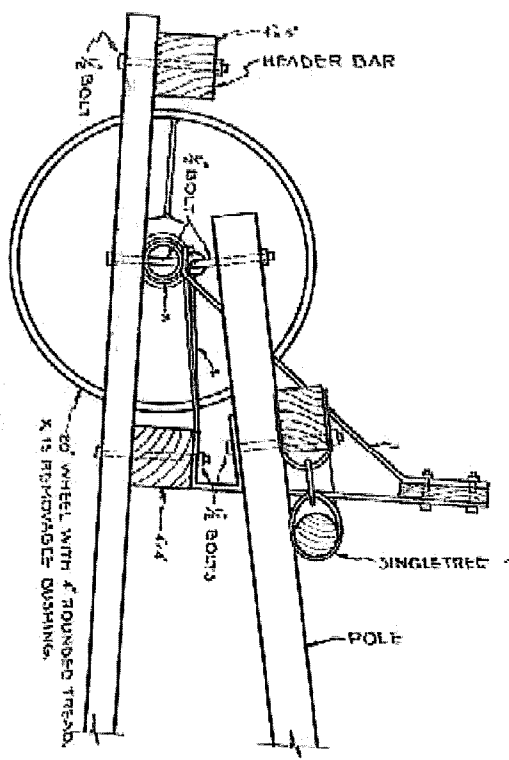
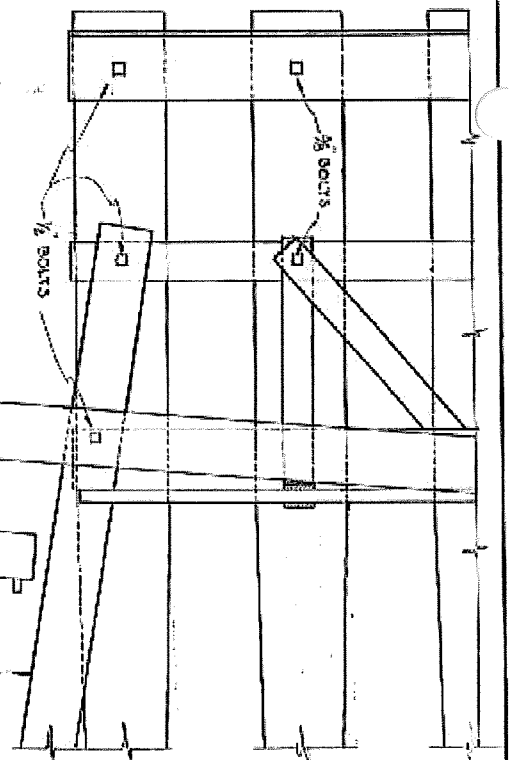
TOP VIEW

FRONT VIEW

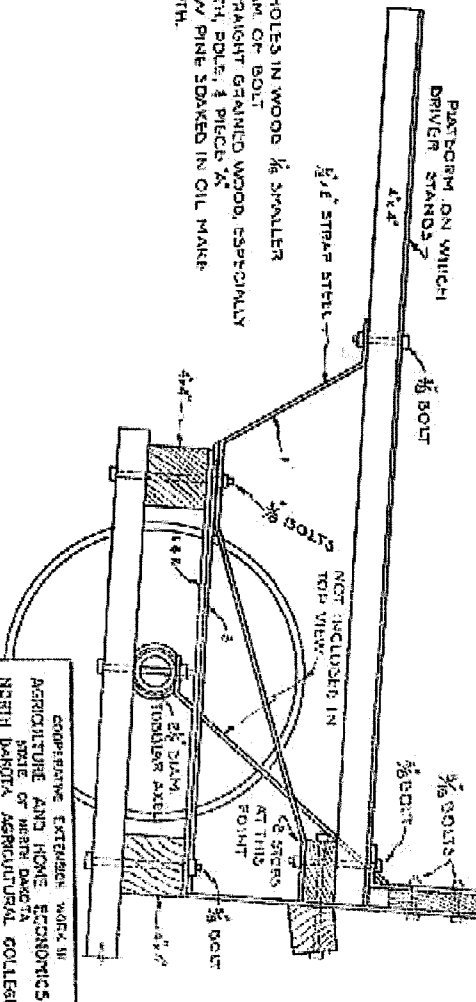
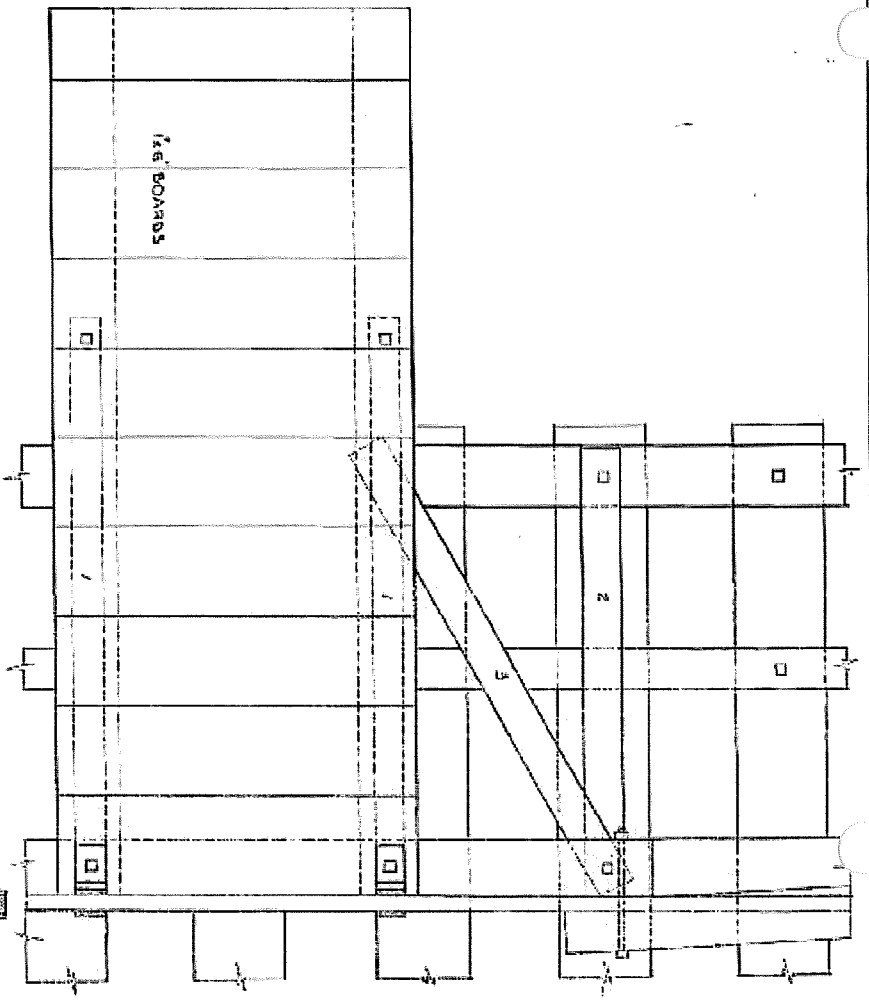
SCALE 3/4" = 1'-0"  
 NS 333-2-1

COOPERATIVE EXTENSION WORKS IN  
 AGRICULTURE AND HOME ECONOMICS  
 STATE OF NORTH DAKOTA  
 NORTH DAKOTA AGRICULTURAL COLLEGE  
 AND  
 U. S. DEPT. OF AGRICULTURE COOPERATING  
 EXT. AGENT ENGINEER KARL O. N. DAVIS

**SWEEP RAKE**  
 PLAN NO. ND. 333-2-1 DRAWN BY *M. D. DAVIS*



SECTION THRU A-A  
SCALE 2-1-0



NOTE:  
GORE HOLES IN WOOD 1/8\"/>

SECTION THRU B-B  
SCALE 2-1-0

ND 333-3-2

COOPERATIVE EXTENSION WORK IN  
AGRICULTURE AND HOME ECONOMICS  
STATE OF NORTH DAKOTA  
NORTH DAKOTA AGRICULTURAL COLLEGE  
AND  
U. S. DEPT. OF AGRICULTURE COOPERATING  
EXT. AGRIC. ENGINEER FARGO, N. DAK.  
PAPER NO. N. D. 333-3-2 DRAWN BY G. A. MOYER '34