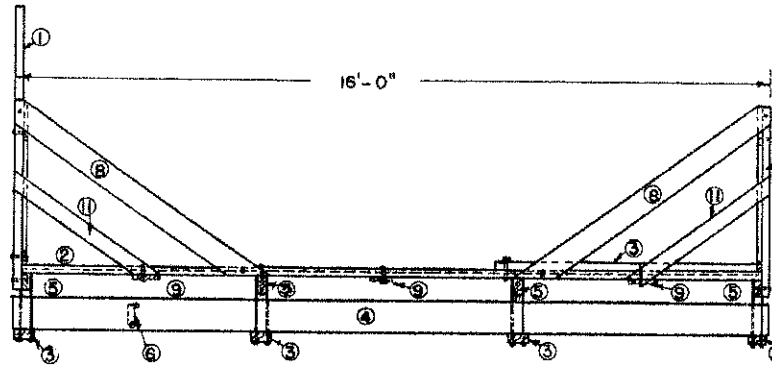
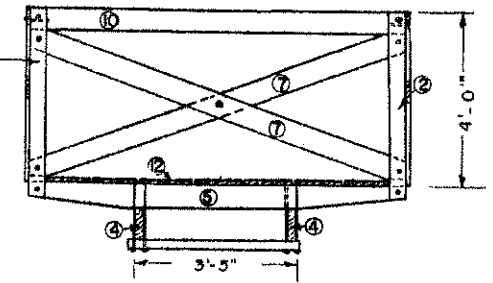


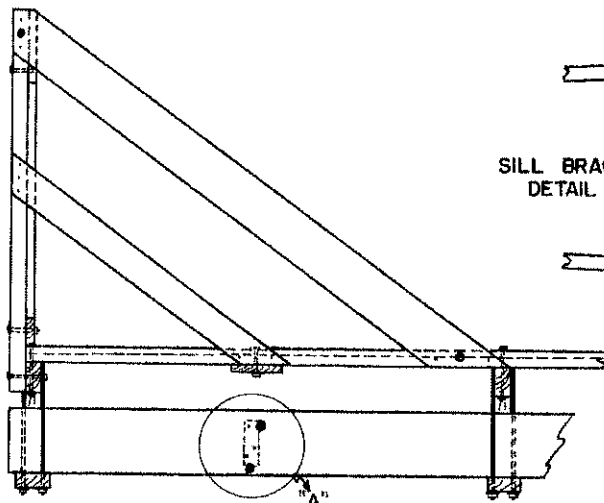
FRONT END



SIDE VIEW

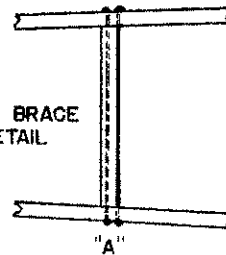


REAR END



DETAIL OF BRACING

SILL BRACE
DETAIL



$\frac{5}{16}$ " BOLTS USED

NO.	SIZE
17	3"
11	3½"
6	5"
10	5½"
1	2"

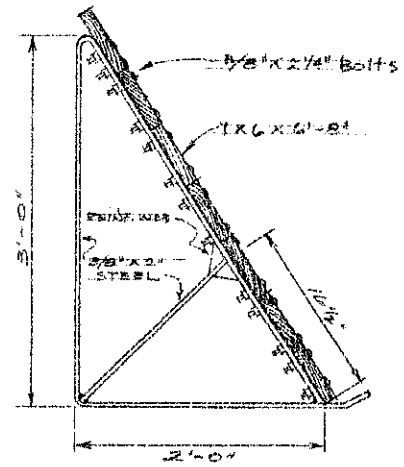
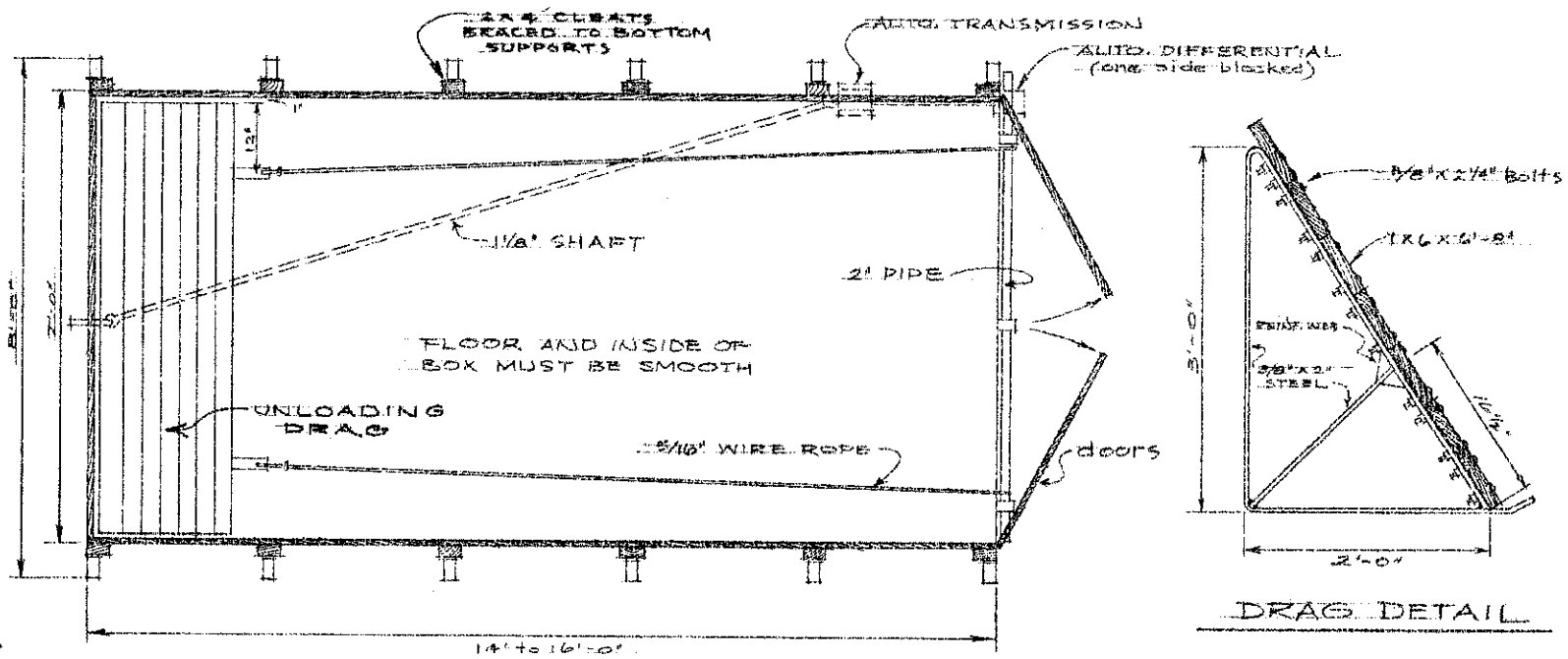
BILL OF MATERIAL

①	1 - 2" x 4" x 6'-0"	LINE POST
②	3 - 2" x 4" x 16'-0"	CORNER POSTS & SIDE PLATES
③	2 - 2" x 4" x 12'-0"	REMOVABLE PLATES & SILL CARRIERS
④	2 - 2" x 8" x 16'-0"	SILLS
⑤	2 - 2" x 6" x 16'-0"	CROSS PIECES
⑥	1 - 2" x 6" x 2'-0"	SILL BRACE
⑦	2 - 1" x 6" x 18'-0"	END BRACES
⑧	2 - 1" x 6" x 14'-0"	SIDE BRACES
⑨	1 - 1" x 6" x 16'-0"	FLOOR BRACES
⑩	1 - 1" x 6" x 8'-0"	"
⑪	1 - 1" x 6" x 16'-0"	HORIZONTAL END BRACES
⑫	1 - 1" x 4" x 16'-0"	SIDE BRACES
⑬	7 - 1" x 12" x 18'-0"	FLOOR BOARDS

COOPERATIVE EXTENSION WORK IN
AGRICULTURE AND HOME ECONOMICS
 STATE OF NORTH DAKOTA
NORTH DAKOTA AGRICULTURAL COLLEGE
 AND
 U. S. DEPT. OF AGRICULTURE COOPERATING
 EXT. AGR'L ENGINEER- FARGO, N. DAK.

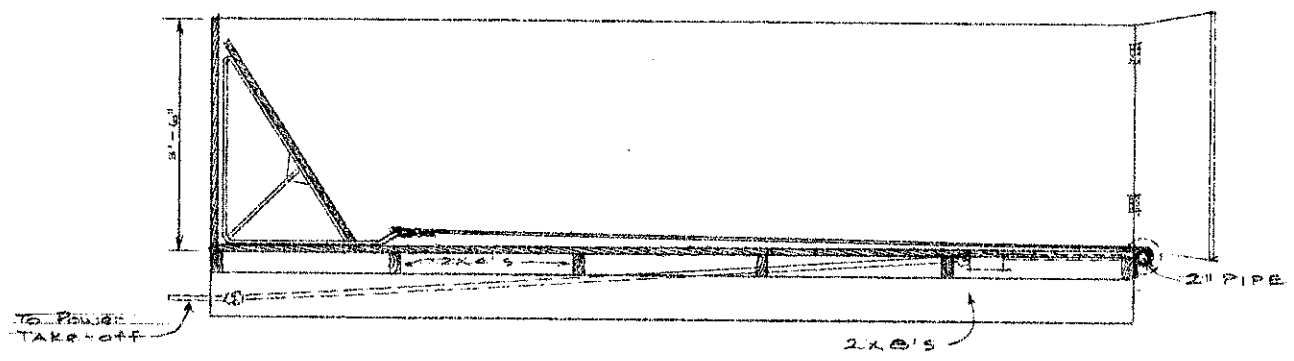
HAY RACK

PLAN NO. 333-2-1 N.D.



DRAG DETAIL

PLAN



SIDE VIEW

		SCALE	DRAWN BY
			REVISED
DATE	APPROVED BY	DRAWING NUMBER	