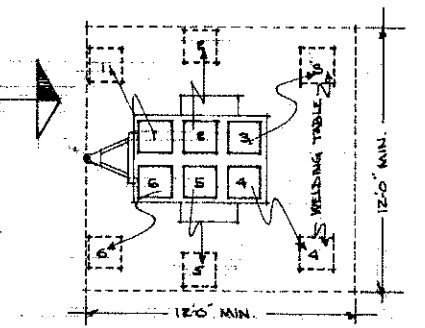
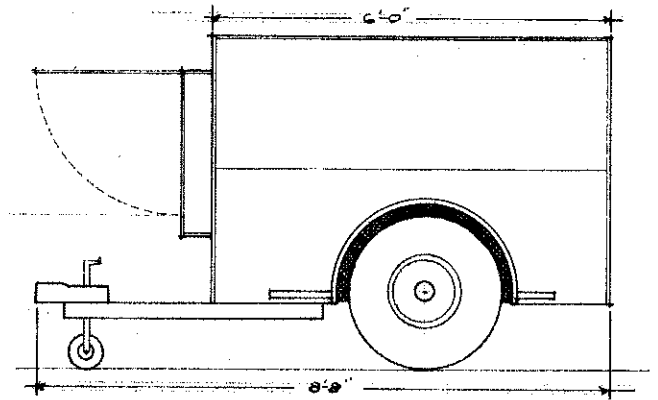
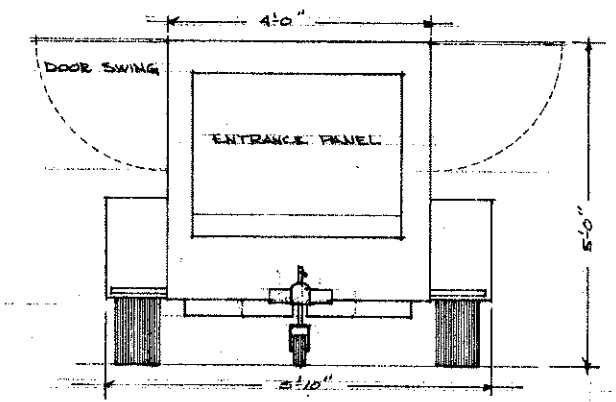


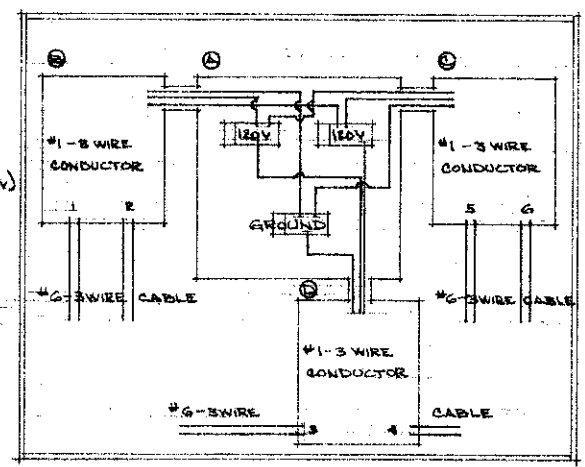
12 FT X 12 FT MIN. SPACE
FOR WELDING SCHOOL
16 FT 11 1/2 FT. DESIRED



SCHOOL FLOOR PLAN LAYOUT



A-DURHAM T-100 ENTRANCE PANEL (400A-125/250V)
B,C ED - SQUARE D TYPE 90 LOAD CENTER
(100 A - 120/240V) WITH 2-50 AMP CIRCUIT
BREAKERS
WIRE SIZE:
ENTRANCE PANEL TO LOAD CENTER SINGLE
CONDUCTOR, NO. 1
LOAD CENTER TO OUTLETS 3-WIRE CABLE,
NO. 6



ELECTRICAL LAYOUT

WELDING SCHOOL MOBIL UNIT			
PREPARED FOR:	SCALE:	DRAWN BY P.S. HORNBY	
		REVISED	
PREPARED BY: NDSU EXTENSION AGR. ENG. DEPT.			
DATE Oct. 15, 60	APPROVED BY M.D. 331-1-1	DRAWING NUMBER SHEET 1 of 1	