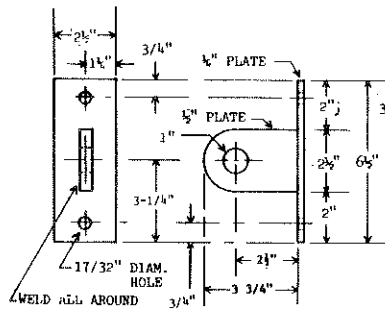
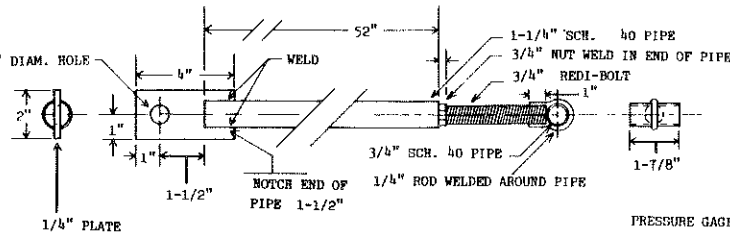


4 FT SOIL PROBE	
DRAWBAR MOUNTED	
ND PLAN # 3161-3	FEB '88
PREPARED BY	
NDSU EXTENSION AG. ENGINEERING	
DESIGNED BY	
VERNON HOPMAN	
EXT. AG. ENGINEER	
DRAWN BY R.H.	SHEET 1 of 2

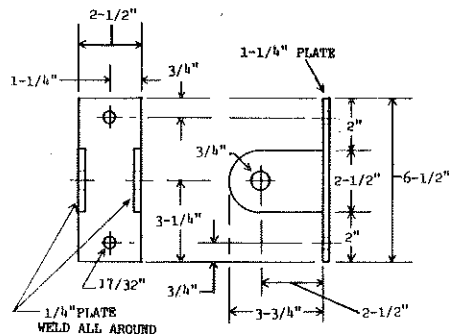
Rev 89 to ND3166-2



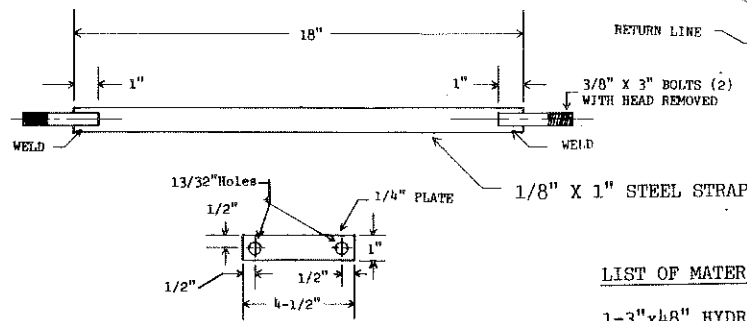
DETAIL A



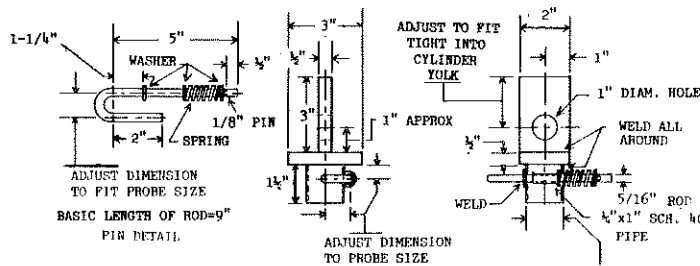
DETAIL C



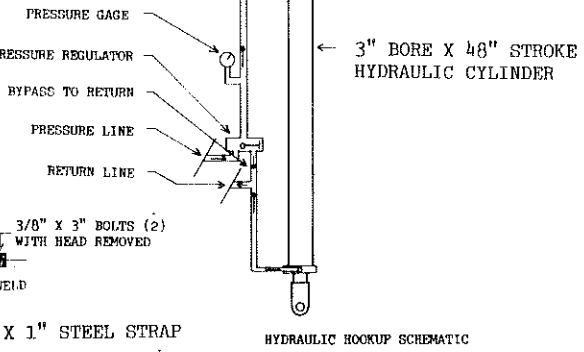
DETAIL B



DETAIL D



DETAIL E



HYDRAULIC HOORUP SCHEMATIC

LIST OF MATERIALS:

- 1-3"x48" HYDRAULIC CYLINDER
- 1-1"x48" SOIL PROBE
- 1-CAT. I. 3 PT. UPPER HITCH LINK
- 10'-3"x3"x3/16" SQUARE TUBING
- 1-ADJUSTABLE PRESSURE REGULATOR
- 1-HYDRAULIC PRESSURE GAGE
- 2-4' HYDRAULIC HOSE
- 4 1/2'-1 1/2" SCHEDULE 40 PIPE
- 1'-3/4" RED-I-BOLT
- 2'-1/4"x2 1/2" FLAT STEEL
- 1 1/2'x1/8"x1" FLAT STEEL STRAP
- 1'x5/16" DIAMETER ROD
- 1'x1/4" SCHEDULE 40 PIPE
- 1'x1/4"x4 1/2" FLAT STEEL
- 2-1/4"x8' CHAIN
- 2-5/16" TURNBUCKLE
- 1-3/8" EYEBOLT

4 FT SOIL PROBE	
DRAWBAR MOUNTED	
ND PLAN # 3161-3	FEB '88
PREPARED BY	
NDSU EXTENSION AG. ENGINEERING	
DESIGNED BY	
VERNON HOFMAN	
EXT. AG. ENGINEER	
DRAWN BY R.H.	SHEET 2 of 2

Rev 29 to ND 3166-2