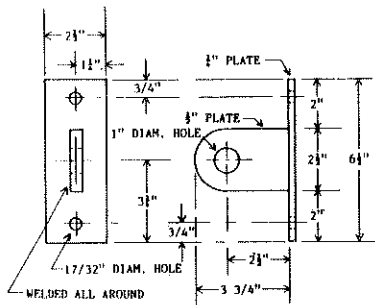
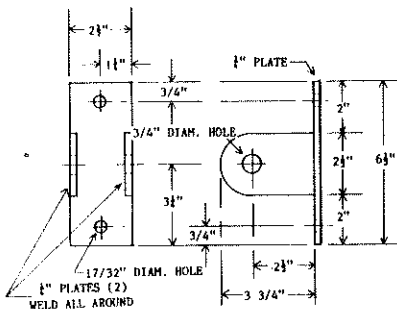


2 FT SOIL PROBE-DRAWBAR MOUNTED	
ND PLAN # 3161-2	FEB'88
PREPARED BY NDSU EXTENSION AG. ENG'	
DESIGNED BY VERNON HOFMAN	
EX. AG. ENGINEER	
DRAWN BY R.H.	SHEET 1 of 2

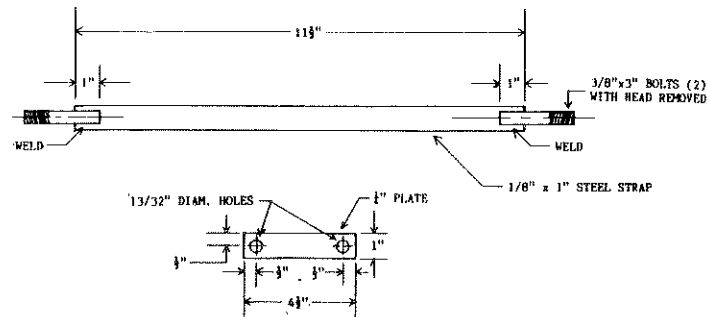
Rev '89 to ND 3166-1



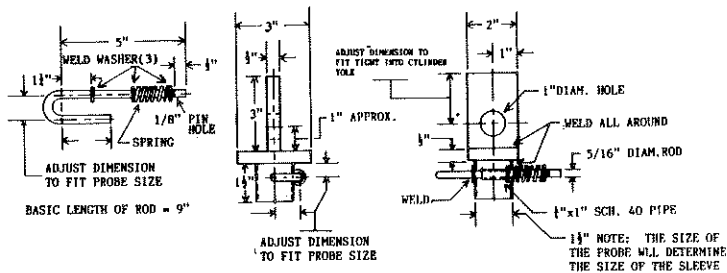
DETAIL A



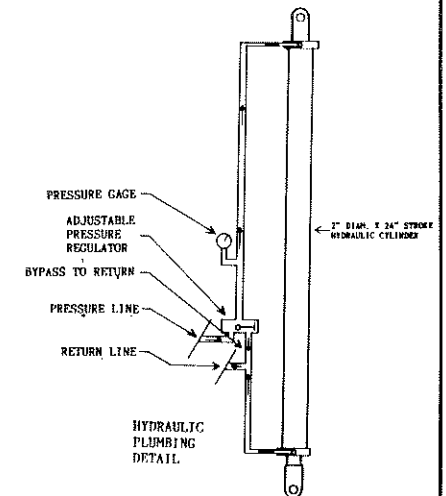
DETAIL B



DETAIL C



DETAIL D



- LIST OF MATERIALS**
- 1 - 2" x 24" HYDRAULIC CYLINDER
 - 1 - 1" x 24" SOIL PROBE
 - 1 - CAT. I 3PT. UPPER HITCH LINE
 - 6FT. - 3" x 3/16" SQUARE TUBING
 - 1 - ADJUSTABLE PRESSURE REGULATOR
 - 1 - HYDRAULIC PRESSURE GAGE
 - 2 - HYDRAULIC HOSE (5FT.)
 - 1 - 3/4" x 1/2" TURN BUCKLE
 - 1/2" x 2 1/2" x 2" FLAT STEEL
 - 1/8" x 1" FLAT STEEL
 - 1" x 5/16" DIAMETER STEEL ROD
 - 1" x 1" SCHEDULE 40 PIPE
 - 1" x 1" x 4" FLAT STEEL
 - 1 - COMPRESSION SPRING
 - MISC. PARTS
 - HYDRAULIC HOSE
 - BOLTS & NUTS
 - PIPE FOR PROBE
 - HOLDER
 - PLUMBING CONNECTORS

2 FT SOIL PROBE-DRAWBAR MOUNTED	
ND PLAN # 3161-2	FEB '88
PREPARED BY NDSU EXTENSION AG. ENG.	
DESIGNED BY VERNON HOFMAN	
EXT. AG. ENGINEER	
DRAWN BY R.H.	SHEET 2 OF 2

Rev 89 to ND 3166-1