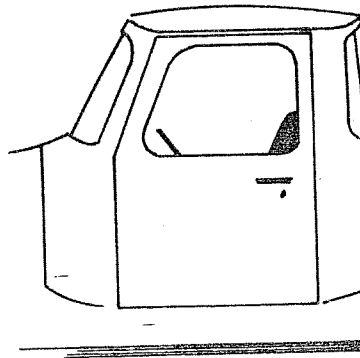
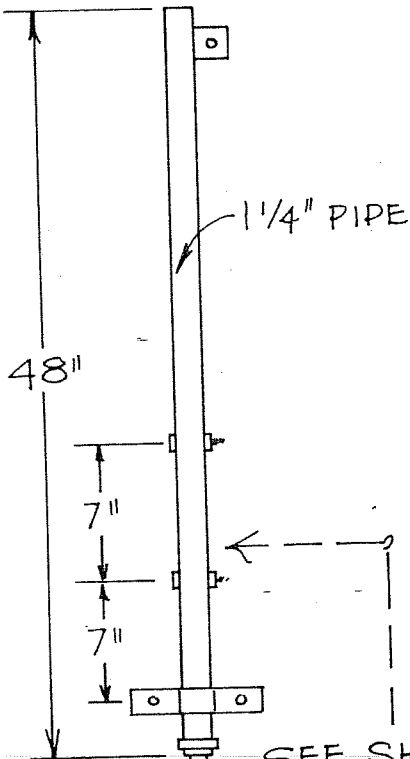
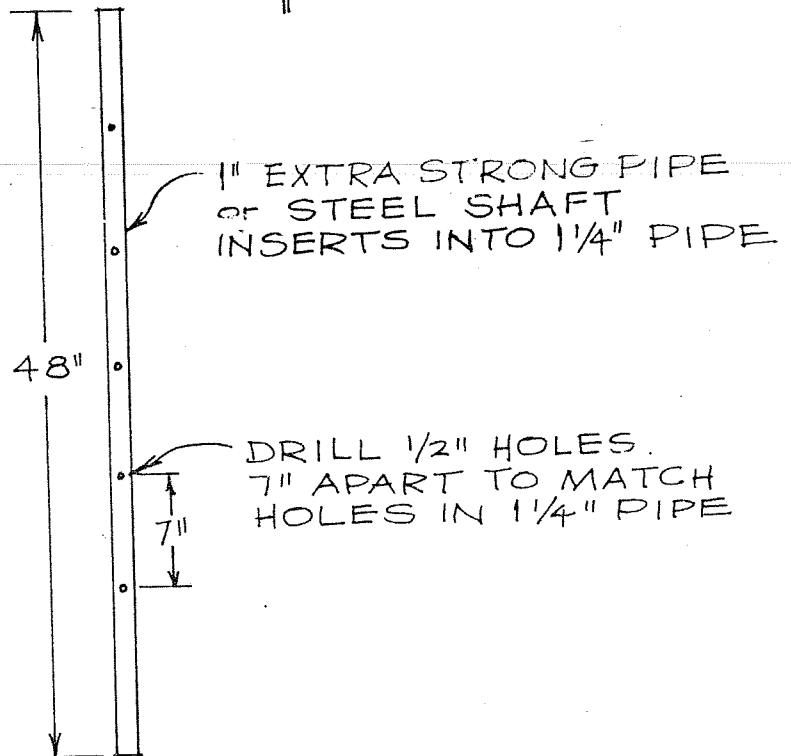


TRUCK BOX IN UP-POSITION



POSITION OF BOX WHEN PROBE IS LOWERED INTO SOIL

ADJUST LENGTH OF 1" PIPE TO FIT THIS HEIGHT



ND PLAN 3161-0

TRUCK-BOX SOIL PROBE

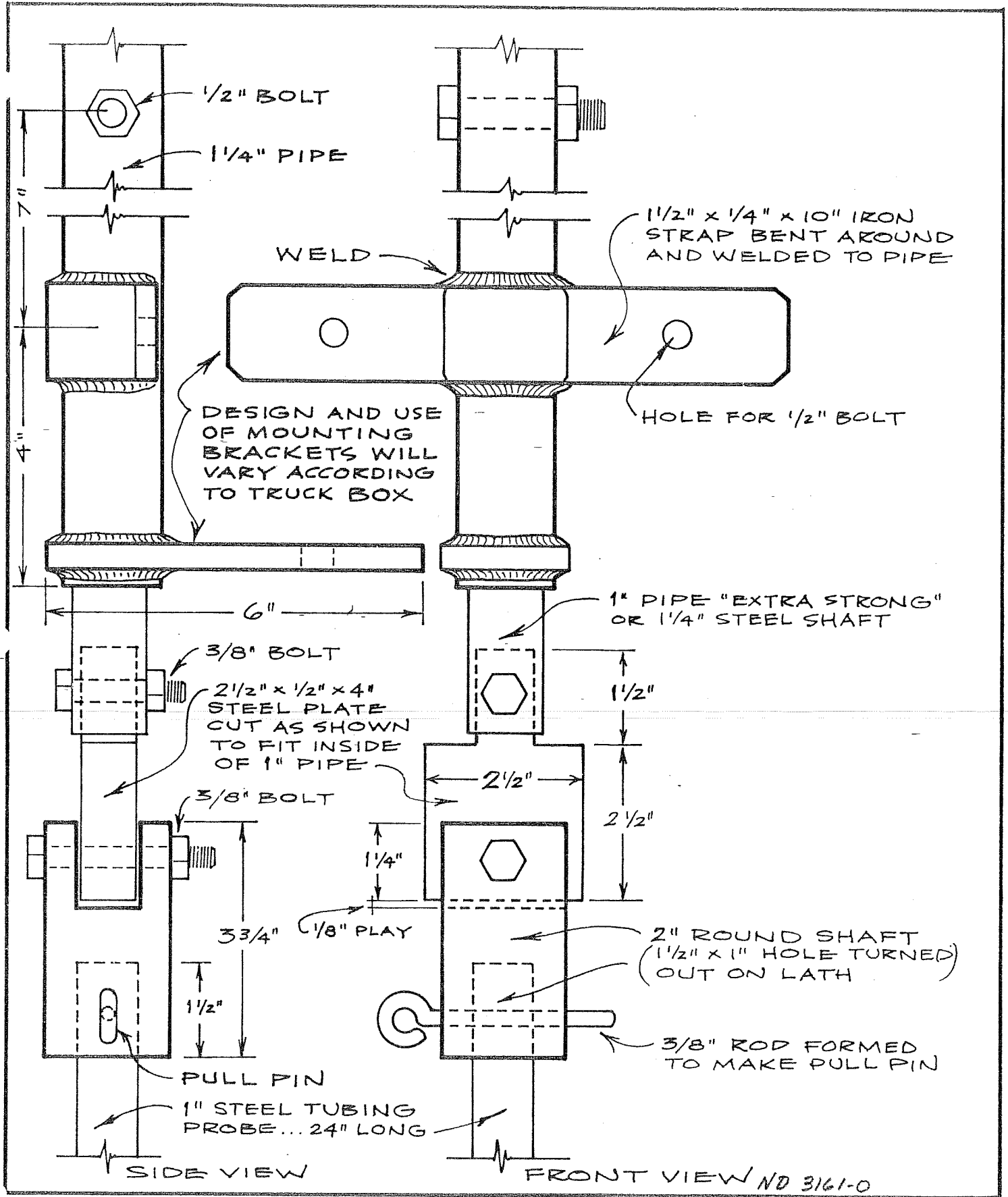
sheet 1 of 3

COOPERATIVE EXTENSION SERVICE
NORTH DAKOTA STATE UNIVERSITY
FARGO, NORTH DAKOTA 58102

DESIGNED BY
S. L. VOGEL, ASSOC. PROF. OF AGR. ENGR.
H. L. KUCERA, ASSOC. PROF. OF AGR. ENGR.

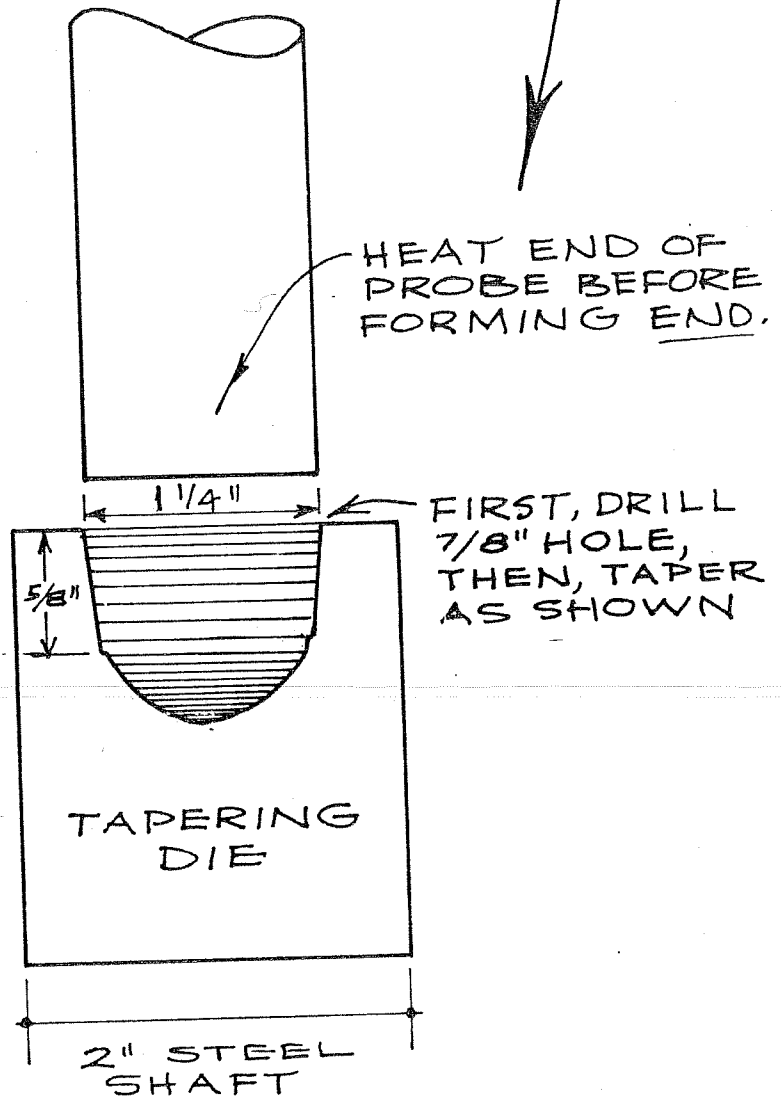
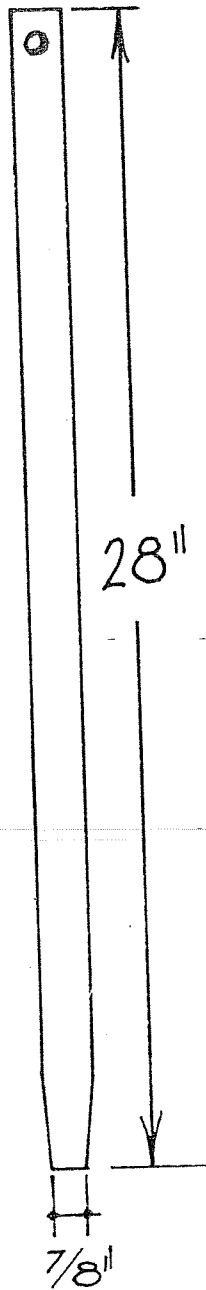
DRAWN BY R. CASSETTE

ND 3166-1



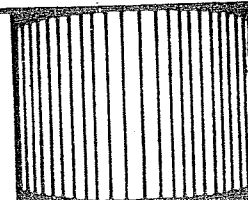
SOIL PROBE

PROBE IS MADE OF 1" STEEL TUBING, 28" LONG, TAPER END AS SHOWN HERE



ND 3161-0

SOIL PROBE



sheet 3 of 3

DATE: Nov. 4, 1962

ND 3166-0