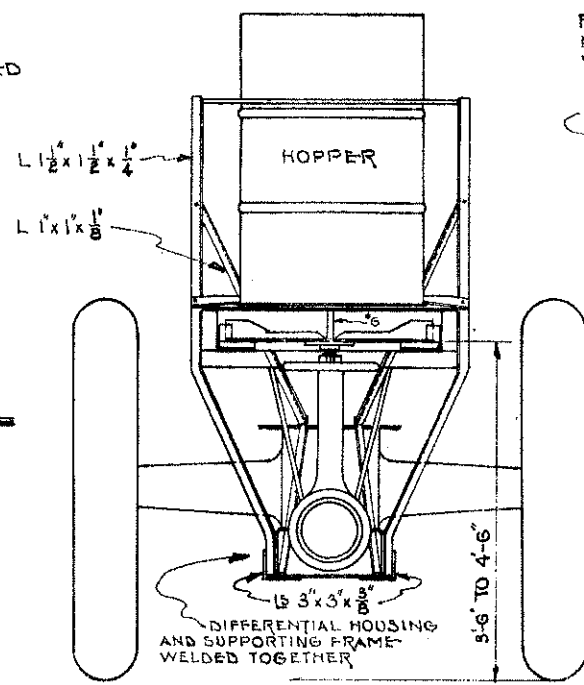
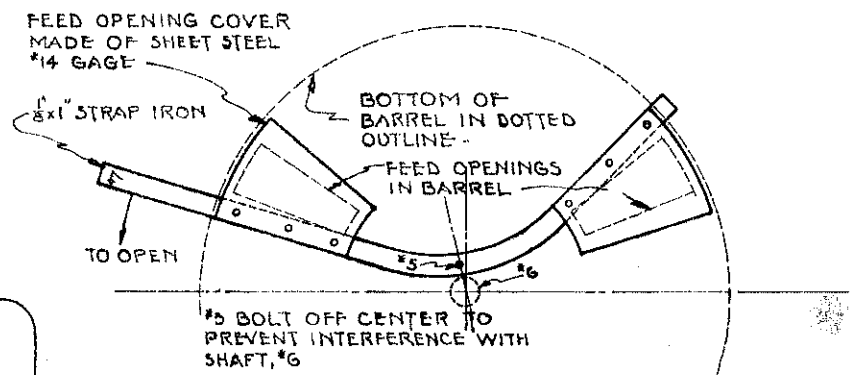


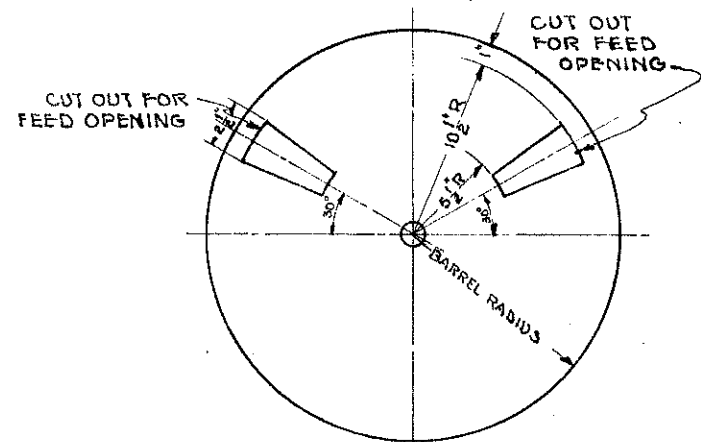
SIDE VIEW



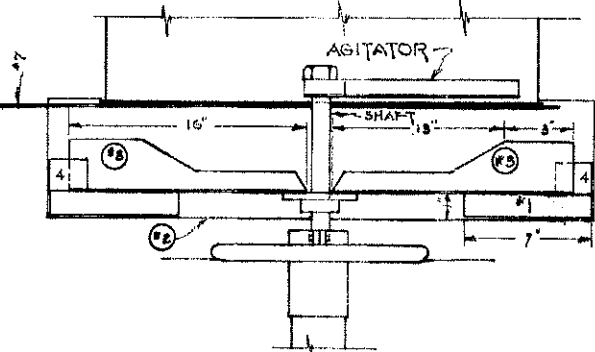
REAR VIEW



FEED CONTROL

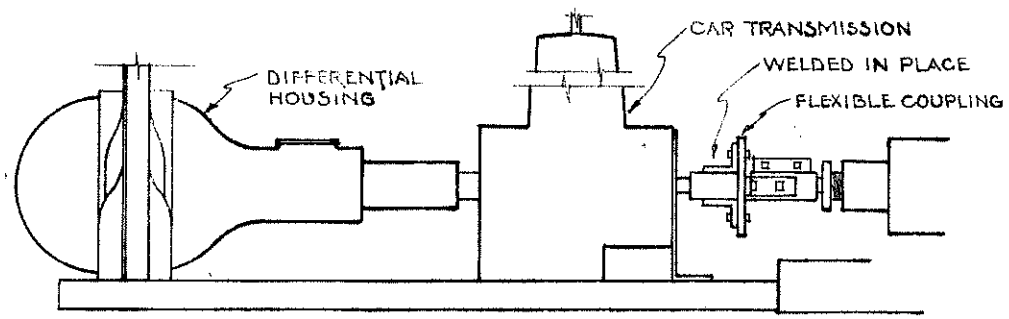


BOTTOM OF BARREL

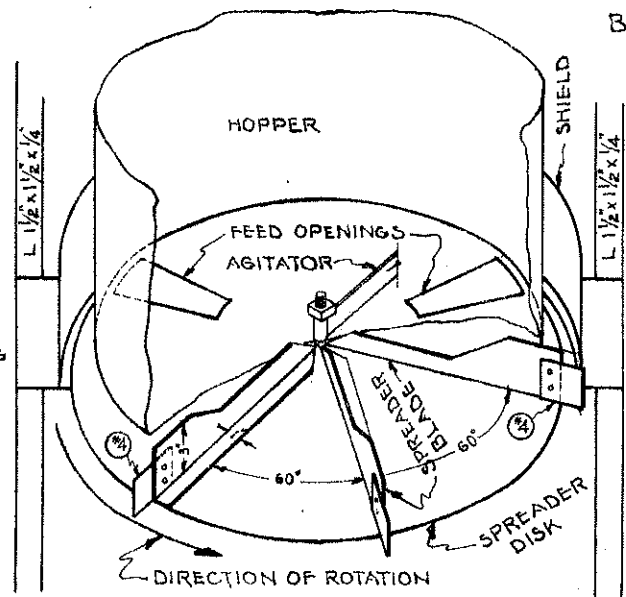


- SHIELD
- *1=CLEANING BLADE AND
- *3=SPREADER BLADE MADE OF #14 GAUGE SHEET STEEL
- *2=SHIELD MADE OF SHEET STEEL, GAUGE 16 TO 11, (1/16 TO 1/8).
- *4=BELTING RIVETED TO SPREADER BLADE.

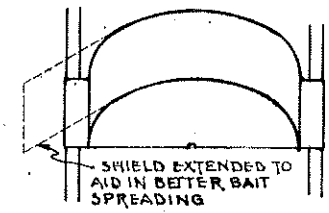
DETAIL OF SPREADER ASSEMBLY



DETAIL OF TRANSMISSION AND FLEXIBLE COUPLING



DETAIL OF SPREADER BLADES AND FEED OPENINGS



SHIELD

COOPERATIVE EXTENSION WORK IN
 AGRICULTURE AND HOME ECONOMICS
 STATE OF NORTH DAKOTA
 NORTH DAKOTA AGRICULTURAL COLLEGE
 AND
 U. S. DEPT. OF AGRICULTURE COOPERATING
 EXT. AGR'L ENGINEER FARGO, N. DAK.
 BAIT SPREADER-TRACTOR DRIVE-
 PLAN NO. N.D. 315-2 DRAWN BY 1/26 APRIL 5 1917