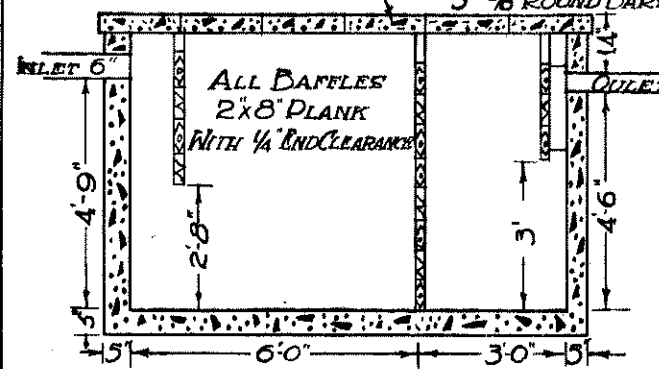
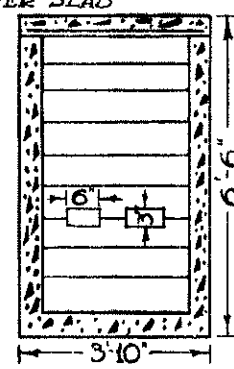


PLAN



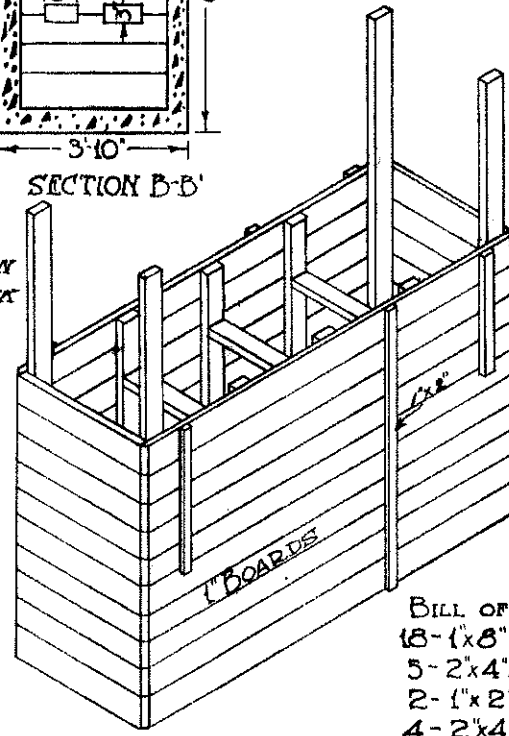
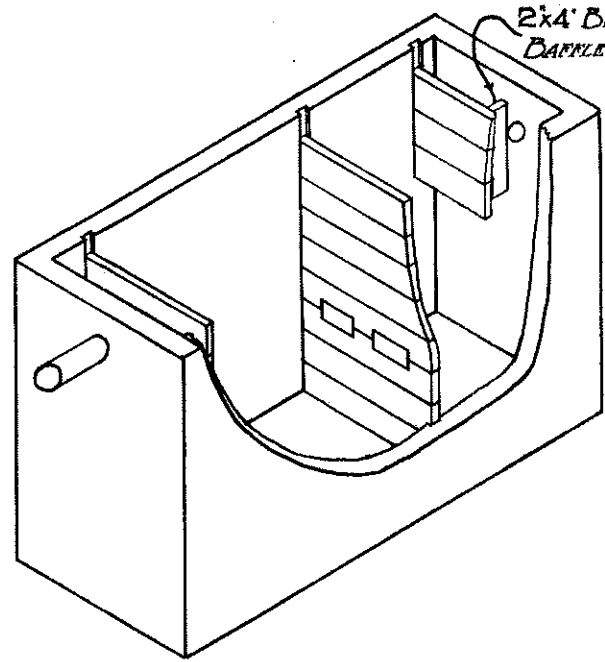
SECTION A-A'



SECTION B-B'

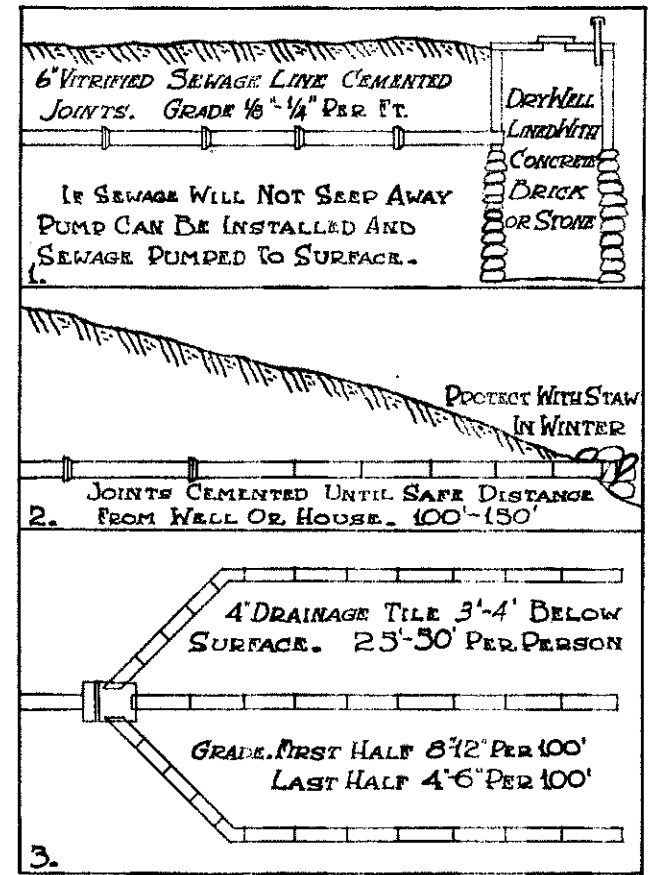
BILL OF MATERIAL FOR SEPTIC TANK
 22 BAGS OF CEMENT
 1 1/2 CU. YDS. SAND
 3 1/4 CU. YDS. GRAVEL
 18 ROUND RODS 3/8" x 5'-6"
 5 PLANK 2"x8"x10'-0"
 1-2-4 MIXTURE

REINFORCED CONCRETE SLABS 20' WIDE
 3-3/8" ROUND BARS PER SLAB



BILL OF MATERIALS FOR FORMS
 18-1"x8"x12'-0"
 5-2"x4"x12'-0"
 2-1"x2"x12'-0"
 4-2"x4"x(DETERMINED BY HOLE DEPTH)

FINAL DISPOSAL



6" VITRIFIED SEWAGE LINE CEMENTED JOINTS. GRADE 1/8" - 1/4" PER FT.

IF SEWAGE WILL NOT SEEP AWAY PUMP CAN BE INSTALLED AND SEWAGE PUMPED TO SURFACE.

DRY WELL LINED WITH CONCRETE BRICK OR STONE

PROTECT WITH STAW IN WINTER

JOINTS CEMENTED UNTIL SAFE DISTANCE FROM WELL OR HOUSE. 100'-150'

4" DRAINAGE TILE 3'-4" BELOW SURFACE. 25'-30' PER PERSON

GRADE FIRST HALF 8 1/2" PER 100' LAST HALF 4'-6" PER 100'

1. DRY WELL METHOD
2. OPEN OUTLET METHOD
3. ABSORPTION BED METHOD

FARM SEPTIC TANK INSTALLATION

NORTH DAKOTA AGRICULTURAL COLLEGE U.S. DEPARTMENT OF AGRICULTURAL COOPERATING EXTENSION DIVISION H.L. WALSTER-DIRECTOR ACTS OF CONGRESS MAY 8 - JUNE 30, 1914	PLAN NUMBER 0-75-11	NORTH DAKOTA AGRICULTURAL COLLEGE DEPARTMENT OF AGRICULTURAL ENGINEERING DRAWN BY C.L.H. TRACED BY C.L.H. SCALE 1/2" = 1'-0" DATE - MAY, 1930
---	---------------------------	--