

1. ELEVATION OF TRUSS
2. GUSSET CUTTING DETAIL
3. JOINT "B" NAILING DETAIL
4. JOINT "C" NAILING DETAIL
5. JOINT "Y" NAILING DETAIL
6. JOINT "A" NAILING DETAIL
7. NOTATION ON LOADING OF DIAGRAM
8. 1/2" PLYWOOD GUSSETS (BOTH SIDES) AT ALL JOINTS
9. 2" x 10" TOP CHORD
- 10.
11. 2" x 4" WEB MEMBER 3'-0" LONG
12. 2" x 4" WEB MEMBER 10'-4" LONG
13. 2" x 8" BOTTOM CHORD
14. 2" x 4" WOOD BLOCKING - GRAIN TO BE VERTICAL
15. ALL JOINTS MUST BUTT TIGHT. FIT MEMBERS FULL SCALE BEFORE CUTTING
16. (5) DENOTES NUMBER OF NAILS FROM EACH SIDE
17. 2" x 4" STIFFENERS
18. JOINT "X" NAILING DETAIL
19. 2" x 4" WEB MEMBER 12'-0" LONG

NOTES:

FOR 2" x 4" MEMBERS USE CONSTRUCTION GRADE DOUGLAS FIR IN THE "LIGHT FRAMING" CATEGORY OR NO. 2 OR BETTER DOUGLAS FIR IN THE "STRUCTURAL LIGHT FRAMING" CATEGORY.

FOR 2" x 6" OR WIDER MEMBERS USE NO. 2 OR BETTER DOUGLAS FIR.

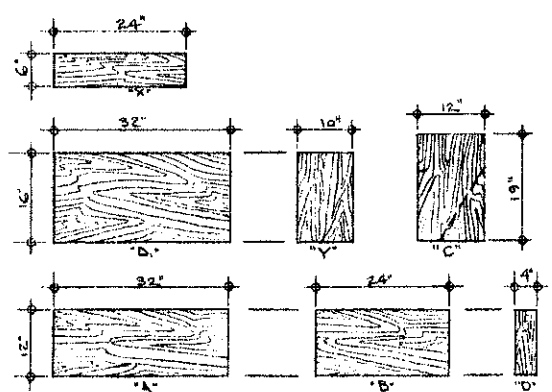
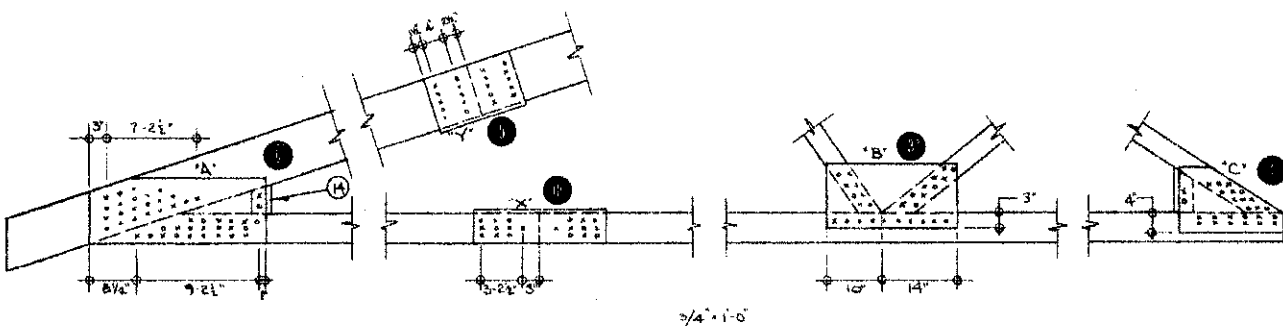
PLYWOOD TO BE 1/2" SHEATHING GRADE DOUGLAS FIR.

NAILS TO BE 2 1/2" NO. 6 GAUGE TRUSS GUSSET TYPE (BY THE STEEL COMPANY OF CANADA OR EQUIVALENT)

TOTAL ROOF LOAD IS LIVE LOAD PLUS DEAD LOAD. SEE TABLE F-1, CANADIAN CODE FOR FARM BUILDINGS 1970, FOR FARM TRUSS ROOF CONSTRUCTION DEAD LOADS.

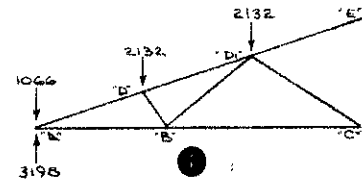
THE ALLOWABLE UNIT STRESSES FOR SAWN LUMBER AND PLYWOOD USED IN THIS TRUSS DESIGN ARE THOSE LISTED IN THE "CANADIAN STRUCTURAL DESIGN MANUAL 1970" WITH THE FOLLOWING MODIFICATION FACTORS APPLIED:

LOW HUMAN OCCUPANCY FARM BUILDINGS (1.25),
 SNOW LOAD DURATION (1.15), LOAD-SHARING SYSTEMS (1.10). FOR TRUSSES GREATER THAN 76' O.C. THE LOAD-SHARING FACTOR IS NOT APPLIED.



TOTAL ALLOWABLE ROOF LOADS FOR DIFFERENT TRUSS SPACINGS

TRUSS SPACING	24"	32"	48"	96"
TOTAL ROOF LOAD (PSF)	104	76	52	25



TRUSS MEMBER FORCES AND MOMENTS

MEMBER	FORCE (LB)	MOMENT (LB-IN)	M/SF 1P/AC
AD	-6742	30603	.99
DD ₁	-5654	30603	.94
D ₁ E		30603	.70
AB	6396		.55
DB	-2066		.25
D ₁ B	2808		.52
D ₁ C	-3546		.46
BC	3195		.29

DESIGNED BY JACKSON DATE JUNE 9/72 PLAN

DRAWN BY [REDACTED] REVISED

TRACED SCALE AS SHOWN

CHECKED H.R.T. SHEET 1 OF 1

CANADA FARM BUILDING PLAN SERVICE

30'-9" SINGLE SLOPE TRUSS - 10% TOTAL ROOF LOAD 52 PSF

C-138