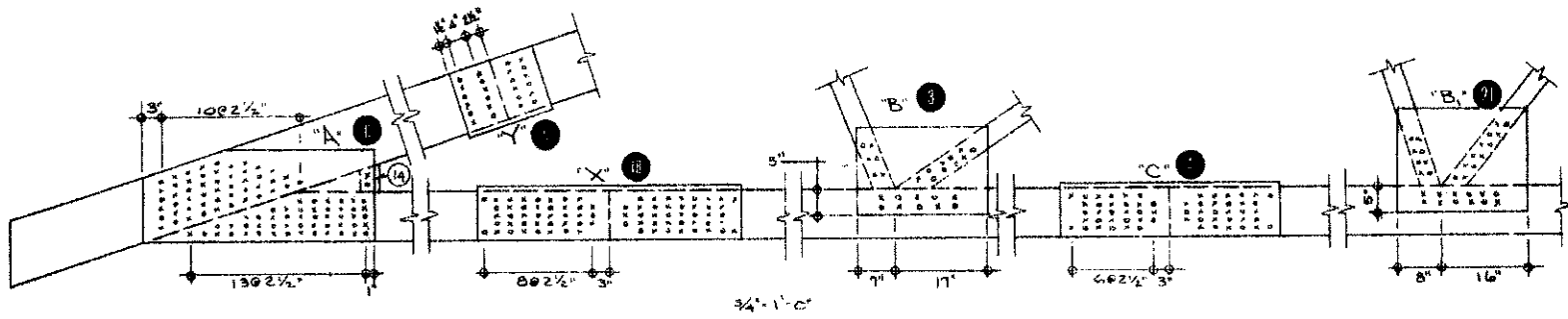


1. ELEVATION OF TRUSS
2. GUSSET CUTTING DETAIL
3. JOINT 'B' NAILING DETAIL (LEFT)
4. JOINT 'C' NAILING DETAIL
5. JOINT 'I' NAILING DETAIL
6. JOINT 'A' NAILING DETAIL
7. NOTATION AND LOADING DIAGRAM
8. 1/2" PLYWOOD GUSSETS (BOTH SIDES) AT ALL JOINTS
9. 2" X 12" TOP CHORD
10. BOTTOM CHORD SHOULD BE GAMBERED 1 3/4" AT CENTER
11. 2" X 4" WEB MEMBER 2' - 10" LENGTH
12. 2" X 4" WEB MEMBER 10' - 8" LENGTH
13. 2" X 10" BOTTOM CHORD
14. 2" X 4" WOOD BLOCKING - GRAIN TO BE VERTICAL
15. ALL JOINTS MUST BUTT TIGHT. FIT MEMBERS FULL SCALE BEFORE CUTTING
16. [6] DEMOTES NUMBER OF NAILS FROM EACH SIDE
17. 2" X 4" STIFFENER CONTINUOUS
18. JOINT 'I' NAILING DETAIL
19. 2" X 4" WEB MEMBER 6' - 4" LENGTH
20. 2" X 4" WEB MEMBER 11' - 10" LENGTH
21. JOINT 'B' NAILING DETAIL (LEFT)
22. 2" X 4" LATERAL BRACES AT 8' - 0" O.C. AS SHOWN

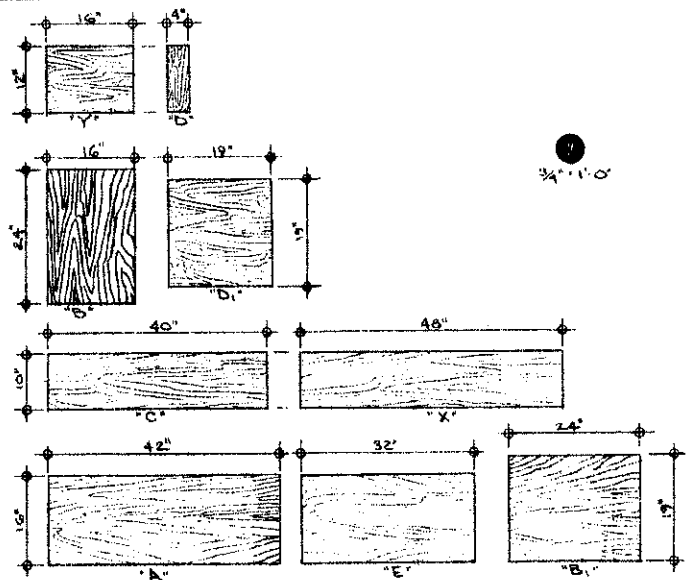


NOTES:

FOR 2" X 4" MEMBERS USE CONSTRUCTION GRADE DOUGLAS FIR IN THE "LIGHT FRAMING" CATEGORY OR NO. 2 OR BETTER DOUGLAS FIR IN THE "STRUCTURAL LIGHT FRAMING" CATEGORY.

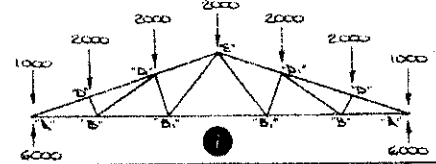
FOR 2" X 6" OR WIDER MEMBERS USE NO. 2 OR BETTER DOUGLAS FIR.

PLYWOOD TO BE 1/2" SHEATHING GRADE DOUGLAS FIR.



TOTAL ALLOWABLE ROOF LOADS FOR DIFFERENT TRUSS SPACINGS

TRUSS SPACING	24'	32'	48'	96'
TOTAL ROOF LOAD (PSF)	100	75	50	22



TRUSS MEMBER FORCES AND MOMENTS			
MEMBER	FORCE (LB)	MOMENT (LB-FT)	M/SF + P/C
A-D	-15811	2800B	.99
D-D ₁	-15179	2800B	.97
D-E	-11699	2800B	.85
A-B	15000		.80
B-B ₁	12001		.64
B ₁ -B ₂	9006		.48
D-B	-1897		.30
D ₁ -B	3051		.56
D ₁ -B ₁	-2844		.45
B ₁ -E	3418		.63

NAILS TO BE 2 1/2" NO. 6 GAUGE TRUSS GUSSET TYPE (BY THE STEEL COMPANY OF CANADA OR EQUIVALENT).

TOTAL ROOF LOAD IS LIVE LOAD PLUS DEAD LOAD. SEE TABLE F-1, CANADIAN CODE FOR FARM BUILDINGS 1970, FOR FARM TRUSS ROOF CONSTRUCTION DEAD LOADS.

THE ALLOWABLE UNIT STRESSES FOR SAWN LUMBER AND PLYWOOD USED IN THIS TRUSS DESIGN ARE THOSE LISTED IN "THE CANADIAN STRUCTURAL DESIGN HANDBOOK 1970" WITH THE FOLLOWING MODIFICATION FACTORS APPLIED:

LOW HUMAN OCCUPANCY FARM BUILDINGS (1.25),
 SNOW LOAD DURATION (1.15), LOAD-SHARING SYSTEMS (1.10). FOR TRUSSES GREATER THAN 48' O.C. THE LOAD-SHARING FACTOR IS NOT APPLIED.

REV. REVISIONS CHECKED DATE APPROVED

CANADA FARM BUILDING PLAN SERVICE

60'-0" TRUSS - 1'-0" 1/2"
 TOTAL ROOF LOAD 50 PSF

DESIGNED BY: [Signature] DATE: []
 DRAWN BY: [Signature] REVISED: []
 TRACED: [] SCALE: AS SHOWN
 CHECKED: H.A.T.

PLAN C-136

SHEET 1 OF 1