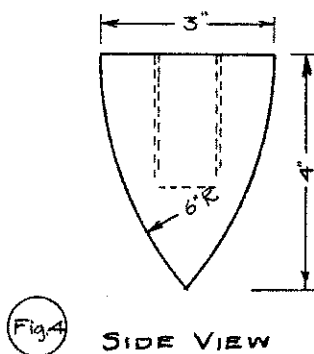
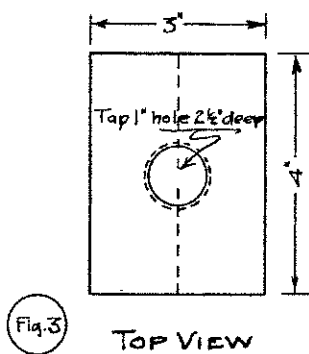
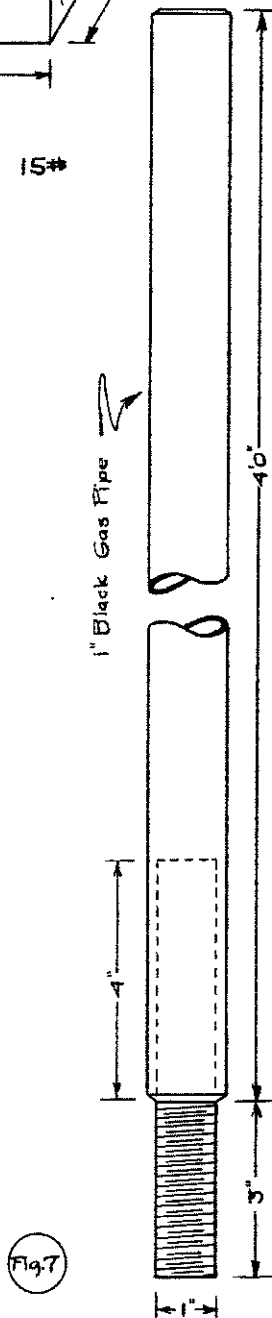
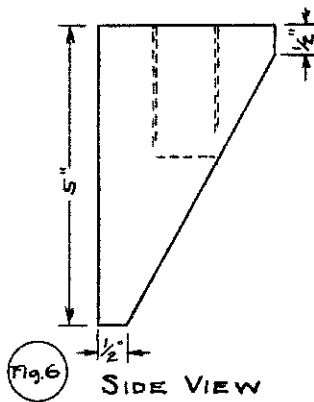
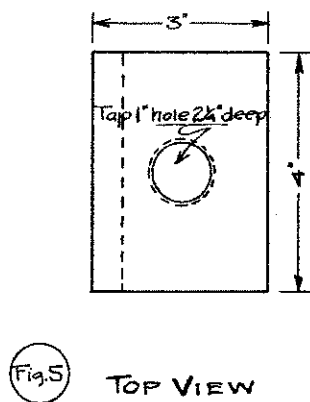


Figures 1 & 2 Finishing Rammer - Weight about 15#



Figs. 3 & 4 Subsurface Packing Rammer - Wt about 12#



Figs. 5 & 6 Subsurface & Side Packing Rammer
Weight about 12#

Fig. 7 Handle for Rammers
Wrought iron pipe with iron rod
welded in end & threaded with die.

NORTH DAKOTA AGRICULTURAL COLLEGE
Division of Agricultural Extension
GORDON W. RANDLETT - Director
Cooperative Agricultural Extension Work
Acts of Congress - May 8 & June 30, 1914

IN WRITING
GIVE THIS
NUMBER
B53-1-1

RAMMED EARTH TAMPERS

NDAC. Exp. Sta. - P.F. Trowbridge - Director
Designed by Dept of Agr Engr. - R.C. Miller
Traced by G. Reed Checked by
SCALE: 1/2" = 1" DATE: DEC. 23, 1925