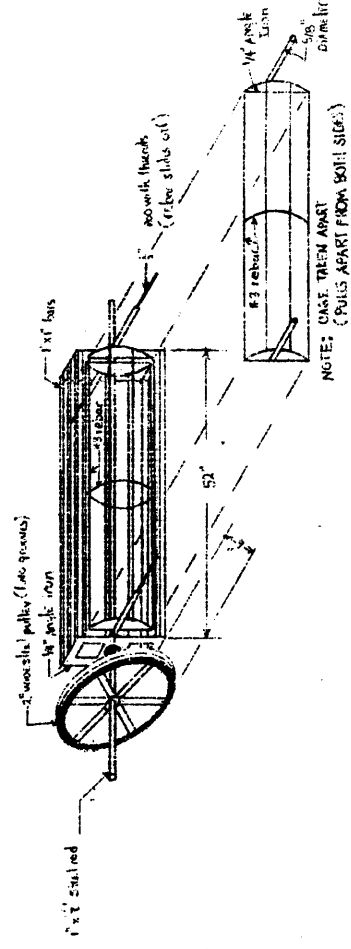
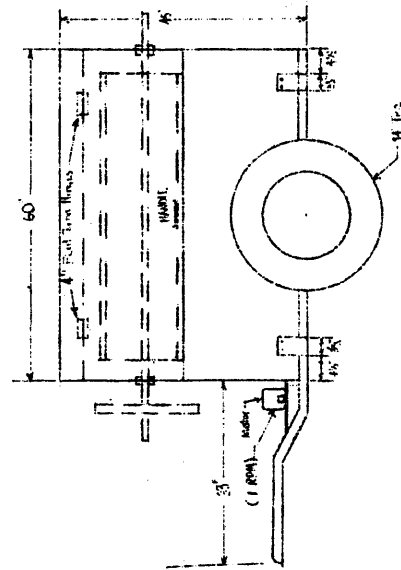
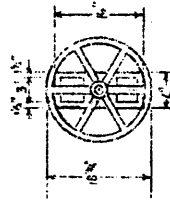
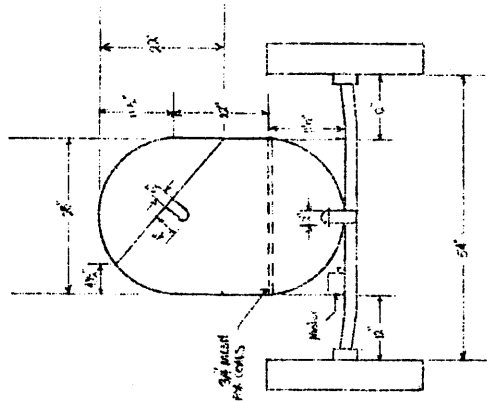
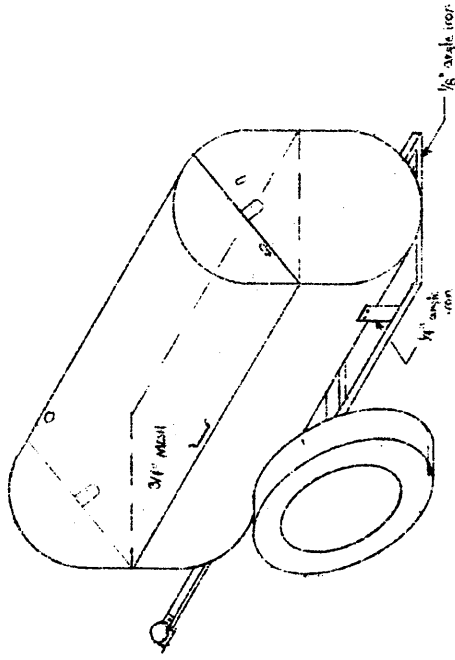


- Approximate Materials List:
- 6 - 1" x 1" CAST IRON BARS
 - 2 - 1/4" x 6" x 1/2" ANGLE IRONS
 - 3 - 3/4" I.R.M. 3/8 REBAR
 - 2 - 1/2" x 3 1/2" ANGLE IRON
 - 1 - 1/2" x 6" x 1/2" ANGLE IRON
 - 1 - 1 1/2" Diameter x 3/4" Solid STEEL BOLT
 - 4 - 3/4" x 3/2" ANGLE IRON



NOTE: CASE TAKEN APART
POLES APART FROM BOTH SIDES

PORTABLE HOG BARBICUE	
DESIGNED BY Extension Dr. Engineering	DATE 4/85
APPROVED BY L. S. ...	DRAWING NUMBER NO. 874-0-1
DRAWN BY SM. I	
MADE IN U.S.A.	