

TYPICAL CROSS SECTION
 ALL PLYWOOD IS EXTERIOR-TYPE (EXT-DFPA)
 ROOF AND ROOF DOOR PLYWOOD IS 1/2" THICK
 ALL OTHER PLYWOOD IS 3/4" THICK.

MATERIAL LIST: TRANSPORTABLE BULK FERTILIZER STORAGE BIN
 (15 Ton Capacity)

Item and Use	Pieces	Size	Length	FBM
Skids - Preservative treated 8 PCF retention, perna or crossoie	2	4 x 6	14'	56
Bulkhead Framing -				
Cross Framing	24	2 x 6	8'	192
Rafters	8	2 x 4	8'	43
Floor Supports	8	2 x 6	12'	96
Studs	8	2 x 6	8'	64
Upper Studs	16	2 x 4	8'	86
Lower Studs	8	2 x 4	10'	54
Lower Studs	8	2 x 4	12'	64
Sidewall Framing				
Sidewall Supports	4	2 x 6	14'	56
Floor Supports	6	2 x 6	8'	48
Upper Studs	3	2 x 6	8'	24
Lower Studs	3	2 x 6	12'	36
Roof Framing				
2 x 4	4	2 x 4	12'	32
2 x 2	3	2 x 2	10'	10
1 x 4	1	1 x 4	10'	4
Draw Off Door -				
Framing	6	2 x 4	8'	32
Door and Slides	3	2 x 4	14'	28
Handles (2 required)	2	2 x 6	4'	4
Handles (2 required)	2	2 x 2	7'	5

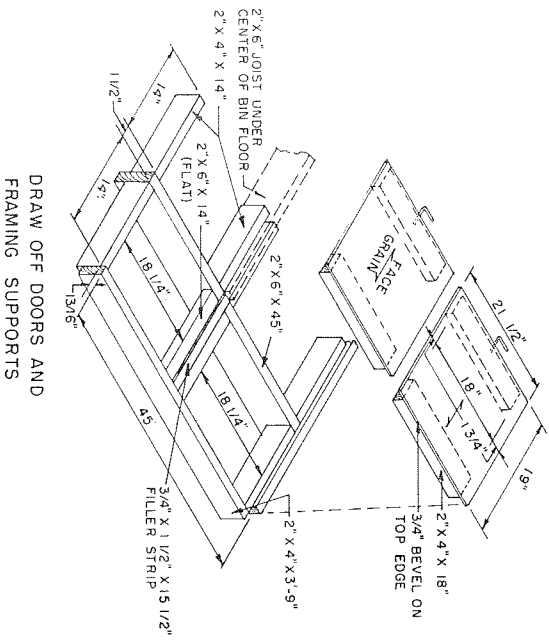
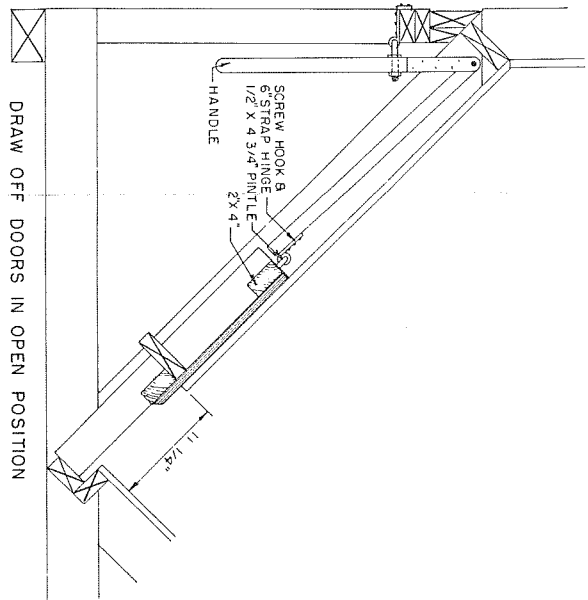
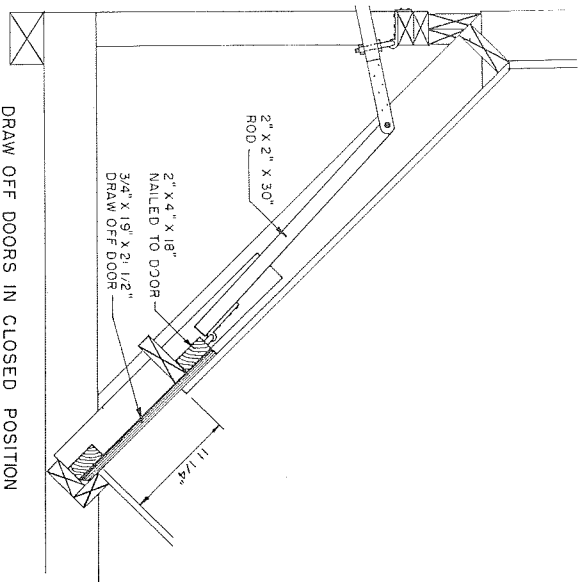
PLYWOOD: All Exterior-Type (EXT-DFPA) C-C, B-C or A-C Grade

Item and Use	Pieces	Thickness	Panel Size	Sq. Ft.
Bulkheads	9	3/4"	4 x 8'	288
Sides	3	3/4"	4 x 8'	96
Floor and Draw Off	4	3/4"	4 x 8'	128
Roof and Hatch Cover	4	1/2"	4 x 8'	128
Filler Strips	1	3/4"	2 x 4'	8

HARDWARE: Corrosion Resistant

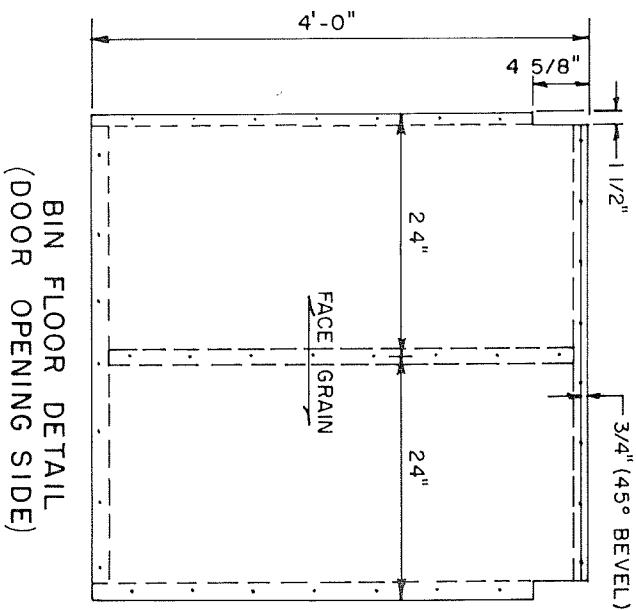
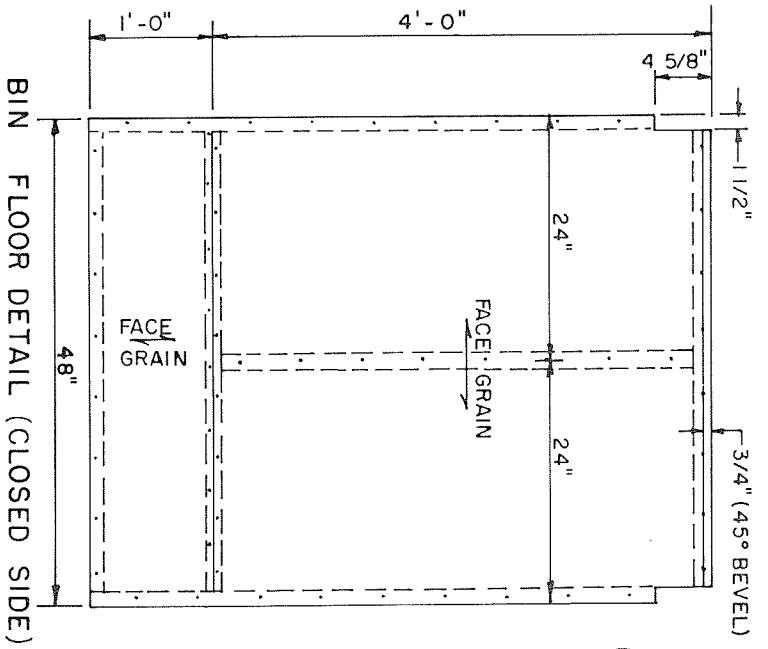
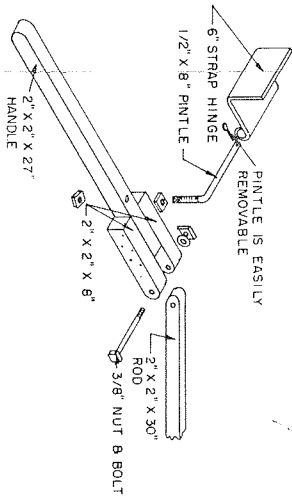
Item and Use	Pieces	Size
Nails - Bulkhead	16 lbs.	16d
Roof, Sides and Floor	14 lbs.	8d
Hinges - Roof	1 lb.	10d
Leg Bolts	48	3/8" x 2"
Angle Brackets - to attach legs to skids	12	2" x 2"
Draw Off Doors -		
Hinges	6 pr.	6" Strap
Pintles with 2 nuts each	6	1/2" x 4 3/4"
Interchangeable handles, minimum - 2 required	2	1/2" x 8"
Bolts with nut and washer	2	3/8" x 6"

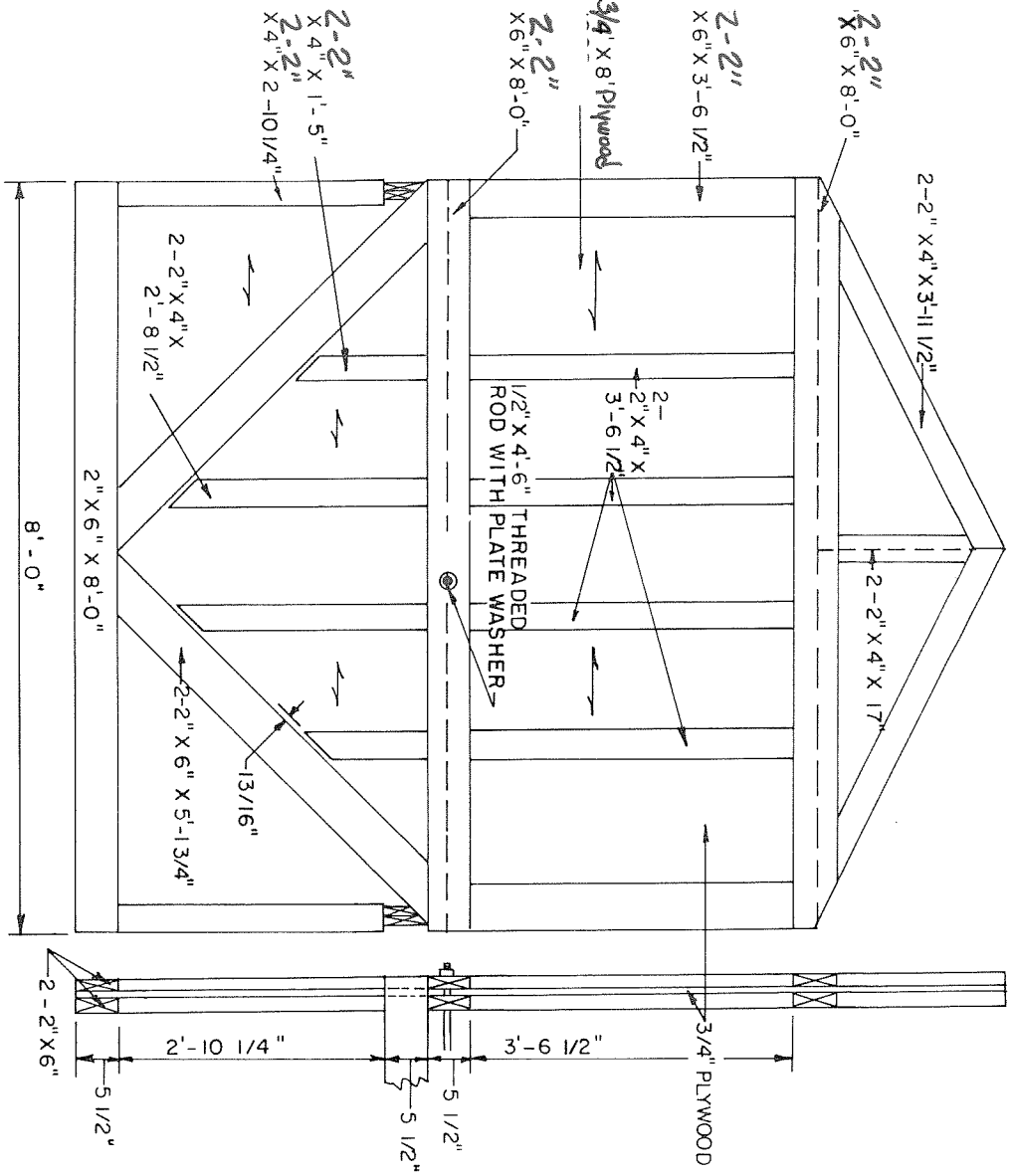
This design is based on the use of Exterior-type plywood as specified, bearing the EXT-DFPA grade-trademark of the American Plywood Association on each panel. Grade C-C is generally recommended for service and economy, but B-C or A-C are alternates, except as noted. Structural deficiencies may result with substitution of materials. Because erection of the structure cannot be supervised by the designers, no liability can be assumed by either the designers or the American Plywood Association.



NOTES:
HANDLE AND ROD ASSEMBLY IS
INTENDED FOR EASY REMOVAL AND
ONE OR TWO MAY BE ALL THAT
IS REQUIRED FOR MULTIPLE UNITS.

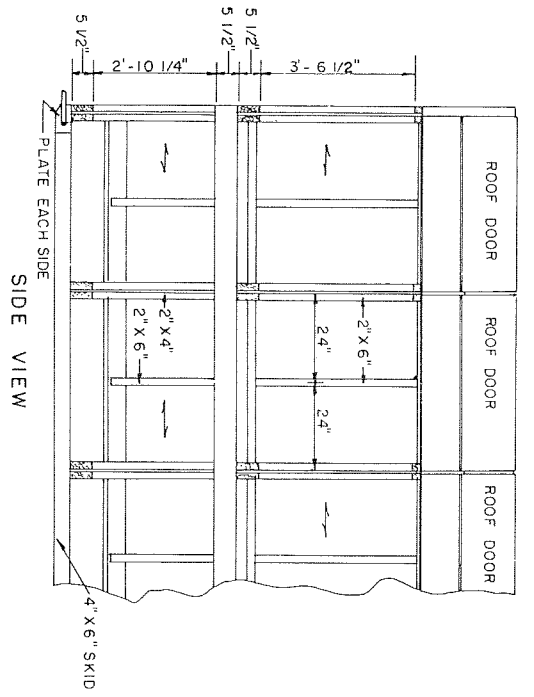
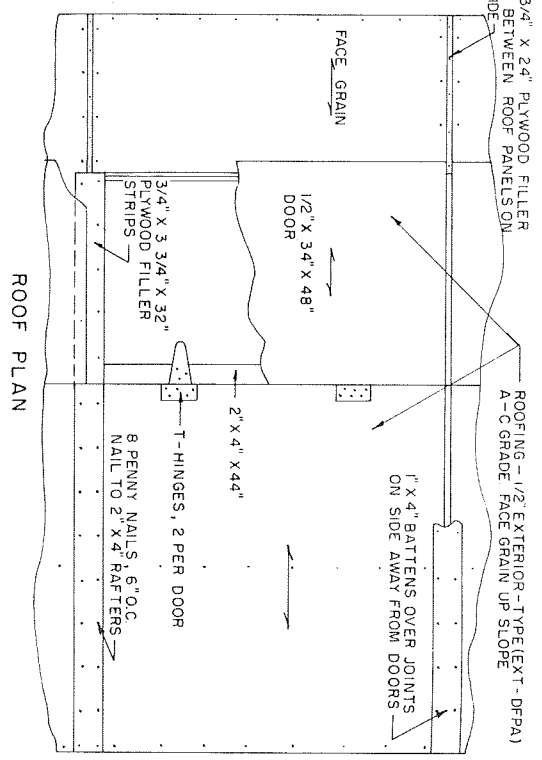
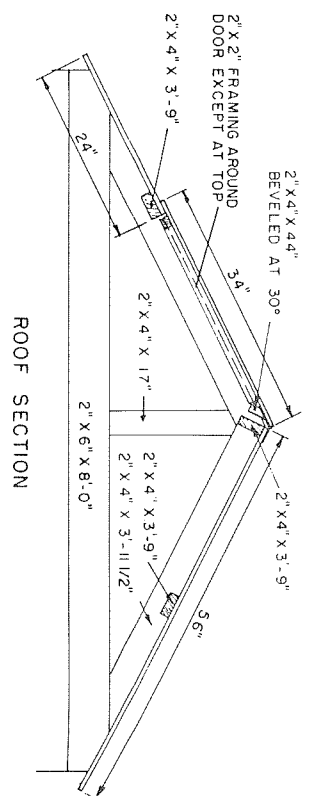
HANDLE AND ROD ASSEMBLY FOR
DRAW OFF DOORS

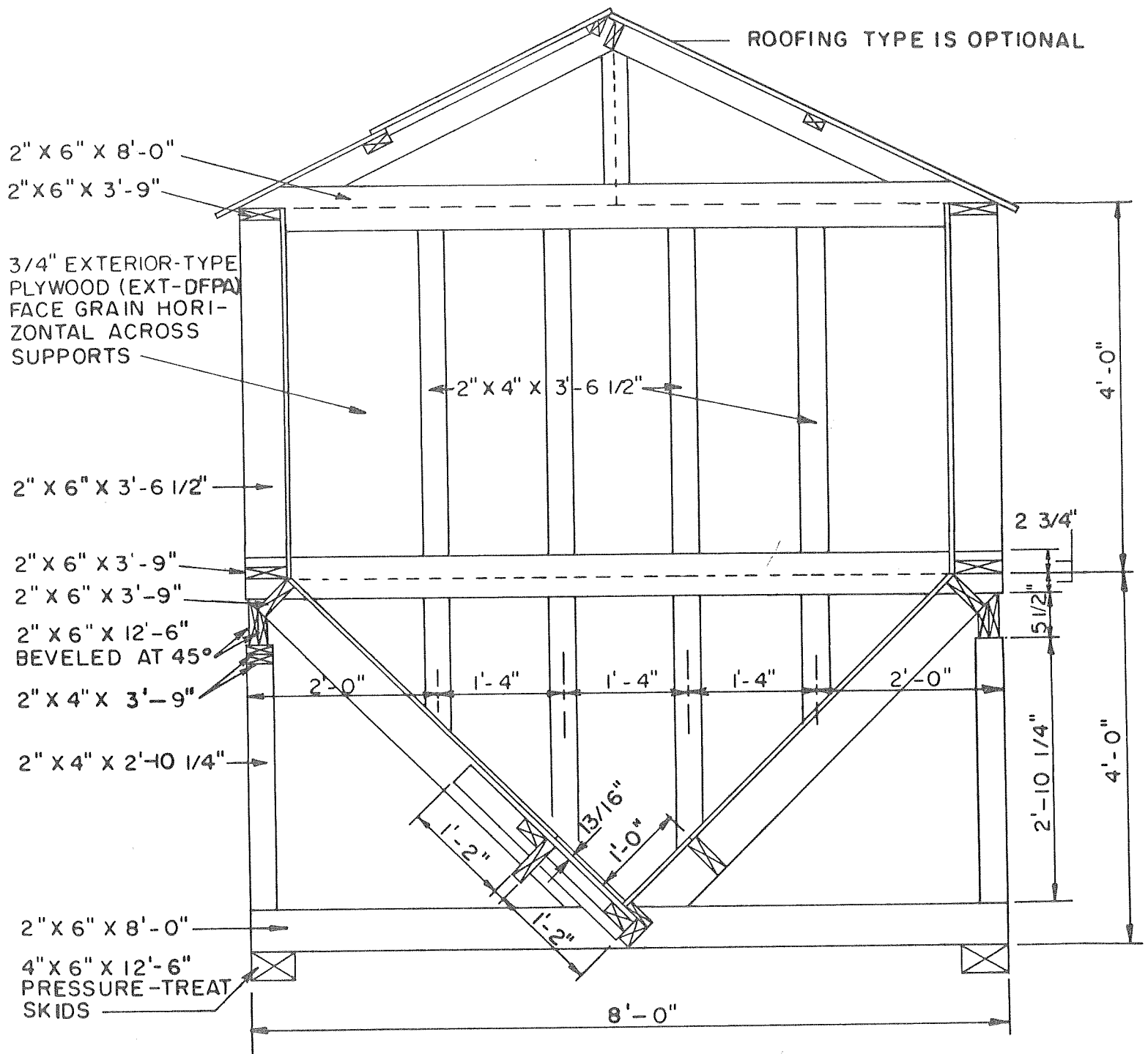




TYPICAL BULKHEAD

NOTES: USE 16 PENNY NAILS, 6" O.C. IN 2 ROWS, STAGGERED FOR BULKHEAD CONSTRUCTION.
STAGGER THREADED RODS IN ADJACENT BINS





TYPICAL CROSS SECTION

ALL PLYWOOD IS EXTERIOR-TYPE (EXT-DFPA)
 ROOF AND ROOF DOOR PLYWOOD IS 1/2" THICK.
 ALL OTHER PLYWOOD IS 3/4" THICK.