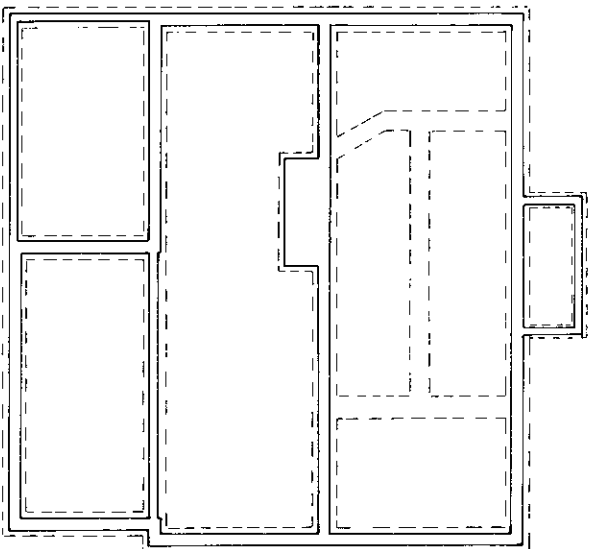
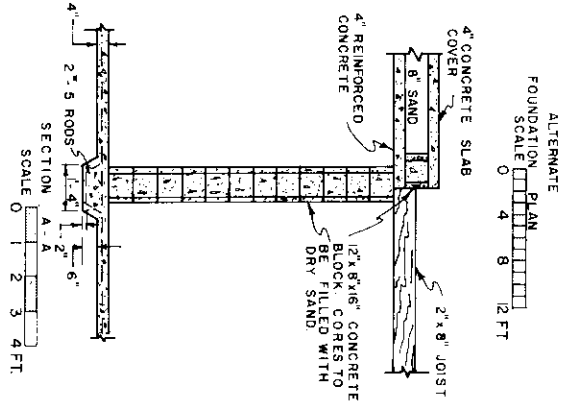


NOTE:  
THE FAMILY FALLOUT SHELTER FOR 8 PEOPLE HAS A PROTECTION FACTOR OF APPROXIMATELY 80



NOTE:  
EXTERIOR WALL 4" CONCRETE BLOCK OR WITH 4 BRICK OR STONE MASONRY VENER.



COOPERATIVE EXTENSION WORK IN AGRICULTURE AND HOME ECONOMICS			
DEPARTMENT OF AGRICULTURAL ENGINEERING			
UNIVERSITY OF MARYLAND			
AND UNITED STATES DEPARTMENT OF AGRICULTURE COOPERATING			
3 BEDROOM FARMHOUSE WITH FALLOUT SHELTER			
DATE 7/26/65	EX 7136S	SHEET 1 OF 1	