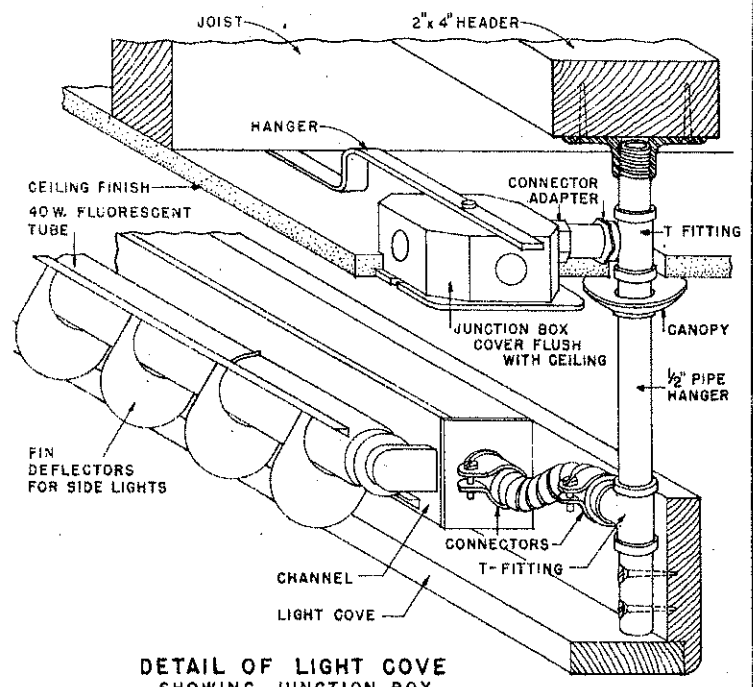
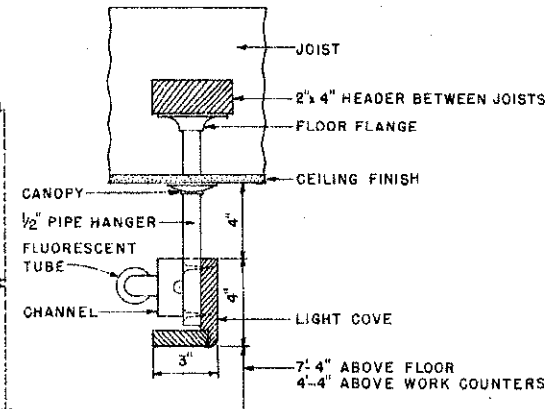


PLAN AT CEILING LEVEL



DETAIL OF LIGHT COVE SHOWING JUNCTION BOX



SECTION THROUGH LIGHT COVE SHOWING TYPICAL HANGER

COOPERATIVE EXTENSION WORK IN  
 AGRICULTURE AND HOME ECONOMICS  
 STATE OF NORTH DAKOTA  
 NORTH DAKOTA AGRICULTURAL COLLEGE  
 AND  
 UNITED STATES DEPARTMENT OF AGRICULTURE COOPERATING

LIGHTING SYSTEM FOR U-KITCHEN

U S D A	EX. 7101	SHEET 1 OF 1
---------	----------	--------------