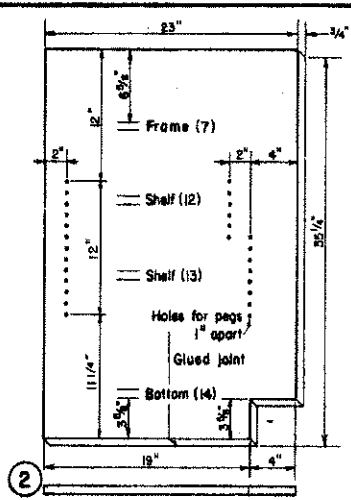
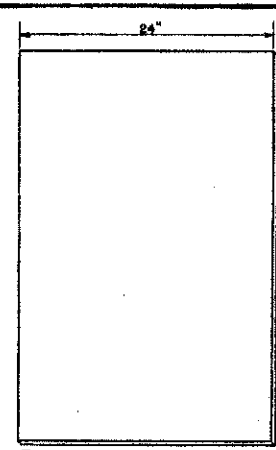


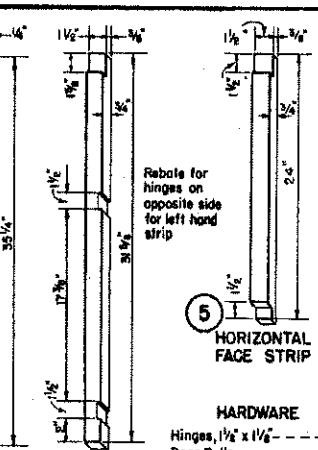
**1** CABINET TOP  
(Plywood)  
Cover with pressed wood or linoleum.  
Top extends 1" in front over cabinet.



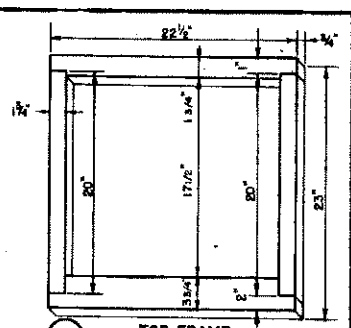
**2** SIDE PANELS  
(Cut two)



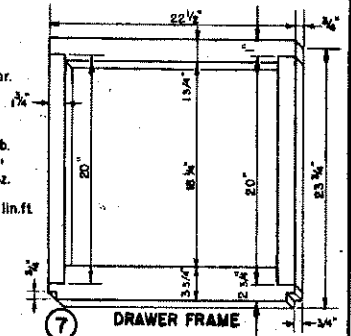
**3** BACK PANEL  
(Plywood)



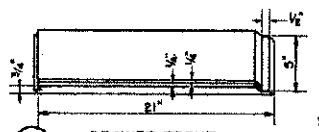
**4** VERTICAL FACE STRIPS  
(Cut two)



**6** TOP FRAME

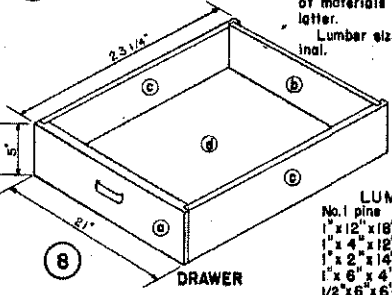


**7** DRAWER FRAME

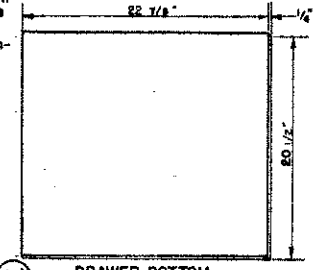


**8a** DRAWER FRONT

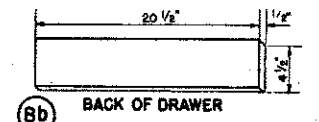
**NOTE**  
Side panels may be 3/4" plywood or 1" x 12" pine tongued and grooved and glued together. Bill of materials is based on the latter.  
Lumber sizes given are nominal.



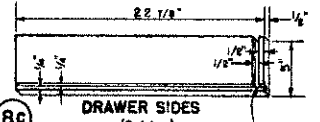
**8** DRAWER



**8d** DRAWER BOTTOM  
(Plywood)



**8b** BACK OF DRAWER



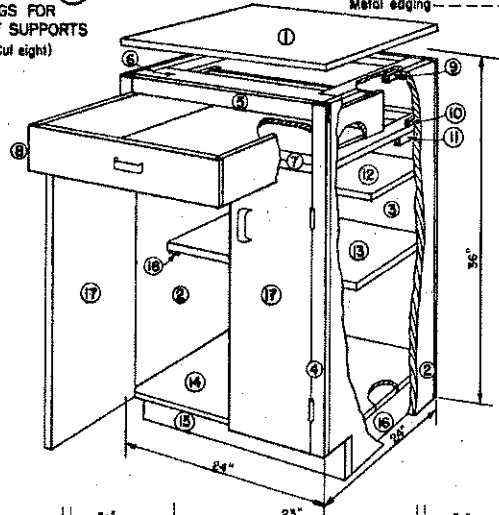
**8c** DRAWER SIDES  
(Cut two)  
Vertical groove at other end on opposite side

**LUMBER**

No. 1 pine	1 pc.
1" x 12" x 18'-0"	1 pc.
1" x 4" x 12'-0"	1 pc.
1" x 2" x 14'-0"	1 pc.
1" x 6" x 4'-0"	1 pc.
1/2" x 6" x 6'-0"	1 pc.
Plywood	
3/4" x 4'-0" x 4'-0"	1 pc.
1/4" x 4'-0" x 4'-0"	1 pc.
Pressedwood or linoleum	
24" x 28"	1 pc.
Wood dowels	
1/4" x 12"	1 pc.

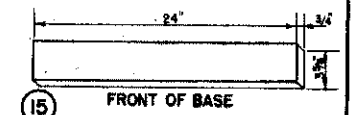


**18** PEGS FOR SHELF SUPPORTS  
(Cut eight)

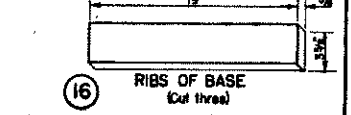


**HARDWARE**

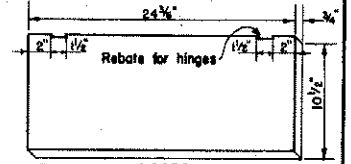
Hinges, 1 1/2" x 1 1/2"	2 pr.
Door Pulls	2
Drawer Pulls	1
Friction Catches	2
Finishing Nails, 4d	1/2 lb.
Finishing Nails, 6d	1/2 lb.
Wood Screws, No. 8-1 1/2"	1 doz.
Metal edging	1 1/2 lin. ft.



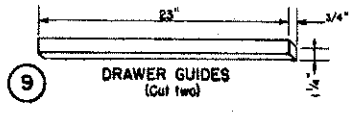
**15** FRONT OF BASE



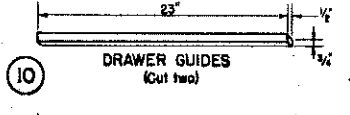
**16** RIBS OF BASE  
(Cut three)



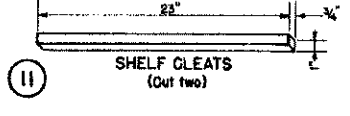
**17** DOORS  
(Cut two)



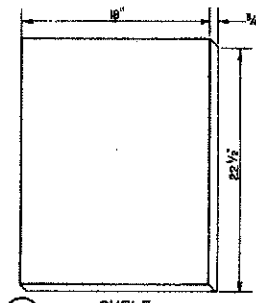
**9** DRAWER GUIDES  
(Cut two)



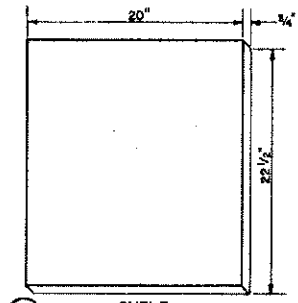
**10** DRAWER GUIDES  
(Cut two)



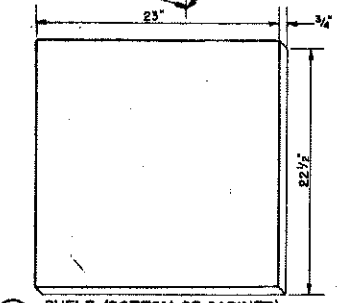
**11** SHELF CLEATS  
(Cut two)



**12** SHELF  
(Plywood)



**13** SHELF  
(Plywood)



**14** SHELF (BOTTOM OF CABINET)  
(Plywood)

**COOPERATIVE EXTENSION WORK IN AGRICULTURE AND HOME ECONOMICS**  
STATE OF INDIANA  
PURDUE UNIVERSITY  
AND  
UNITED STATES DEPARTMENT OF AGRICULTURE COOPERATING

**SERVING CABINET**

USDA #7 EX. 7037 SHEET 1 OF 1

DESIGNED BY BUREAU OF HUMAN NUTRITION AND HOME ECONOMICS U.S.D.A.  
STATE OF NORTH DAKOTA  
NORTH DAKOTA STATE UNIVERSITY  
OF AGRICULTURE AND APPLIED SCIENCE

10"