

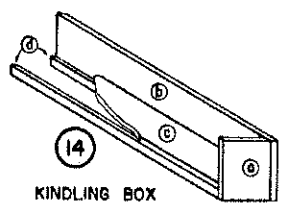
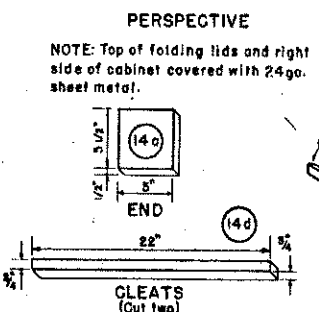
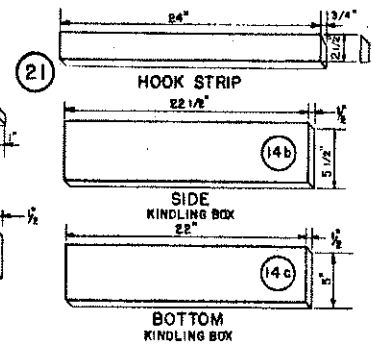
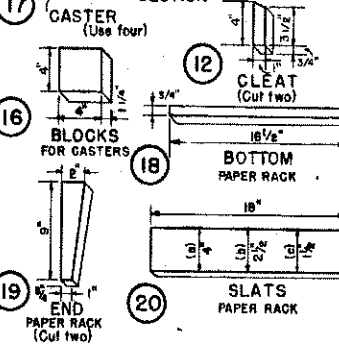
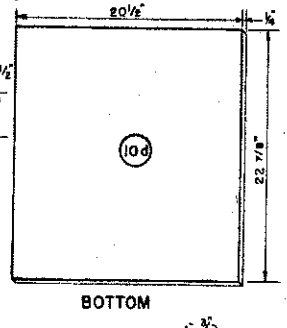
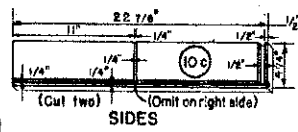
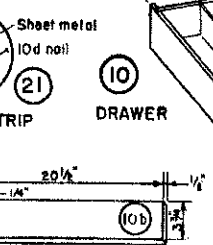
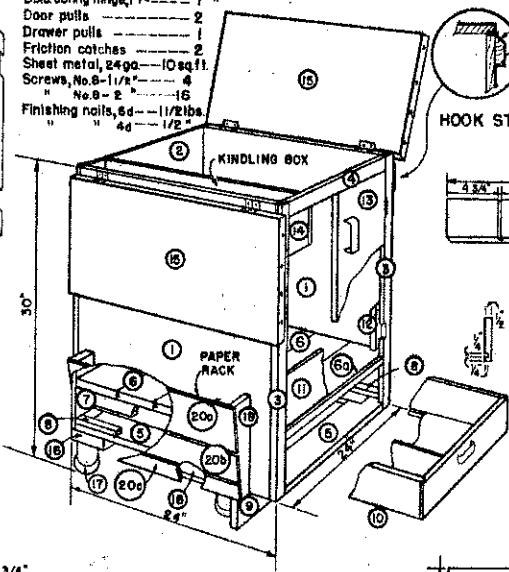
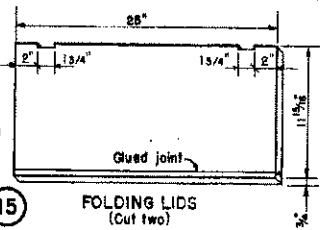
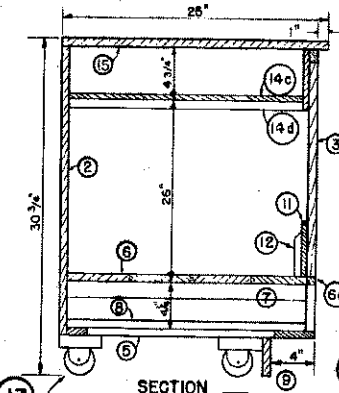
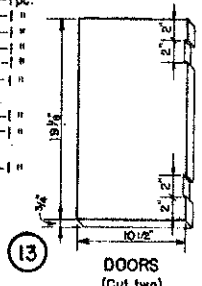
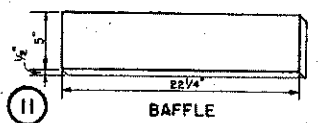
NOTE: Side panels may be No. 1 pine tongued and grooved and glued together as shown or 3/4" plywood.

LUMBER

- No. 1 pine
- 1" x 12" x 16'-0" — 1 pc.
- 1" x 6" x 10'-0" (l.g.) — 1 "
- 1" x 4" x 10'-0" — " "
- 1" x 2" x 16'-0" — " "
- 1/2" x 6" x 16'-0" — " "
- 2" x 6" x 2'-0" — " "
- Plywood
- 3/4" x 2'-0" x 3'-0" — " "
- 1/4" x 2'-0" x 4'-0" — " "
- Asbestos millboard
- 1/4" x 2'-0" x 3'-0" — " "

HARDWARE

- Hinges, 1 1/2" x 2" — 3 pr.
- Diabacting hinges, 1 3/4" — 1 "
- Door pulls — 2 "
- Drawer pulls — 2 "
- Friction catches — 2 "
- Sheet metal, 24 ga. — 10 sq. ft.
- Screws, No. 8-1 1/2" — 4 "
- " No. 8 — 2" — 16 "
- Finishing nails, 6d — 1/2 lb.
- " 4d — 1/2 "



COOPERATIVE EXTENSION WORK IN AGRICULTURE AND HOME ECONOMICS
STATE OF INDIANA
PURDUE UNIVERSITY
AND
UNITED STATES DEPARTMENT OF AGRICULTURE COOPERATING

WOOD BOX

USDA 47-EX 7036 SHEET 1 OF 1

DESIGNED BY BUREAU OF HUMAN NUTRITION AND HOME ECONOMICS U.S.D.A.